





INDUSTRY FIRST 1080p UST PROJECTOR EH320UST



1080p Ultra Short Throw Projector For Business and Education



-  **Industry-leading 1080p 4000 lumen ultra short throw projector with 20,000:1 contrast ratio**
-  **Large, clear, and shadow-free 100" image from less than 2' away - IDEAL for installations with limited space**
-  **Low total cost of ownership with 6500 hour lamp life**
-  **Extensive connectivity, robust network control, and powerful 16-Watt speaker**



The Optoma EH320UST is the market's first Full HD 1080p Ultra Short Throw DLP® Projector. The EH320UST is Optoma's feature-packed next generation ultra short throw projector for business and education users who demand bright 1080p projection.

The EH320UST sports impressive ultra bright 4000 lumen image, 20,000:1 contrast ratio, powerful 16-Watt speaker and amazing 6500-hour lamp life. With an industry-leading throw ratio of 0.25, it allows for a 100" image from a throw distance of only 22 inches.

The EH320UST is flexible and robust providing full network control support for popular management suites such as Crestron and PJ Link, along with support for RS-232C and Telnet-based commands. Lamp life can exceed 6000 hours in ECO+ mode and the 16-Watt speaker is crisp and clear, enhancing the effectiveness of presentations containing audio and video.

CONNECTIVITY (May require optional accessories)



Computers



Smart Phones



Tablets



3D Blu-ray/DVD Players



Camcorders



Digital Cameras



Apple TV®



Chromecast™

INDUSTRY FIRST UST PROJECTOR — EH320UST

OPTICAL/TECHNICAL SPECIFICATIONS

Display Technology	Single 0.65" DC3 DMD DLP® Technology by Texas Instruments™
Native Resolution	Full HD 1080p (1920 x 1080)
Maximum Resolution	WUXGA (1920 x 1200)
Brightness	4000 Lumens
Contrast Ratio	20000:1 (full on/full off)
Displayable Colors	1.07 Billion
Lamp Life*	3000/5000/5000/6500 Hrs (Bright/ECO/Dynamic/ECO+)
Projection Method	Front, rear, ceiling mount, table top
Keystone Correction	±40° Vertical
Uniformity	>85%
Offset	118%
Aspect Ratio	16:9, 4:3, 16:10, LBX, Native, Auto
Throw Ratio	0.25:1 (distance/width), ±5% Variance
Projection Distance	17.7"– 22.1" (0.45–0.56 m)
Image Size (Diagonal)	80"–100" (2.03–2.54 m) Diagonal 16:9
Projection Lens	F/2.4; f=3.72 mm, Fixed Zoom
Zoom	Fixed Zoom
Audio	One 16-Watt speaker
Noise Level	Min 29dB–Max 36dB
Remote Control	IR remote
Operating Temperature	41–104°F (5–40°C), 85% max humidity
Power Supply	AC input 100–240V, 50–60Hz, auto-switching
Power Consumption	320W Bright Mode / 260W Eco mode (<0.5W Standby)
High Altitude	Operating Temp @ Sea Level to 10000 feet = 23C (max); MUST manually switch to high altitude mode @ 5000 feet & above (using OSD) to maintain optimal functionality.

COMPATIBILITY SPECIFICATIONS

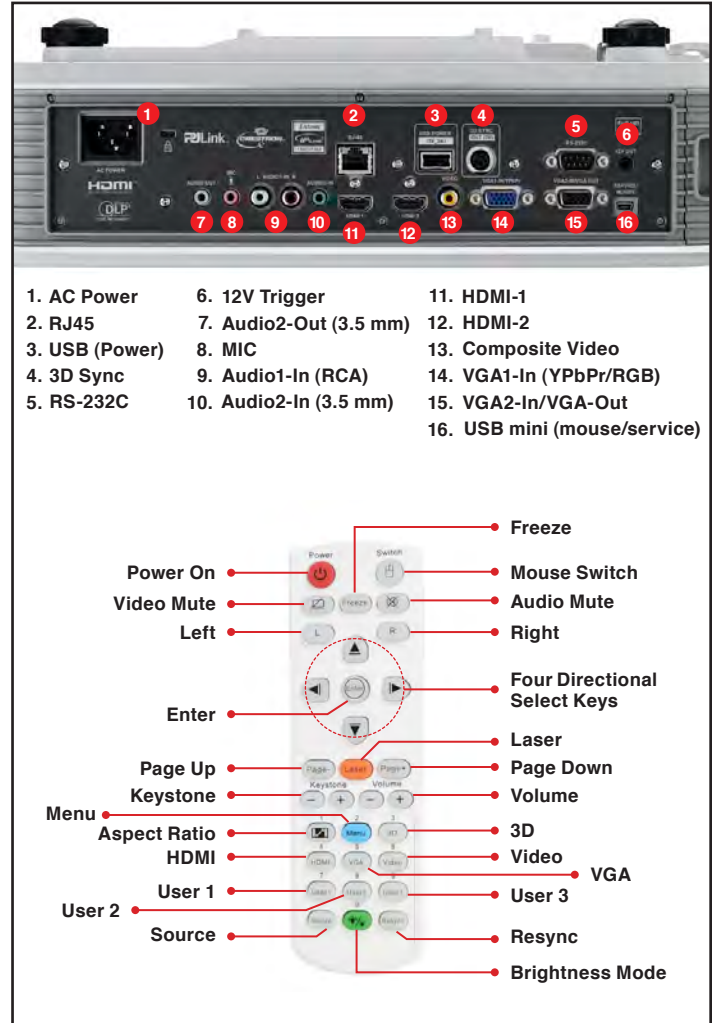
Computer Compatibility	UXGA, SXGA, WXGA, HD, XGA, SVGA, VGA, Mac
Video Input Compatibility	PAL (B, D, G, H, I, M, N, 576i/p), NTSC (M, 4.43/3.58 MHz, 480i/p), SECAM (B, D, G, K, K1, L) HD (1080i, 720p)
3D Compatibility¹	Supports all HDMI 1.4a mandatory 3D formats (Frame pack, side-by-side, top-bottom) and up converts frame rate from 60Hz to 120Hz or 24Hz to 144Hz (i.e 60 or 72 frames per eye). 3D glasses are needed and are sold separately. Refer to user manual for details.
Vertical Scan Rate	24–85Hz (120Hz for 3D)
Horizontal Scan Rate	15.3–91.1kHz
User Controls	Complete on-screen menu, adjustments in 25 languages
I/O Connection Ports	2x HDMI (1.4a 3D support), 3D-Sync Port Out, VGA1-In (YPbPr/RGB), VGA2-In/VGA-Out (shared), Composite Video, Audio1-In (analog RCA), Audio2-In (3.5 mm), Audio-Out (3.5 mm), RJ45, RS-232C, mini USB (remote mouse/service), 12V trigger, Mic, USB-A (power)

PHYSICAL SPECIFICATIONS

Security	Kensington® lock port, security bar and keypad lock
Weight	10.53 lb (4.78 kg)
Dimensions (W x H x D)	15.15" x 4.72" x 12.20" (385 x 120 x 310 mm)

*Lamp life is dependent on many factors, including lamp mode, display mode, usage, environmental conditions and more. Lamp brightness can decrease over time.

¹3D content can be viewed with either RF or DLP Link active shutter 3D glasses when projector is used with a compatible 3D player. RF 3D glasses require the use of an RF 3D emitter and a projector with a 3D VESA Sync port. Please visit www.OptomaUSA.com for more information.



Warranty

3-Year Optoma Express Service, 1-Year on Lamp

What's in the Box

EH320UST projector, AC power cord, VGA cable, USB cable, remote control, batteries, quick start card, CD user manual

Optional Accessories

HDMI cable, ceiling mount, component to VGA cable, RS-232 cable, Optoma screen, DLP® Link™ 3D glasses, RF 3D glasses, RF 3D emitter, Wireless HDMI Solution, and Adapter Plate for Epson Arm Mount

Accessory Part Numbers

Lamp: SP.72701GC01	Remote: SP.72702GC01
Wireless HDMI Solution: WHD200	Wireless VGA Dongle: BI-EXTBG03
VGA to component adaptor: BC-VGCRXY00	RF 3D glasses: ZF2300GLASSES
DLP® Link™ 3D glasses: ZD302	RF 3D emitter: BC300
Adapter plate for Epson arm mount: EWMA2000	Optoma Wall mount: OPCWM1100

UPC 796435 41 946 2

www.OptomaUSA.com

