

## SIX PAR Z19 IP™

user manual

©2016 **ELATION PROFESSIONAL** all rights reserved. Information, specifications, diagrams, images, and instructions herein are subject to change without notice. ELATION PROFESSIONAL logo and identifying product names and numbers herein are trademarks of ELATION PROFESSIONAL. Copyright protection claimed includes all forms and matters of copyrightable materials and information now allowed by statutory or judicial law or hereinafter granted. Product names used in this document may be trademarks or registered trademarks of their respective companies and are hereby acknowledged. All non-ELATION brands and product names are trademarks or registered trademarks of their respective companies.

**ELATION PROFESSIONAL** and all affiliated companies hereby disclaim any and all liabilities for property, equipment, building, and electrical damages, injuries to any persons, and direct or indirect economic loss associated with the use or reliance of any information contained within this document, and/or as a result of the improper, unsafe, insufficient and negligent assembly, installation, rigging, and operation of this product.

**Elation Professional USA** | 6122 S. Eastern Ave. | Los Angeles, CA. 90040

323-582-3322 | 323-832-9142 fax | [www.elationlighting.com](http://www.elationlighting.com) | [info@elationlighting.com](mailto:info@elationlighting.com)

**Elation Professional B.V.** | Junostraat 2 | 6468 EW Kerkrade, The Netherlands

+31 45 546 85 66 | +31 45 546 85 96 fax | [www.elationlighting.eu](http://www.elationlighting.eu) | [info@elationlighting.eu](mailto:info@elationlighting.eu)

## DOCUMENT VERSION



Please check [www.elationlighting.com](http://www.elationlighting.com) for the latest revision/update of this manual.

Date	Document Version	Software Version $\geq$	DMX Channel Modes	Notes
09/25/16	1	102	7 / 9 / 10 / 14	Initial release.

## CONTENTS

General Information	4
Warranty	7
Safety Instructions and Guidelines	8
Overview	10
Installation	11
System Menu	14
DMX Channel Functions And Values	17
Cleaning and Maintenance	20
Technical Specifications	21
Optional Accessories	23

## GENERAL INFORMATION

### INTRODUCTION

Congratulations, you have just purchased one of the most innovative and reliable IP65 rated lighting fixtures on the market today! This fixture has been designed to perform reliably for years when the guidelines in this booklet are followed. Please read and understand the instructions in this manual carefully and thoroughly before attempting to operate this unit. These instructions contain important information regarding safety during use and maintenance.



### IP65 RATED

An IP rated lighting fixture is one, which is commonly installed in outdoor environments and has been designed with an enclosure that effectively protects the ingress (entry) of external foreign objects such as dust and water. The **International Protection (IP)** rating system is commonly expressed as "IP" (Ingress Protection) followed by two numbers (i.e. IP65) where the numbers define the degree of protection. The first digit (Foreign Bodies Protection) indicates the extent of protection against particles entering the fixture and the second digit (Water Protection) indicates the extent of protection against water entering the fixture. An IP65 rated lighting fixture is one, which has been designed and tested to protect against the ingress of dust (6) and high-pressure water jets from any direction (5).



### MARINE / COASTAL ENVIRONMENT INSTALLATIONS!

Please note although this fixture is IP rated, the fixture is **NOT** suitable for marine and/or coastal environment installations. Installing this fixture in a marine and/or coastal environment may cause corrosion and/or excessive wear to the interior and/or exterior components of the fixture. Damages and/or performance issues resulting from installation in a marine and/or coastal environment will void the manufacturer's warranty and will **NOT** be subject to any warranty claims and/or repairs.



**ENSURE ALL CONNECTIONS AND END CAPS ARE PROPERLY SEALED WITH A NON-CONDUCTIVE DIELECTRIC GREASE (AVAILABLE AT MOST ELECTRICAL SUPPLIERS) TO PREVENT WATER INGRESS/CONDENSATION AND/OR CORROSION.**



### OPTIONAL CORROSION-RESISTANT COATING

Optional Corrosion-Resistant Coatings may be available for this fixture. Please consult your **Elation Professional** sales representative for details.

## **UNPACKING**

Every fixture has been thoroughly tested and has been shipped in perfect operating condition. Carefully check the shipping carton for damage that may have occurred during shipping. If the carton appears to be damaged, carefully inspect your unit for damage and be sure all accessories necessary to operate the unit have arrived intact. In the event damage has been found or parts are missing, please contact our customer support team for further instructions. Please do not return this unit to your dealer without first contacting customer support at the number listed below. Please do not discard the shipping carton in the trash. Please recycle whenever possible.

## **BOX CONTENTS**

(1) powerCON TRUE1 Cable

## **CUSTOMER SUPPORT**

Elation Professional® provides a customer support line, to provide set up help and to answer any question should you encounter problems during your set up or initial operation. You may also visit us on the web at [www.elationlighting.com](http://www.elationlighting.com) for any comments or suggestions. For service related issue please contact Elation Professional®.

### **ELATION SERVICE USA - Monday - Friday 8:00am to 5:00pm PST**

**Voice: 323-582-3322**

**Fax: 323-832-9142**

E-mail: [support@elationlighting.com](mailto:support@elationlighting.com)

### **ELATION SERVICE EUROPE - Monday - Friday 08:30 to 17:00 CET**

**Voice: +31 45 546 85 30**

**Fax: +31 45 546 85 96**

E-mail: [support@elationlighting.eu](mailto:support@elationlighting.eu)

## WARRANTY REGISTRATION

Please complete and mail in the enclosed warranty card or register online: <http://www.elationlighting.com/Login.aspx> to validate your purchase. All returned service items whether under warranty or not, must be freight pre-paid and accompany a return authorization (R.A.) number. The R.A. number must be clearly written on the outside of the return package. A brief description of the problem as well as the R.A. number must also be written down on a piece of paper and included in the shipping container. If the unit is under warranty, you must provide a copy of your proof of purchase invoice. Items returned without a R.A. number clearly marked on the outside of the package will be refused and returned at customer's expense. You may obtain a R.A. number by contacting customer support.



### **IMPORTANT NOTICE!**

**There are no user serviceable parts inside this unit. Do not attempt any repairs yourself; doing so will void your manufactures warranty. Damages resulting from modifications to this fixture and/or the disregard of safety and general user instructions found in this user manual void the manufactures warranty and are not subject to any warranty claims and/or repairs.**

## LIMITED WARRANTY

A. Elation Professional® hereby warrants, to the original purchaser, Elation Professional® products to be free of manufacturing defects in material and workmanship for a period of two years (730 days), and Elation Professional® product rechargeable batteries to be free of manufacturing defects in material and workmanship for a period of six months (180 days), from the original date of purchase. This warranty excludes discharge lamps and all product accessories. This warranty shall be valid only if the product is purchased within the United States of America, including possessions and territories. It is the owner's responsibility to establish the date and place of purchase by acceptable evidence, at the time service is sought.

B. For warranty service, send the product only to the Elation Professional® factory. All shipping charges must be pre-paid. If the requested repairs or service (including parts replacement) are within the terms of this warranty, Elation Professional® will pay return shipping charges only to a designated point within the United States. If any product is sent, it must be shipped in its original package and packaging material. No accessories should be shipped with the product. If any accessories are shipped with the product, Elation Professional® shall have no liability what so ever for loss and/or or damage to any such accessories, nor for the safe return thereof.

C. This warranty is void if the product serial number and/or labels are altered or removed; if the product is modified in any manner which Elation Professional® concludes, after inspection, affects the reliability of the product; if the product has been repaired or serviced by anyone other than the Elation Professional® factory unless prior written authorization was issued to purchaser by Elation Professional®; if the product is damaged because not properly maintained as set forth in the product instructions, guidelines and/or user manual.

D. This is not a service contract, and this warranty does not include any maintenance, cleaning or periodic check-up. During the periods as specified above, Elation Professional® will replace defective parts at its expense, and will absorb all expenses for warranty service and repair labor by reason of defects in material or workmanship. The sole responsibility of Elation Professional® under this warranty shall be limited to the repair of the product, or replacement thereof, including parts, at the sole discretion of Elation Professional®. All products covered by this warranty were manufactured after January 1, 1990, and bare identifying marks to that effect.

E. Elation Professional® reserves the right to make changes in design and/or performance improvements upon its products without any obligation to include these changes in any products theretofore manufactured.

F. No warranty, whether expressed or implied, is given or made with respect to any accessory supplied with the products described above. Except to the extent prohibited by applicable law, all implied warranties made by Elation Professional® in connection with this product, including warranties of merchantability or fitness, are limited in duration to the warranty periods set forth above. And no warranties, whether expressed or implied, including warranties of merchantability or fitness, shall apply to this product after said periods have expired. The consumer's and/or dealer's sole remedy shall be such repair or replacement as is expressly provided above; and under no circumstances shall Elation Professional® be liable for any loss and/or damage, direct and/or consequential, arising out of the use of, and/or the inability to use, this product.

G. This warranty is the only written warranty applicable to Elation Professional® products and supersedes all prior warranties and written descriptions of warranty terms and conditions heretofore published.

## SAFETY INSTRUCTIONS AND GUIDELINES

This fixture is an extremely sophisticated piece of electronic equipment. To guarantee a smooth operation, it is important to follow all instructions and guidelines in this manual. The manufacturer of this device is not responsible for injury and/or damages resulting from the misuse of this fixture due to the disregard of the information printed in this manual. Only qualified and/or certified personnel should perform installation of this fixture and only the original rigging parts (omega brackets) included with this fixture should be used for installation. Any modifications to the fixture and/or the mounting hardware included will void the original manufacturer's warranty and increase the risk of damage and/or personal injury.



**PROTECTION CLASS 1 - FIXTURE MUST BE PROPERLY GROUNDED**

**DO NOT PLUG FIXTURE INTO A DIMMER PACK!**



**NEVER OPEN THIS FIXTURE WHILE IN USE!**

**UNPLUG POWER BEFORE SERVICING FIXTURE!**

**NEVER TOUCH FIXTURE DURING OPERATION, AS IT MAY BE HOT!**

**KEEP FLAMMABLE MATERIALS AWAY FROM FIXTURE!**



**NEVER LOOK DIRECTLY INTO THE LIGHT SOURCE!**

**RETINA INJURY RISK - MAY INDUCE BLINDNESS!**

**SENSITIVE PERSONS MAY SUFFER AN EPILEPTIC SHOCK!**



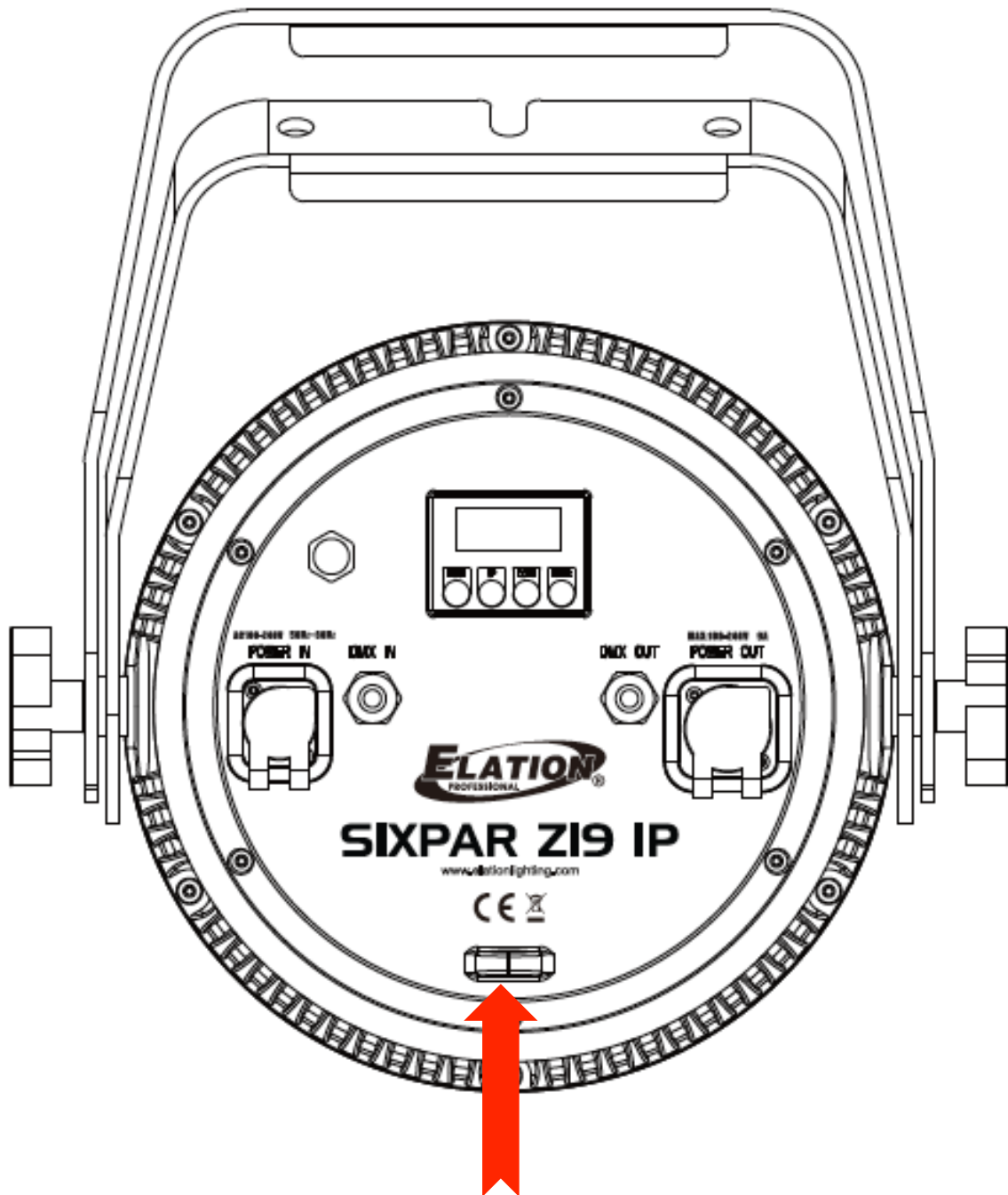
**ENSURE ALL CONNECTIONS AND END CAPS ARE PROPERLY SEALED WITH A DIELECTRIC GREASE (AVAILABLE AT MOST ELECTRICAL SUPPLIERS) TO PREVENT WATER CORROSION AND/OR ELECTRICAL SHORT CIRCUIT.**



## SAFETY INSTRUCTIONS AND GUIDELINES

- **DO NOT TOUCH** the fixture housing during operation. Turn OFF the power and allow approximately 15 minutes for the fixture to cool down before serving.
- **DO NOT** shake fixture, avoid brute force when installing and/or operating fixture.
- **DO NOT** operate fixture if the power cord has become frayed, crimped and/or damaged. If the power cord is damaged, replace it immediately with a new one of similar power rating.
- **DO NOT** block any air ventilation slots. All fan and air inlets must remain clean and never blocked. Allow approx. 6" (15cm) between fixture and other devices or a wall for proper cooling.
- When installing fixture in a suspended environment, always use mounting hardware that is no less than M10 x 25 mm, and always install fixture with an appropriately rated safety cable.
- Always disconnect fixture from main power source before performing any type of service and/or cleaning procedure. Only handle the power cord by the plug end, never pull out the plug by tugging the wire portion of the cord.
- During the initial operation of this fixture, a light smoke or smell may emit from the interior of the fixture. This is a normal process and is caused by excess paint in the interior of the casing burning off from the heat associated with the lamp and will decrease gradually over time.
- Consistent operational breaks will ensure the fixture will function properly for many years to come.
- Use the original packaging and materials to transport the fixture in for service.

## OVERVIEW



**SAFETY CABLE RIGGING POINT**

## INSTALLATION



### **FLAMMABLE MATERIAL WARNING**

Keep fixture at least 5.0 ft (1.5m) away from any flammable materials, decorations, pyrotechnics, etc.



### **ELECTRICAL CONNECTIONS**

A qualified electrician should be used for all electrical connections and/or installations.

## CAUTIONS



**ENSURE ALL CONNECTIONS AND END CAPS ARE PROPERLY SEALED WITH A DIELECTRIC GREASE (AVAILABLE AT MOST ELECTRICAL SUPPLIERS) TO PREVENT WATER CORROSION AND/OR ELECTRICAL SHORT CIRCUIT.**

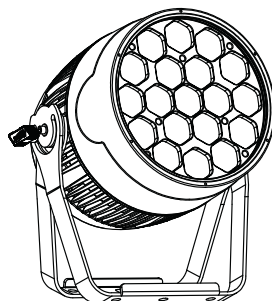
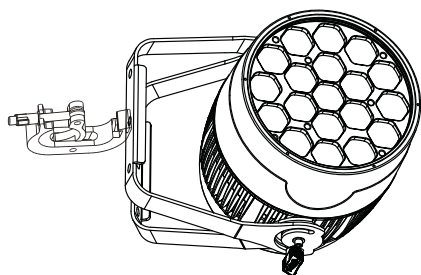
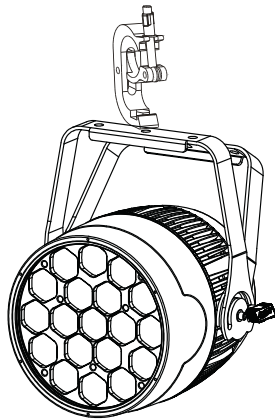
- For added protection, mount the fixture in areas outside walking paths, seating areas, or in areas where unauthorized personnel might reach the fixture.
- Ambient operating temperature range for this fixture is **5° to 113°F. (-15° to 45°C)**. Do not use the fixture under or above this temperature.
- Before mounting the fixture to any surface, make sure the installation area can hold a minimum point load of 10 times the weight of the fixture.
- Fixture installation must always be secured with a secondary safety attachment, such as an appropriate safety cable.
- Never stand directly below the device when mounting, removing or servicing.

## CLAMP INSTALLATION

The fixture provides an integrated mounting dual bracket / yoke. When mounting this fixture to truss be sure to secure an appropriately rated clamp to the mounting bracket / yoke using a M10 screw fitted through the center hole. Be sure to attach an appropriate **Safety Cable** (not included) to the fixture using the safety cable rigging point integrated into the back of the fixture.

## RIGGING

Overhead rigging requires extensive experience, including amongst others calculating working load limits, installation material being used, and periodic safety inspection of all installation material and the fixture. If you lack these qualifications, do not attempt the installation yourself. Improper installation can result in bodily injury. Fixture is fully operational in the specific mounting positions illustrated below.



### **S A F E T Y C A B L E**

**ALWAYS USE A SAFETY CABLE  
WHENEVER INSTALLING THIS FIXTURE  
IN A SUSPENDED ENVIRONMENT TO  
ENSURE THE FIXTURE WILL NOT DROP  
IF THE CLAMP FAILS.**

## POWER LINKING

Max number of **SIX PAR Z19 IP™** units power linked together:

**3 units @120V | 6 units @240V**



**NOTE: USE CAUTION WHEN POWER LINKING OTHER FIXTURES TO SIX PAR Z19 IP™!**

**POWER CONSUMPTION OF OTHER LIGHTING FIXTURES WILL VARY!**

**ALWAYS CHECK MAX AMP OUT RATING PRINTED ON THE REAR CONNECTION PANEL!**

## SYSTEM MENU

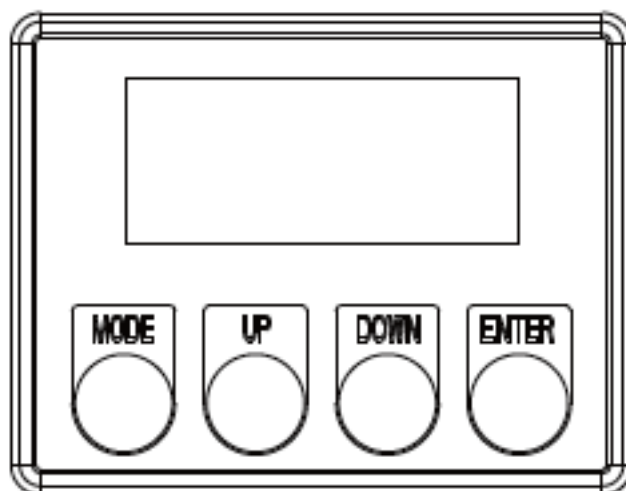
The fixture includes an easy to navigate system menu control panel display where all necessary setting adjustments are made. (See image below) During normal operation, pressing the **MODE** button once will access the main menu. Once in the main menu you can navigate through the different functions and access sub-menus with the **UP** and **DOWN** buttons. Once you reach a field that requires adjusting, press the **ENTER** button to activate that field and use the **UP** and **DOWN** buttons to adjust the field. Pressing the **ENTER** button once more will confirm your setting. You may exit the main menu at any time without making any adjustments by pressing the **MODE/ESC** button.

### LCD CONTROL PANEL LOCKOUT FEATURE

When the **Key Lock** menu (**Function | LCD. Set | Key Lock**) is set to **ON** (default setting); the LCD control panel display will turn OFF and become LOCKED after non-use. To UNLOCK, press the **ENTER** button followed by pressing and holding the **MODE** button until the LCD control panel display is UNLOCKED.

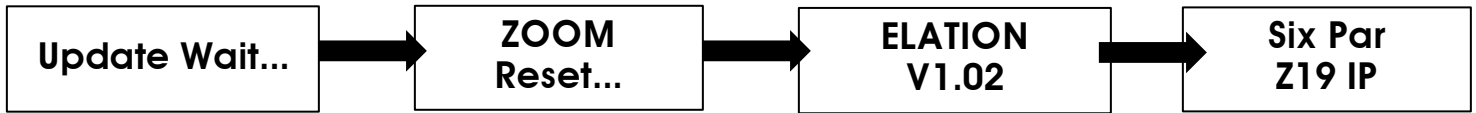
When the **Key Lock** menu is set to **ON1** and is LOCKED, follow these steps to UNLOCK:

1. When locked, the display will show: **LOCKED\*\*\*\*\***
2. Press **UP**, then the display will change to: **LOCKED\*\*\*\*** (one \* disappears)
3. Press **DOWN**, then the display will change to: **LOCKED\*\*\*** (two \* disappear)
4. Press **UP**, then the display will change to: **LOCKED\*\*** (three \* disappear)
5. Press **DOWN**, then the display will change to: **LOCKED\*** (4 \* disappear)
6. Press **ENTER**, then the display will change to **LOCKED** and then become unlocked.



## INFORMATION DISPLAYED DURING INITIAL POWER ON

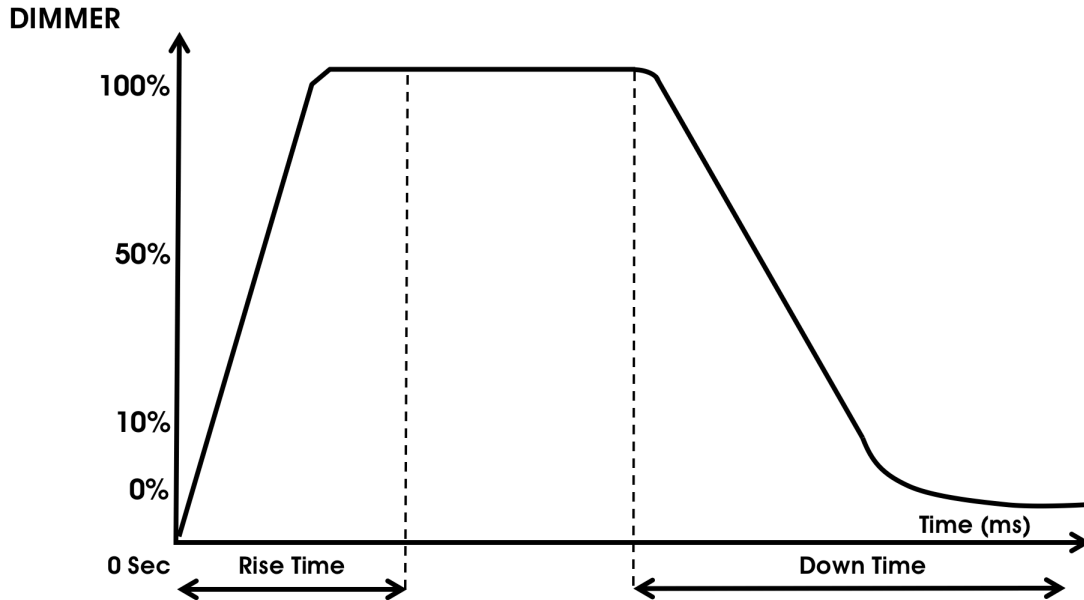
When the fixture is initially powered ON, the display shows the following information:



ELATION© SIX PAR Z19 IP™ SYSTEM MENU				
Features are subject to change without any prior written notice.				
MAIN MENU	SUB MENU	OPTIONS / VALUES (Default Settings in BOLD)		DESCRIPTION
Set ADDR	Set ADDR	<b>001</b> ~ 506		DMX Address Setting
UserMode		<b>CH:07</b> , CH:09, CH:10, CH:14		Set DMX Channel / User Mode
Function	DimCurve	<b>Standard</b> , Stage, TV, Architectur, Theatre		Set Dimmer Curve Mode
	No DMX	<b>Hold</b> / Blackout / Program		Function If NO DMX Detected
	ZOOM	<b>000</b> - 255		Zoom Control for Auto Run Programs
	AUTO RUN	FQN: <b>01</b> -99		Set Number of Times Internal Program Repeats
	1. STATC	CL: <b>R</b> , G, B, RG, GB, RB, RGB, BLAC		Internal Program # 1
		STR: 000- <b>255</b>		Select Color and Strobe Values
	2. CHANG6	SPEED: <b>01</b> -99		Internal Program #2
		STR: 000- <b>255</b>		Select Color and Strobe Values
	3CHANG30	SPEED: <b>01</b> -99		Internal Program #3
		STR: 000- <b>255</b>		Select Color and Strobe Values
	4.FADE	SPEED: <b>01</b> -99		Internal Program #4
		STR: 000- <b>255</b>		Select Color and Strobe Values
	Macros	<b>00</b> -63		Select Color Macro Value
	Zoom	<b>000</b> -255		Select Color Macro Zoom Value
	LCD.Set	Backligh	02~60m <b>05m</b>	LCD Backlight Shut Off Time
		Key Lock	<b>ON</b> / ON1, OFF	Control Front Panel Buttons Key Lock
DisFlash		<b>ON</b> / OFF	Display flashes when NO DMX	
DFSET	<b>ON</b> / <b>OFF</b>		Restore Factory Settings	
TEMP	<b>Fahren</b> / Celsius		Temperature Switch Between F° / C°	
Show Mode / Illumina Mode				
Info	TimeInfo	Current	XXXX (Hours)	Fixture Run Time From Power ON
		TotalTim	XXXX (Hours)	Fixture Total Run Time
		Last Clea	XXXX (Hours)	Clear Fixture Last Run Time
		TimerPIN	PIN= <b>066</b>	Enter PIN to Access Clear Last. Menu
	TempInfo	xxx°F	XXX F° / C°	Temperature in Fixture Head
	Modellnf	<b>SixPar Z19 IP</b>		Display Model Name
	Software	1U	≥V102	Software Versions
2U		≥V102		
ErrorInf	Error Record 1 ~ Error Record 10		Display 10 Recent Error Messages	
ZoomRset	Reset. M	ZOOM		Reset of Zoom Motor
	Calibrate	Password	Password= <b>050</b>	Calibration of Zoom Motor
SLAVE	SLAVE			Slave Mode
Manual	Manual	ZOOM	<b>000</b> - 255	Set Manual Zoom Value
		Dimmer	<b>000</b> - 255	Set Manual Master Dimmer Value
		CW	<b>000</b> - 255	Set Manual Cool White Value
		WW	<b>000</b> - 255	Set Manual Warm White Value
		Strobe	<b>000</b> - 255	Set Manual Strobe Value

### Function - DimCurve

Select desired DIMMER MODE (**Standard**, Stage, TV, Architectural, Theatre).



Dimming Curve Ramp Effect	0 sec Fade Time		1 sec Fade Time	
	Rise Time (ms)	Down Time (ms)	Rise Time (ms)	Down Time (ms)
Standard (default)	0	0	0	0
Stage	780	1100	1540	1660
TV	1180	1520	1860	1940
Architectural	1380	1730	2040	2120
Theatre	1580	1940	2230	2280



## DMX CHANNEL FUNCTIONS AND VALUES

ELATION© SIX PAR Z19 IP™					
DMX Channel Values / Functions (14 Total Channels)					
Features are subject to change without any prior written notice.					
DMX CHANNEL MODE				VALUE	FUNCTION
07CH	09CH	10CH	14CH		
1	1	1	1	0-255	RED LED - All LEDs Red (0-Black - 255-100%)
2	2	2	2	0-255	GREEN LED - All LEDs Green (0-Black - 255-100%)
3	3	3	3	0-255	BLUE LED - All LEDs Blue (0-Black - 255-100%)
4	4	4	4	0-255	WHITE LED - All LEDs White (0-Black - 255-100%)
5	5	5	5	0-255	AMBER LED - All LEDs Amber (0-Black - 255-100%)
6	6	6	6	0-255	UV LED - All LEDs UV (0-Black - 255-100%)
7	7	7	7	0-255	ZOOM Zoom 0% (5 Degrees) to 100% (45 Degrees)
	8	8	8	0-255	MASTER DIMMER 0 to 100%
	9	9	9	0-255	MASTER DIMMER FINE (16 bit) 0 to 100%
		10	10		SHUTTER / STROBE
				0-31	NO Function
				32-95	Variable Strobe Effect SLOW to FAST
				96-127	LEDs ON
				128-159	Pulse Effect In Sequence SLOW to FAST
				160-191	LEDs ON
				192-223	Random Strobe Effect SLOW to FAST
				224-255	LEDs ON

ELATION© SIX PAR Z19 IP™					
DMX Channel Values / Functions (14 Total Channels)					
Features are subject to change without any prior written notice.					
DMX CHANNEL MODE				VALUE	FUNCTION
07CH	09CH	10CH	14CH		
					<b>COLOR MACROS</b>
				0-3	NO Function
				4-7	Color Macro 01
				8-11	Color Macro 02
				12-15	Color Macro 03
				16-19	Color Macro 04
				20-23	Color Macro 05
				24-27	Color Macro 06
				28-31	Color Macro 07
				32-35	Color Macro 08
				36-39	Color Macro 09
				40-43	Color Macro 10
				44-47	Color Macro 11
				48-51	Color Macro 12
				52-55	Color Macro 13
				56-59	Color Macro 14
				60-63	Color Macro 15
			11	64-67	Color Macro 16
				68-71	Color Macro 17
				72-75	Color Macro 18
				76-79	Color Macro 19
				80-83	Color Macro 20
				84-87	Color Macro 21
				88-91	Color Macro 22
				92-95	Color Macro 23
				96-99	Color Macro 24
				100-103	Color Macro 25
				104-107	Color Macro 26
				108-111	Color Macro 27
				112-115	Color Macro 28
				116-119	Color Macro 29
				120-123	Color Macro 30
				124-127	Color Macro 31
				128-131	Color Macro 32

ELATION© SIX PAR Z19 IP™					
DMX Channel Values / Functions (14 Total Channels)					
Features are subject to change without any prior written notice.					
DMX CHANNEL MODE				VALUE	FUNCTION
07CH	09CH	10CH	14CH		
			11		<b>COLOR MACROS - continued</b>
				132-135	Color Macro 33
				136-139	Color Macro 34
				140-143	Color Macro 35
				144-147	Color Macro 36
				148-151	Color Macro 37
				152-155	Color Macro 38
				156-159	Color Macro 39
				160-163	Color Macro 40
				164-167	Color Macro 41
				168-171	Color Macro 42
				172-175	Color Macro 43
				176-179	Color Macro 44
				180-183	Color Macro 45
				184-187	Color Macro 46
				188-191	Color Macro 47
				192-195	Color Macro 48
				196-199	Color Macro 49
				200-203	Color Macro 50
				204-207	Color Macro 51
				208-211	Color Macro 52
				212-215	Color Macro 53
				216-219	Color Macro 54
				220-223	Color Macro 55
				224-227	Color Macro 56
				228-231	Color Macro 57
				232-235	Color Macro 58
				236-239	Color Macro 59
				240-243	Color Macro 60
				244-247	Color Macro 61
			248-251	Color Macro 62	
			252-255	Color Macro 63	
			12		<b>PROGRAM MACROS</b>
				0-20	NO Function
				21-40	CHANGE - 30 Color Change Macro
				41-60	CHANGE - 6 Color Change Macro
				61-80	FADE - Color Fade Macro
				81-255	NO Function
			13	0-255	<b>PROGRAM SPEED</b> Program Speed SLOW to FAST
				14	
			0-20		STANDARD
			21-40		STAGE
			41-60		TV
			61-80		ARCHITECTURAL
			81-100		THEATRE
			101-255	Default to Unit Setting	

## CLEANING AND MAINTENANCE



**C A U T I O N**

**Disconnect power before cleaning or maintenance.**

### CLEANING

Frequent cleaning is recommended to insure proper function, optimized light output, and an extended life. The frequency of cleaning depends on the environment in which the fixture operates: damp, smoky or particularly dirty environments can cause greater accumulation of dirt on the fixture's optics.

- Clean the external lens surface at least every 20 days with a soft cloth to avoid dirt/debris accumulation.
- Never use alcohol, solvents, or ammonia based cleaners.

### MAINTENANCE

Regular inspections are recommended to insure proper function and extended life. There are no user serviceable parts inside this fixture, please refer all other service issues to an authorized Elation service technician. Should you need any spare parts, please order genuine parts from your local Elation dealer.

Please refer to the following points during routine inspections:

- A detailed electric check by an approved electrical engineer every three months, to make sure the circuit contacts are in good condition and prevent overheating.
- Be sure all screws and fasteners are securely tightened at all times. Loose screws may fall out during normal operation resulting in damage or injury as larger parts could fall.
- Check for any deformations on the housing, color lenses, rigging hardware and rigging points (ceiling, suspension, trussing). Deformations in the housing could allow for dust to enter into the fixture. Damaged rigging points or unsecured rigging could cause the fixture to fall and seriously injure a person(s).
- Electric power supply cables must not show any damage, material fatigue or sediments. Never remove the ground prong from the power cable.

## TECHNICAL SPECIFICATIONS

### SOURCE

(19) 15W 6-in-1 RGBAW+UV LEDs  
100,000 Hour Average Lamp Life\*

\*May vary depending on several factors including but not limited to:  
Environmental Conditions, Power/Voltage, Usage Patterns (On-Off Cycling), Control, and Dimming.

### COLOR

RGBAW + UV

### EFFECTS

5° - 45° Beam Motorized Zoom  
RGBWA + UV Color Mixing  
Color and Chase Program Macros  
Electronic Strobe and Variable Dim Curves

### CONTROL / CONNECTIONS

4 DMX Channel Modes (14 Total Channels)  
4 Touch Button Control Panel and LCD Menu Display  
RDM (Remote Device Management)  
180° Reversible LCD Menu Display  
8 / 16 Bit Resolution Adjustable Movement  
IP rated 5pin DMX and powerCON TRUE1 In/Out

### SIZE / WEIGHT

Length: 14.3" (363mm)  
Width: 12.0" (305mm)  
Vertical Height: 15.6" (396mm)  
Weight: 27.0 lbs. (12.2 kg)

### ELECTRICAL / THERMAL

AC 100-240V - 50/60Hz  
282W Max Power Consumption  
5F to 113°F (-15°C to 45°C)  
UV Wavelength: 395nm

### APPROVALS / RATINGS

CE | RoHs | IP65

Please Note: Specifications and improvements in the design of this unit and this manual are subject to change without any prior written notice.

## PHOTOMETRIC DATA

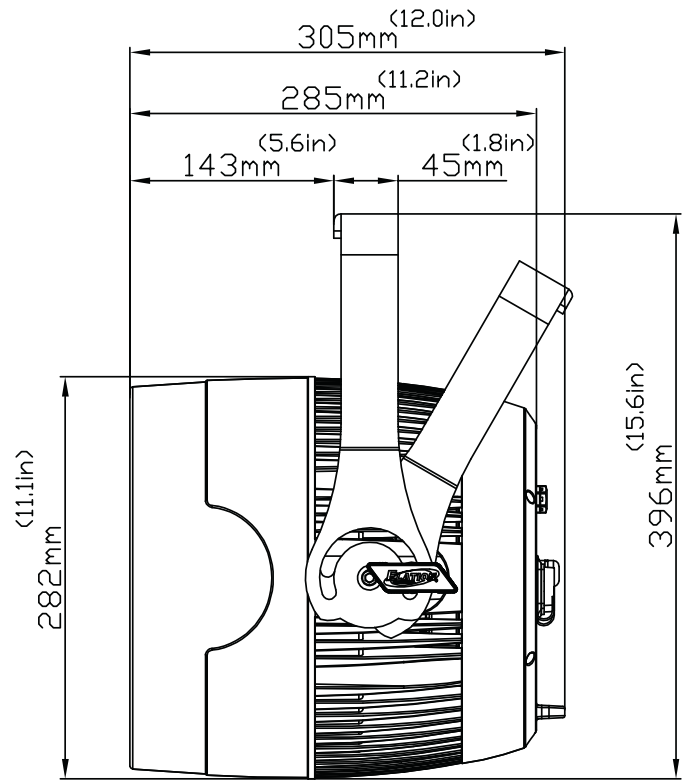
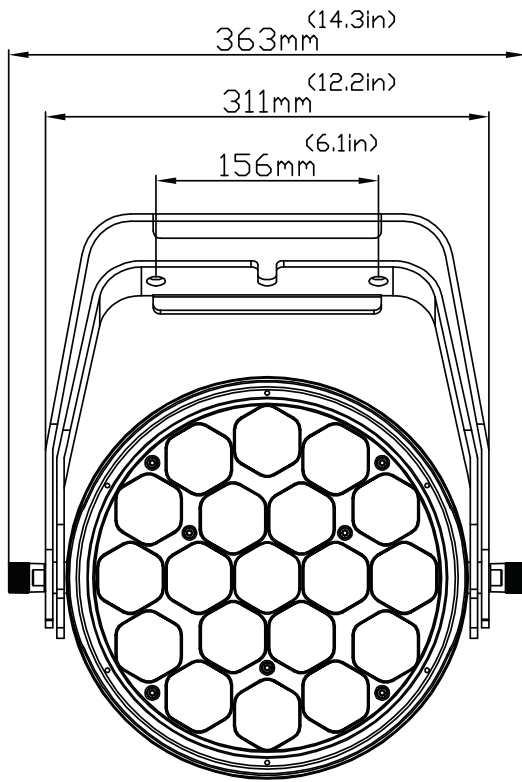
### MIN ZOOM - 5° Beam Diameter

	<b>3 m</b>	<b>9.8 ft</b>	<b>4 m</b>	<b>13.1 ft</b>	<b>5 m</b>	<b>16.4 ft</b>
<b>5° Beam Diameter</b>	0.26	0.9	0.35	1.1	0.43	1.4
<b>15° Field Diameter</b>	1	3.3	1.3	4.3	1.6	5.2
	<b>lux</b>	<b>fc</b>	<b>lux</b>	<b>fc</b>	<b>lux</b>	<b>fc</b>
<b>RED LEDs</b>	1,859	173	1,211	113	853	79
<b>GREEN LEDs</b>	6,220	578	3,918	364	2,755	256
<b>BLUE LEDs</b>	915	85	557	52	383	36
<b>WHITE LEDs</b>	6,221	578	3,876	360	2,750	255
<b>AMBER LEDs</b>	1,351	126	824	77	687	64
<b>UV LEDs</b>	121	11	80	7	44	4
<b>FULL ON</b>	13,240	1,230	8,371	778	5,859	544

### MAX ZOOM - 45° Beam Diameter

	<b>3 m</b>	<b>9.8 ft</b>	<b>4 m</b>	<b>13.1 ft</b>	<b>5 m</b>	<b>16.4 ft</b>
<b>45° Beam Diameter</b>	2.49	8.2	3.31	10.9	4.14	13.6
<b>55° Field Diameter</b>	3.12	10.2	4.16	13.6	5.2	17.1
	<b>lux</b>	<b>fc</b>	<b>lux</b>	<b>fc</b>	<b>lux</b>	<b>fc</b>
<b>RED LEDs</b>	132	12	78	7	49	5
<b>GREEN LEDs</b>	371	34	219	20	153	14
<b>BLUE LEDs</b>	68	6	41	4	29	3
<b>WHITE LEDs</b>	431	40	246	23	152	14
<b>AMBER LEDs</b>	80	7	48	4	35	3
<b>UV LEDs</b>	13	1	10	1	8	1
<b>FULL ON</b>	831	77	486	45	309	29

### DIMENSIONAL DRAWINGS



Please Note: Specifications and improvements in the design of this unit and this manual are subject to change without any prior written notice.

### OPTIONAL ACCESSORIES

ORDER CODE	ITEM
NARROW CLAMP	PRO 2" Wrap Around Clamp
NEU088	3 ft. (1m) PowerCON TRUE1 Power Link Cable
	Additional Cable Lengths Available

