



## SIX PAR Z19 IP™

SKU# SIX119

The SIX PAR Z19 IP™ is an IP65 rated 6-color par wash luminaire with zoom, featuring (19) individual 15W 6-IN-1 RGBAW+UV LEDs, 5° to 45° motorized zoom, UV LED Wavelength of 395nm, electronic strobe and variable dimming curve effects, IP rated 5pin DMX and powerCON TRUE1 in/out connections, LCD menu display with (4) touch button control panel, adjustable yoke / floor stand, multiple unit power linking, RDM (remote device management), rugged die-cast aluminum exterior, flicker free operation for TV and FILM, and a multi-voltage universal auto switching power supply (110-250v).

### FEATURES

**IP65 Rated 6-Color Par Wash Luminaire**

**19 x 15W RGBAW + UV LEDs**

**5° to 45° Motorized Zoom**

**395nm UV LED Wavelength**

**Electronic Strobe and Variable Dimming Curve Effects**

**RDM - Remote Device Management**

**Rugged Die-Cast Aluminum Exterior**

**Multiple Unit Power Linking**

**IP Rated DMX and powerCON TRUE1 Connections**

**Flicker Free Operation for TV and FILM**



**PRODUCT SPECIFICATIONS**

**SOURCE**

(19) 15W RGBAW + UV LEDs  
100,000 Hour Average LED Life\*

\*LED Life may vary depending on several factors including but not limited to: Environmental Conditions, Power/Voltage, Usage Patterns (On-Off Cycling), Control and Dimming.

**PHOTOMETRIC DATA**

13,240 LUX 1,230 FC @9.8' (3m) (5° Full ON)  
831 LUX 77 FC @9.8' (3m) (45° Full ON)

**COLOR**

RGBAW + UV

**EFFECTS**

5° - 45° Beam Zoom  
RGBWA + UV Color Mixing  
Color and Chase Program Macros  
Electronic Strobe and Variable Dim Curves

**CONTROL / CONNECTIONS**

(4) DMX Channel Modes (14 Total Channels)  
4 Button Control Panel and LCD Menu Display  
RDM (Remote Device Management)  
IP Rated 5pin DMX In/Out  
powerCON TRUE1 Power In/Out

**SIZE / WEIGHT**

Length: 14.3" (363mm)  
Width: 12.0" (305mm)  
Vertical Height: 15.6" (396mm)  
Weight: 27.0 lbs. (12.2 kg)

**ELECTRICAL / THERMAL**

AC 110-240V - 50/60Hz  
314W Max Power Consumption  
5°F to 113°F (-15°C to 45°C)

**APPROVALS / RATINGS**



**INCLUDED ITEMS**

powerCON TRUE1 Cable

**PHOTOMETRIC DATA**

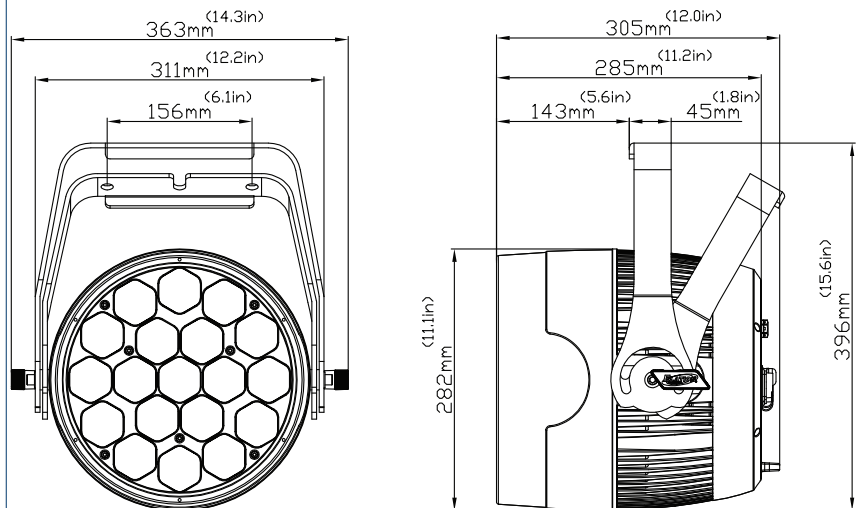
**MIN ZOOM - 5° Beam Diameter**

	3 m	9.8 ft	4 m	13.1 ft	5 m	16.4 ft
<b>5° Beam Diameter</b>	0.26	0.9	0.35	1.1	0.43	1.4
<b>15° Field Diameter</b>	1	3.3	1.3	4.3	1.6	5.2
	lux	fc	lux	fc	lux	fc
<b>RED LEDs</b>	1,859	173	1,211	113	853	79
<b>GREEN LEDs</b>	6,220	578	3,918	364	2,755	256
<b>BLUE LEDs</b>	915	85	557	52	383	36
<b>WHITE LEDs</b>	6,221	578	3,876	360	2,750	255
<b>AMBER LEDs</b>	1,351	126	824	77	687	64
<b>UV LEDs</b>	121	11	80	7	44	4
<b>FULL ON</b>	13,240	1,230	8,371	778	5,859	544

**MAX ZOOM - 45° Beam Diameter**

	3 m	9.8 ft	4 m	13.1 ft	5 m	16.4 ft
<b>45° Beam Diameter</b>	2.49	8.2	3.31	10.9	4.14	13.6
<b>55° Field Diameter</b>	3.12	10.2	4.16	13.6	5.2	17.1
	lux	fc	lux	fc	lux	fc
<b>RED LEDs</b>	132	12	78	7	49	5
<b>GREEN LEDs</b>	371	34	219	20	153	14
<b>BLUE LEDs</b>	68	6	41	4	29	3
<b>WHITE LEDs</b>	431	40	246	23	152	14
<b>AMBER LEDs</b>	80	7	48	4	35	3
<b>UV LEDs</b>	13	1	10	1	8	1
<b>FULL ON</b>	831	77	486	45	309	29

**DIMENSIONAL DIAGRAMS**



**OPTIONAL ACCESSORIES**

ORDER CODE	ITEM
<b>NARROW CLAMP</b>	P PRO 2" Wrap Around Clamp
<b>NEU088</b>	3' (1m) powerCON TRUE1 Power Link Cable
	Additional cable lengths available



Specifications are subject to change without notice ©Elation Professional 09/22/16

Elation Professional USA | 6122 S. Eastern Ave. | Los Angeles, CA, 90040  
323-582-3322 | 323-832-9142 fax | www.elationlighting.com | info@elationlighting.com

Elation Professional B.V. | Junostraat 2 | 6468 EW Kerkrade, The Netherlands  
+31 45 546 85 66 | +31 45 546 85 96 fax | www.elationlighting.eu | info@elationlighting.eu