

Job Name:		Catalog #:	
Date:		Notes:	

DMX REPEATER



PRODUCT OVERVIEW

The Pathway DMX Repeater is an essential component of any DMX512 distribution system, permitting star wiring configurations while isolating and protecting connected equipment from harmful electrical faults, ground loops and common mode voltages.

Multiple connector choices, including customized arrangements, ensure easy installation in existing systems, and flexibility in new system design.

SPECIFICATIONS

- 85-250VAC 50/60 Hz wide-ranging power input
- Operating Conditions: -10 to +50°C, 5-95% relative humidity, non-condensing
- 0.75A power consumption
- 2500V Opto isolation between input and output signals
- 250V fault protection on inputs and outputs

FEATURES

- Silent operation
- 8 outputs
- Multiple connector options including RJ45
- No fuses - we use self resetting data links
- Field-serviceable - a spare transceiver and opto-coupler ships with every unit
- Replacement transceivers and opto-couplers easily sourced from major electronic component suppliers
- Passive DMX through
- Termination switch
- 2500V Opto isolation between input and output signals
- 250V fault protection on inputs and outputs
- Two versions offered: connectors on the front or the back
- Wide range power supply
- DMX present indicator
- E1.11 DMX512A compliant
- Gold plated XLR contacts
- Rugged cast aluminum housing
- Custom connector arrangements on request
- Rack ears included

STANDARDS COMPLIANCE

- USITT DMX512 -990 \ ANSI E1.11 DMX512-A R2013
- ETL
- CE
- RoHS 2002/95/EC

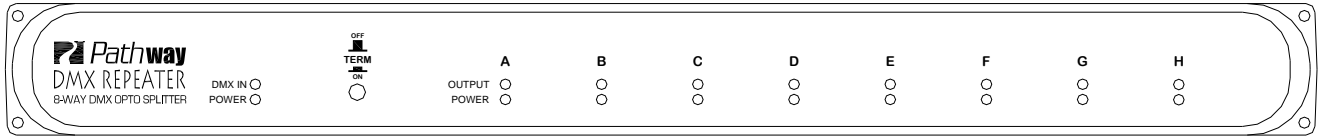
WEIGHTS AND DIMENSIONS

- 5.2 lb (2.4 kg)
- 17 x 6 x 1.7 in (432 x 150 x 40mm)

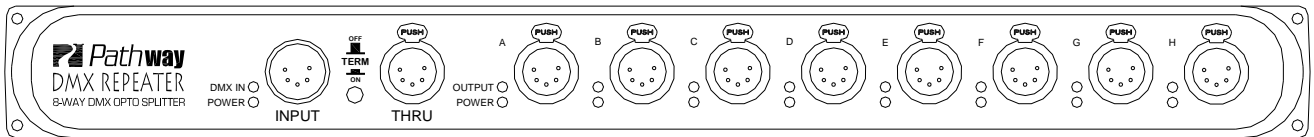
INCLUDED FURNISHINGS

- Installation/Operations manual
- Rackmount Ears

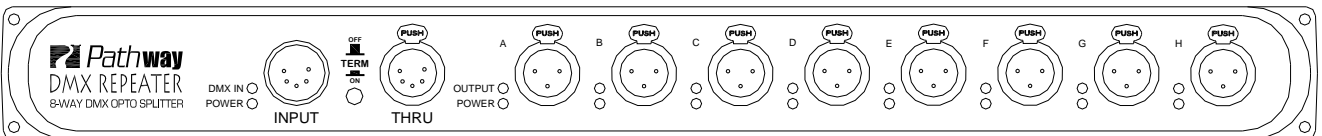
FRONT PANEL



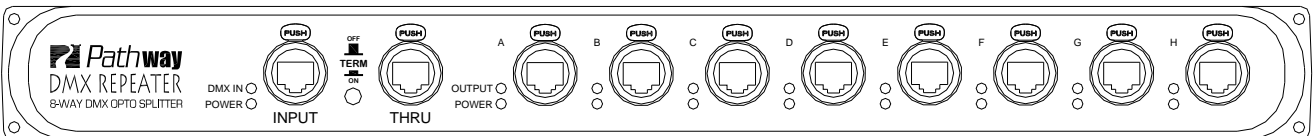
MODEL 9014, 9015, 9017



MODEL 9016

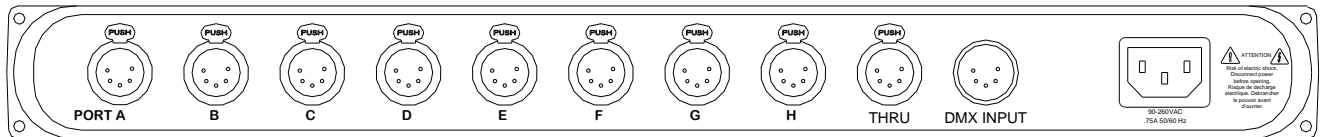


MODEL 9016-3

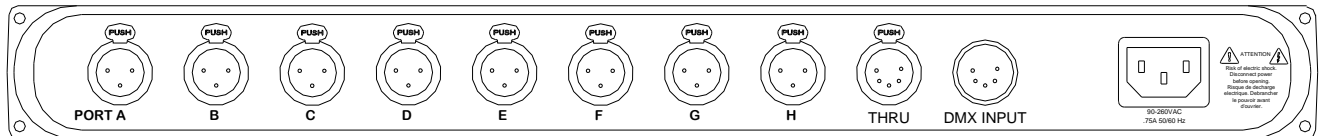


MODEL 9018

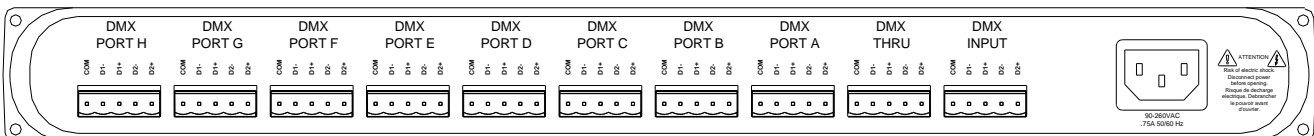
REAR PANEL



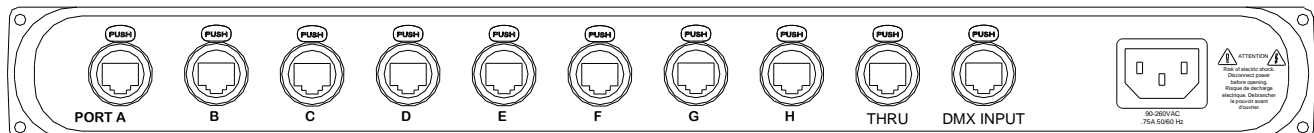
MODEL 9014



MODEL 9014-3

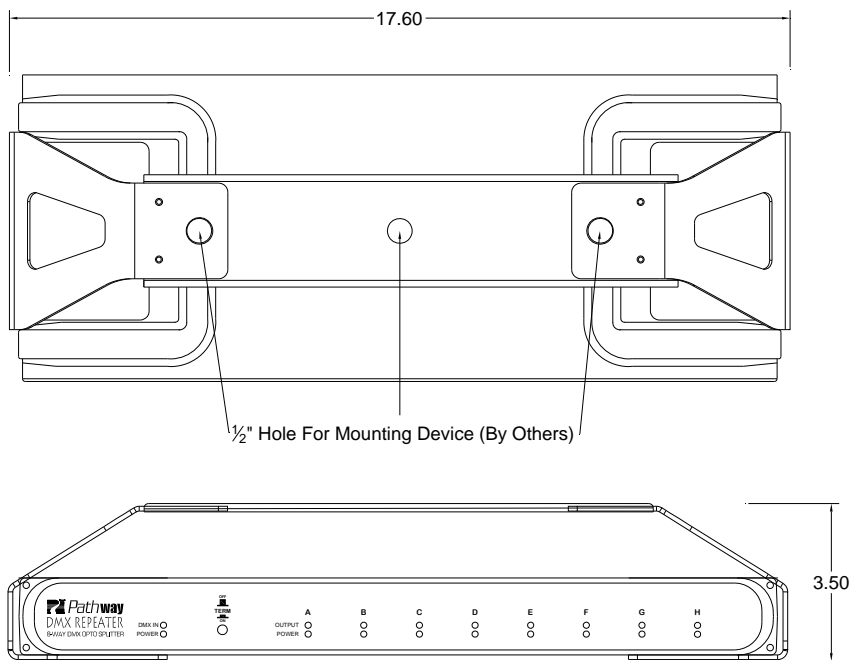


MODEL 9015

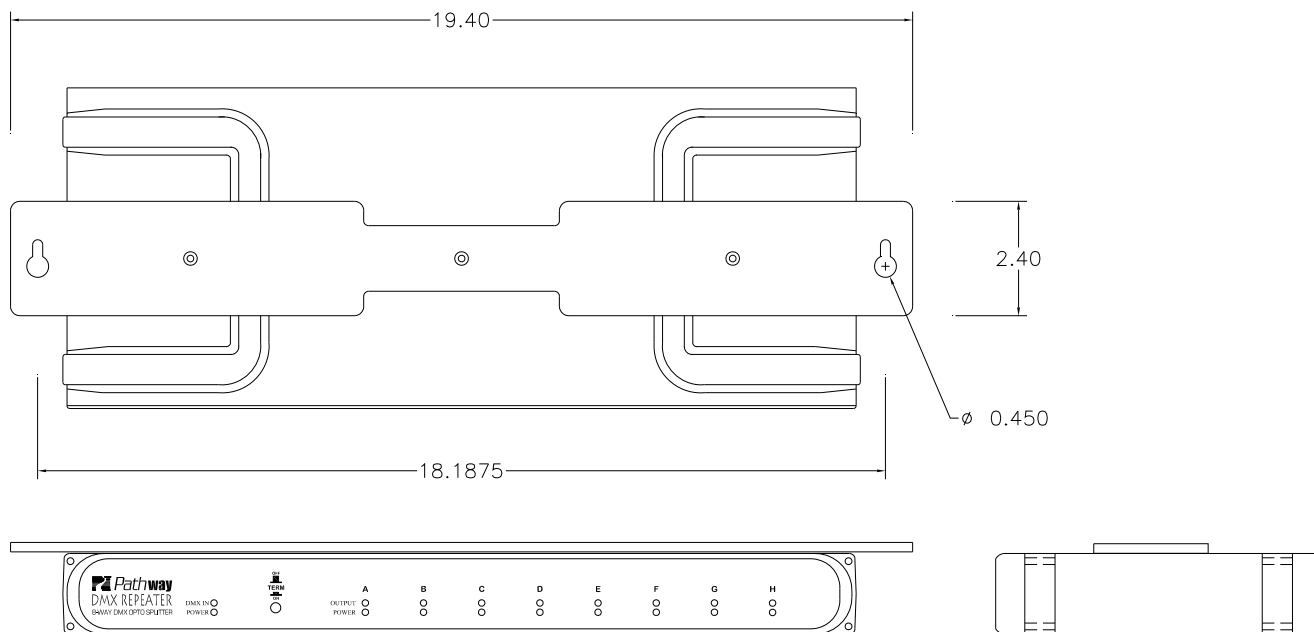


MODEL 9017

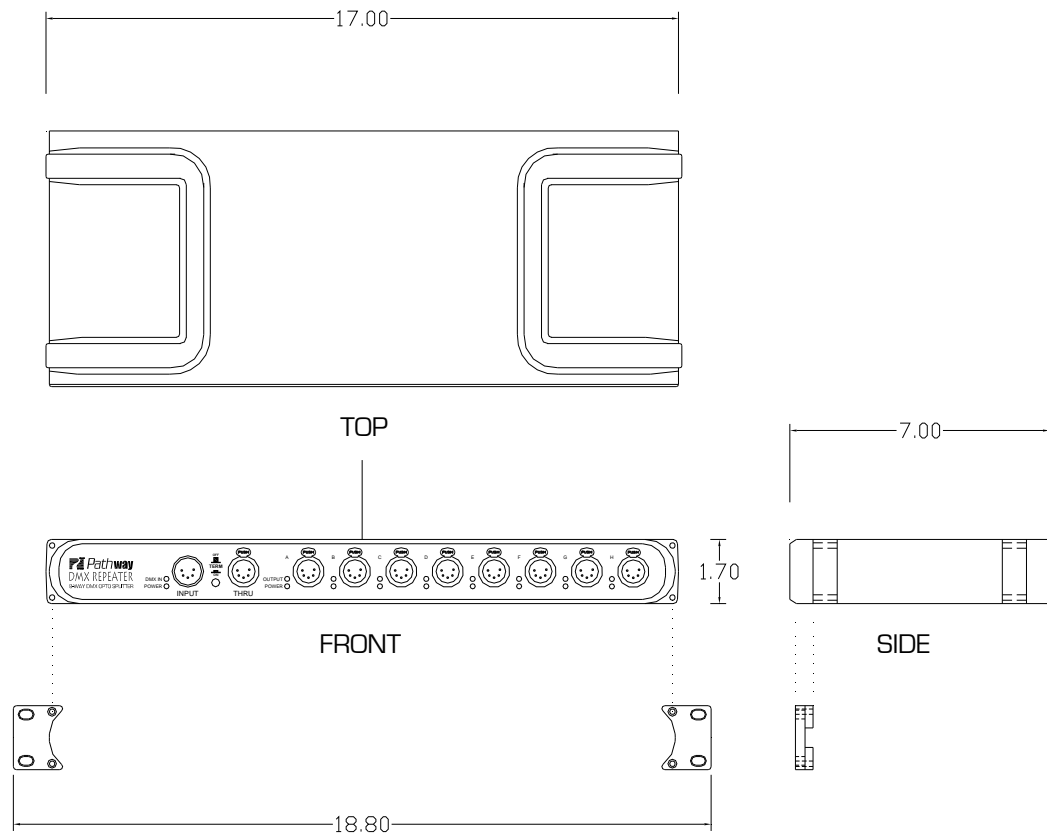
TRUSS MOUNT ACCESSORY—P/N 9003



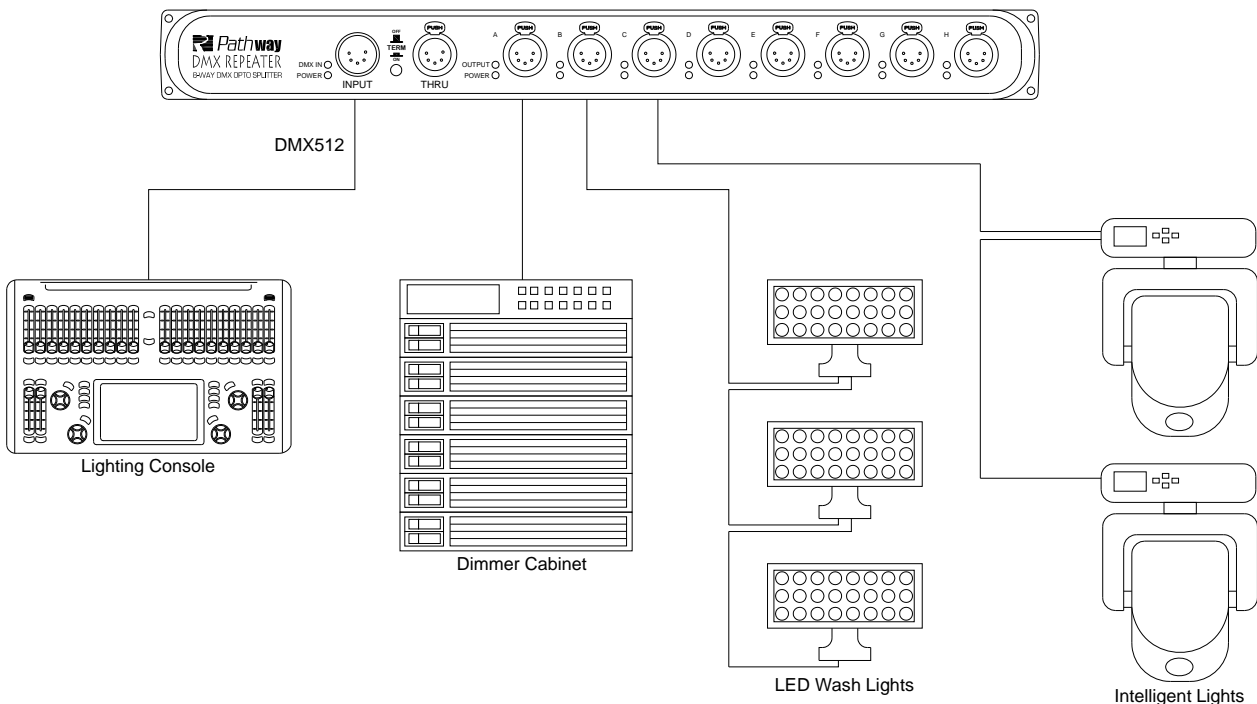
WALL MOUNT ACCESSORY—P/N 9002



DIMENSIONS



APPLICATION RISER



DMX512 PIN OUT

XLR PIN #	PURPOSE
1	Shield/COM
2	Data - (complement)
3	Data + (true)
4	Data - (pair 2 complement)
5	Data + (pair 2 true)

XLR PIN #	Cat5/Cat6 Color and Pin #	PURPOSE
3	1—White/Orange	Data 1 + (true)
2	2—Orange	Data 1—(complement)
5	3—White Green	Data 2 + (true)
4	6—Green	Data 2—(complement)
-	4—Blue	Not used—do not connect
-	5—White Blue	Not used—do not connect
1	7—White/Brown	Shield/COM
1	8—Brown	Shield/Com

ORDERING INFORMATION

PART #	DESCRIPTION
9014	DMXRepeater, 8 way, Rear 5 pin XLR
9014-3	DMXRepeater, 8 way, Rear 3 pin XLR
9015	DMXRepeater, 8-way, Rear Terminal Connectors
9016	DMXRepeater, 8-way, Front 5 pin XLR
9016-3	DMXRepeater, 8-way, Front 3 pin XLR
9017	DMXRepeater, 8-way, Rear RJ45 Ethercon
9018	DMXRepeater, 8-way, Front RJ45 Ethercon

Models using RJ45 Ethercon connectors for DMX ports are custom-build and are not returnable

ACCESSORIES	
9002	Wall Mount Kit
9003	Truss Mount Kit
40-0093	Adapter, Phoenix-style Terminal to IDC. Each adaptor converts two ports. For use with model 9015