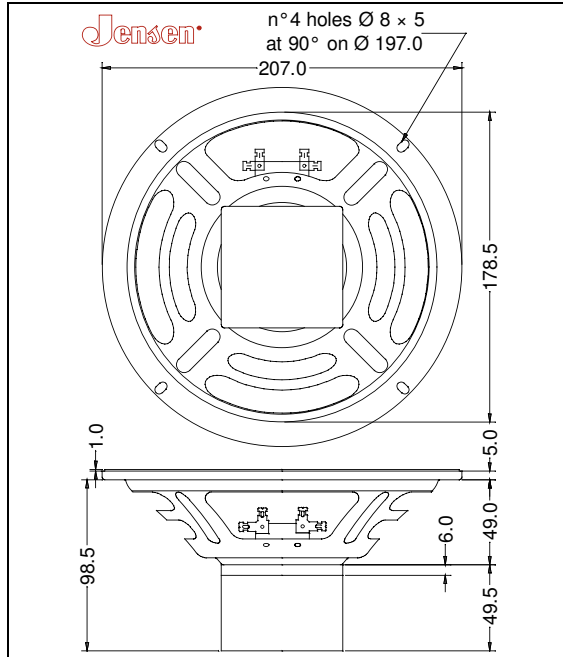


GENERAL CHARACTERISTICS		
Nominal Overall Diameter	207 mm.	8 in.
Nominal Voice Coil Diameter	25 mm.	1.00 in.
Magnet Weight	200 g	7.00 oz
Overall Weight		2.64 lbs
Flux Density		0.96 T
Voice Coil Winding Depth		0.16 in.
Magnetic Gap Depth		0.24 in.

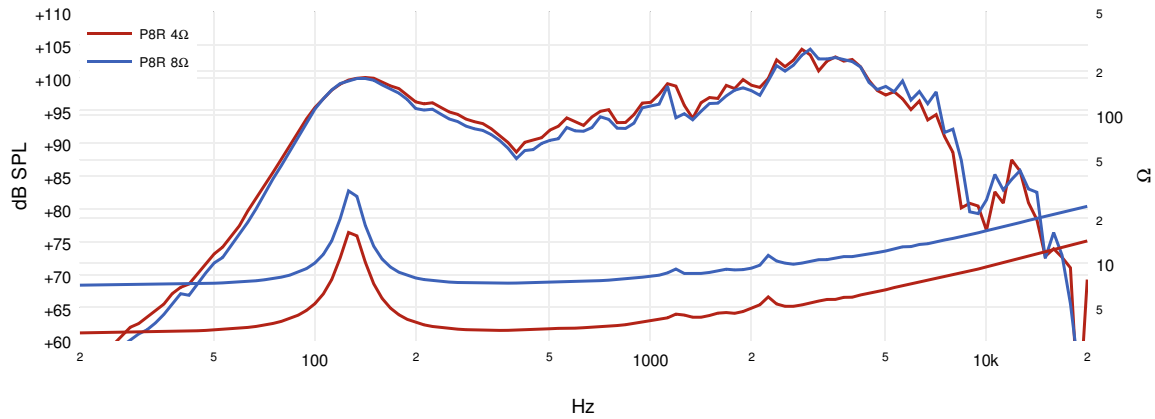
THIELE-SMALL PARAMETERS			
		4Ω	8Ω
Voice Coil DC Resistance	R_E	3.00	6.60 Ω
Resonance Frequency	f_S	129.0	135.0 Hz
Mechanical Q Factor	Q_{MS}	8.67	8.67
Electrical Q Factor	Q_{ES}	1.72	2.30
Total Q Factor	Q_{TS}	1.43	2.28
Mechanical Moving Mass	M_{MS}	9.3	8.8 g
Mechanical Compliance	C_{MS}	164	159 μm/N
Force Factor	BxL	3.72	3.99 Wb/m
Equivalent Acoustic Volume	V_{AS}	10.5	10.3 lt.
Maximum Linear Displacement	X_{MAX}	1.00	1.00 mm
Reference Efficiency	η_0	1.27	0.95 %
Diaphragm Area	S_D	213.8	213.8 cm ²
Losses Electrical Resistance	R_{ES}	16.0	27.0 Ω
Voice Coil Inductance @ 1kHz	L_E	0.21	0.36 mH

CONSTRUCTIVE CHARACTERISTICS	
Magnet	Alnico
Voice Coil Winding	Copper
Voice Coil Former	Epotex
Cone Material	Paper
Surround Material	Integrated Paper
Dust Dome Material	Solid Paper
Basket Material	Pressed Sheet Steel
Surround Treatment	Yes

ELECTRICAL CHARACTERISTICS		
	4Ω	8Ω
Nominal Impedance	4	8 Ω
Rated Power	25	25 W
Musical Power	50	50 W
Sensitivity@1W,1m	94.1	91.8 dB



Frequency Response on IEC Baffle (DIN 45575) @ 1W, 1m - Free Air Impedance



Due to continuing product improvement, the features and the design are subject to change without notice.