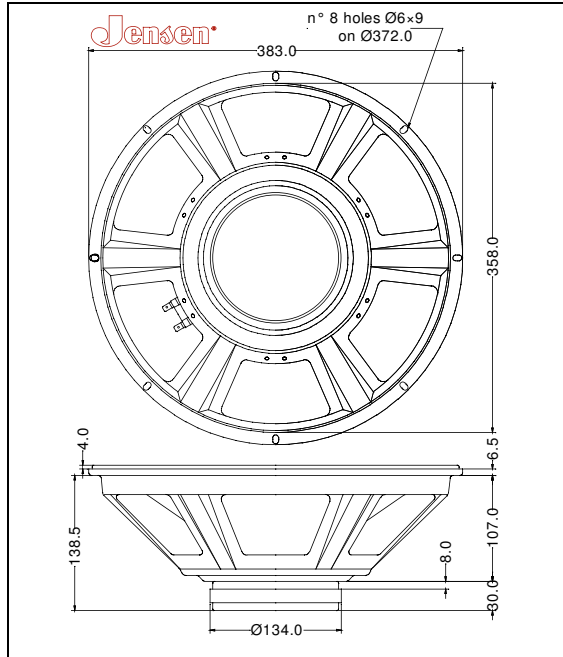


GENERAL CHARACTERISTICS		
Nominal Overall Diameter	385 mm.	15 in.
Nominal Voice Coil Diameter	50 mm.	2.00 in.
Magnet Weight	810 g	28.50 oz
Overall Weight		9.25 lbs
Flux Density		1.00 T

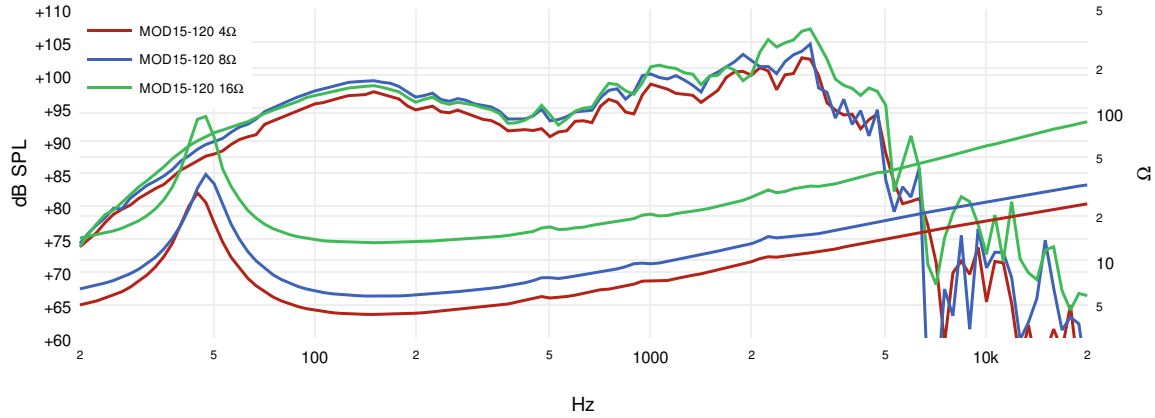
ELECTRICAL CHARACTERISTICS	4Ω	8Ω	16Ω
Nominal Impedance	4	8	16 Ω
Rated Power	100	100	100 W
Musical Power	200	200	200 W
Sensitivity@1W,1m	95.3	96.5	95.4 dB

THIELE-SMALL PARAMETERS		4Ω	8Ω	16Ω
Voice Coil DC Resistance	R_E	3.77	4.94	12.03 Ω
Resonance Frequency	f_S	41.5	47.5	47.1 Hz
Mechanical Q Factor	Q_{MS}	5.13	5.59	16.48
Electrical Q Factor	Q_{ES}	0.75	0.89	1.13
Total Q Factor	Q_{TS}	0.65	0.77	1.06
Mechanical Moving Mass	M_{MS}	53.7	59.0	49.5 g
Mechanical Compliance	C_{MS}	275	191	231 μm/N
Force Factor	B_{xL}	8.39	9.87	12.48 Wb/m
Equivalent Acoustic Volume	V_{AS}	220.1	153.0	184.4 lt.
Maximum Linear Displacement	X_{MAX}	1.00	1.00	1.00 mm
Reference Efficiency	η_0	2.01	1.76	1.64 %
Diaphragm Area	S_D	754.8	754.8	754.7 cm ²
Losses Electrical Resistance	R_{ES}	25.8	31.0	175.0 Ω
Voice Coil Inductance @ 1kHz	L_E	0.62	0.70	1.49 mH

CONSTRUCTIVE CHARACTERISTICS	
Magnet	Ferrite
Voice Coil Winding	Copper
Voice Coil Former	Aluminum
Cone Material	Paper
Surround Material	Integrated Paper
Dust Dome Material	Solid Paper
Basket Material	Pressed Sheet Steel



Frequency Response on IEC Baffle (DIN 45575) @ 1W, 1m - Free Air Impedance



Due to continuing product improvement, the features and the design are subject to change without notice.