

SMWB Series

Surface Mount Wall Box

FSR

Metal Products Group

SMWB Wall Boxes



SWMB-1
White or Black

SWMB-2
White or Black

SWMB-3
White or Black

SWMB-4
White or Black

DESCRIPTION

FSR's SMWB series of surface mount wall boxes are designed for surface mounting of standard wall plates. They can be used to conveniently mount accessories for FSR or any other manufacturer's controls, switch panels, keypads and IPS wall plates. Rugged construction make these boxes ideal for indoor commercial and industrial applications. Available in 1,2,3,and 4 gang models to satisfy most applications.

Mounting holes allow for fixed mounting on virtually any wall surface so the accessory plates are easily accessed. The four models are available in textured black or white paint. Standard concentric knockouts facilitate convenient wiring and installation.

FEATURES

- 16-gauge galvanized steel construction
- Black or White textured paint
- Convenient surface mounting
- Compatible with most standard gang components, plates and covers
- Two 1/2-3/4" Concentric knockouts for conduit

APPLICATIONS

- Schools
- Hotels
- Conference Centers
- Airports
- Arenas
- Houses of Worship

ORDERING INFORMATION

Item#	Part #	Description
17185	SMWB-1G-WHT	1 Gang Surface Mount Gang Box - White
17186	SMWB-1G-BLK	1 Gang Surface Mount Gang Box - Black
17187	SMWB-2G-WHT	2 Gang Surface Mount Gang Box - White
17188	SMWB-2G-BLK	2 Gang Surface Mount Gang Box - Black
17189	SMWB-3G-WHT	3 Gang Surface Mount Gang Box - White
17190	SMWB-3G-BLK	3 Gang Surface Mount Gang Box - Black
17191	SMWB-4G-WHT	4 Gang Surface Mount Gang Box - White
17192	SMWB-4G-BLK	4 Gang Surface Mount Gang Box - Black

FSR Inc.

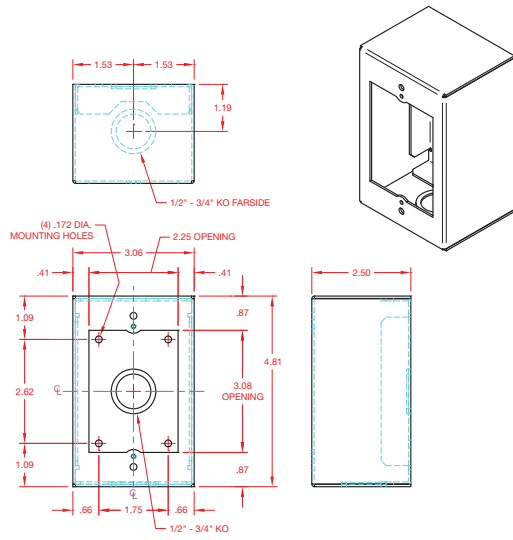
244 Bergen Boulevard, Woodland Park, NJ 07424
 Phone: 973.785.4347 · Fax: 973.785.4207
 Web: www.fsrinc.com · E-mail: sales@fsrinc.com
 Order Desk: 1-800-332-FSR1

Objects pictured are not to scale.

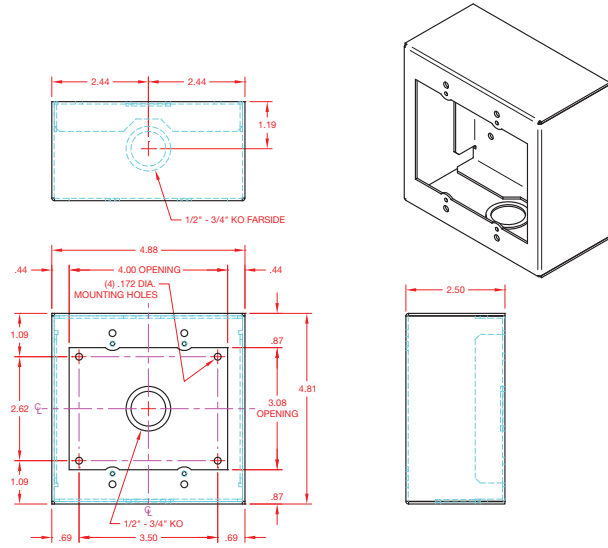
LIT1351

SMWB DIMENSIONS

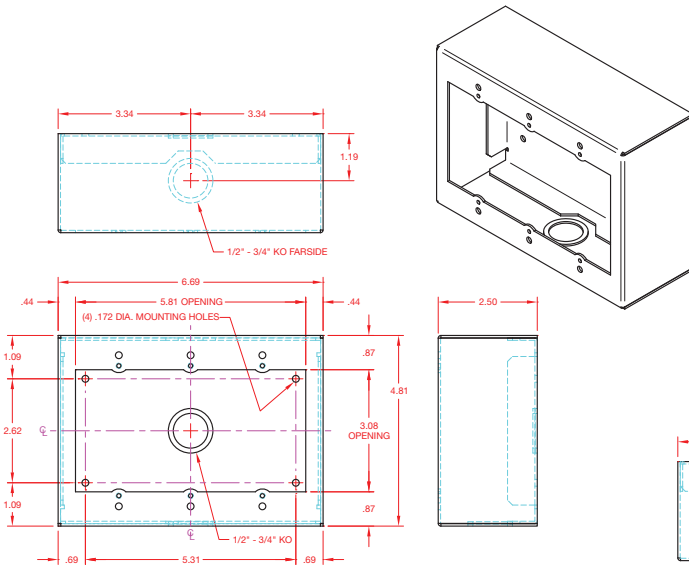
SMWB-1G



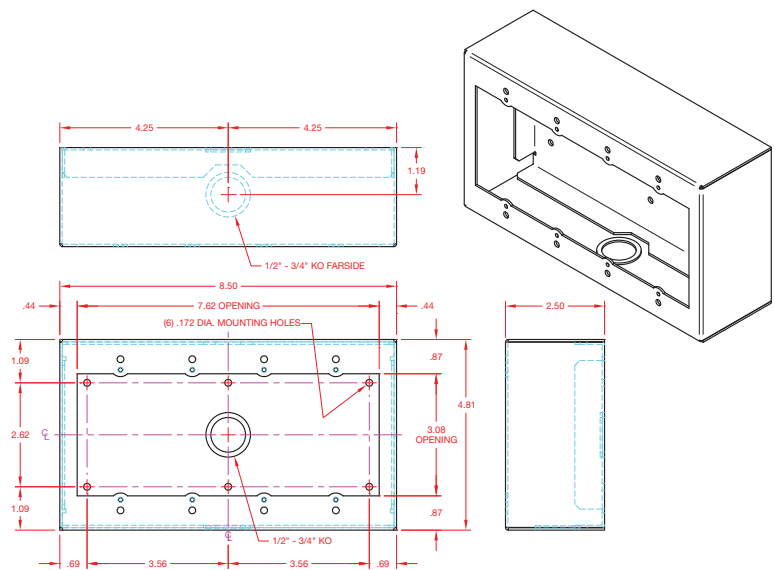
SMWB-2G



SMWB-3G



SMWB-4G



Specifications are subject to change without notice.



244 Bergen Boulevard, Woodland Park, NJ 07424
 Phone: 973.785.4347 · Fax: 973.785.4207
 Web: www.fsrinc.com · E-mail: sales@fsrinc.com