

# PLASMA

Plasma P1 (Left/Right)

15-Inch Two-Way  
Powered 80° x 55°  
Speaker System



## Key Features:

- Compact, Ergonomic Size
- 550W + 150 W Dynamic Output Power
- EVX155RMD 15" LF Transducer
- ND6 Compression Driver
- Simple, Versatile Suspension
- High Sensitivity, 132 dB Maximum SPL
- Linear Response, Fail-Safe Operation with Voice Coil Tracking Technology
- Switchable High-Pass Filter for use with P2 Subwoofer



## General Description:

The Electro-Voice® Plasma P1 integrates premium EV transducers with high power class H amplification and signal processing to provide an outstanding combination of sonic detail, SPL, and ease of use. A EVX155 15" uses a Kevlar reinforced cone with RMD driven by a 4" voice coil for well-defined transient response while maintaining articulate vocals at all SPLs. An ND6 compression driver with a 3" diaphragm and 1.4" exit provides extended HF response with very low distortion. A class H two-channel amplifier requires no fans for quiet operation, low maintenance, and long-term reliability. Coupled with signal processing for linear acoustic response, and unobtrusive protection it delivers the power required for high-level reinforcement. Dynamic linearity is another benefit of amplifiers designed for system integration with large format transducer motors.

L-track is embedded into P1 to provide convenient multi axis suspension and attachment points for an optional suspension arm. The very compact multi-angle enclosure can be used in monitor position (in left and right configurations), or arrayed.

The P1 is acoustically designed for uniform coverage in both horizontal and vertical planes adding to its versatility. P1's applications are for where the highest quality sound is required; Theater, A/V, Stage monitoring, Sound reinforcement.

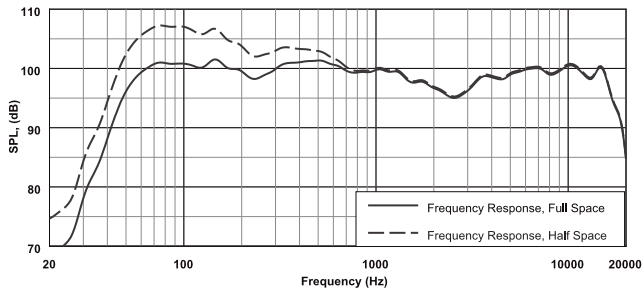
## Technical Specifications:

Freq. Response (-3 dB):	45 Hz - 17 kHz
Freq. Range (-10 dB) <sup>1</sup> :	38 Hz - 19 kHz
Calculated Max SPL:	132 dB
Horizontal Coverage:	80°
Vertical Coverage:	55°
Amplifier Design:	Class H
THD:	< 0.01%
Input Impedance:	20K Ω
LF Amplifier Power:	460 W RMS (550W Peak)
HF Amplifier Power:	140 W RMS (150W Peak)
High-Pass Crossover (Switchable):	100 Hz
Level Control:	- ∞ to +6 dB
Input Sensitivity:	+6 dB for full output
LF Transducer:	15" (381 mm) EVX155RMD
HF Transducer:	1.4" (35.6 mm) exit ND6 Comp. Driver
Connectors:	
Balanced Line Inputs:	XLR and ¼" phone Combination
Balanced Output:	XLR
Power Requirement:	100, 120, 230, or 240 VAC, 50-60Hz
Enclosure Material:	13-ply Birch Plywood
Cabinet Finish:	Futura
Grille:	Powder Coated Steel with Cloth
Dim (H x W x D):	24.2" x 18.8" x 15.7" (615 x 476 x 400 mm)
Net Weight:	93 lbs (42.3 kg)
Shipping Weight:	99 lbs (45.0 kg)

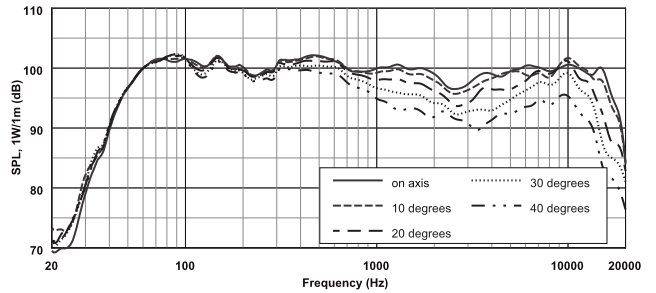
<sup>1</sup> Frequency Response: 1/2 Space

# Plasma P1 Full Range Loudspeaker

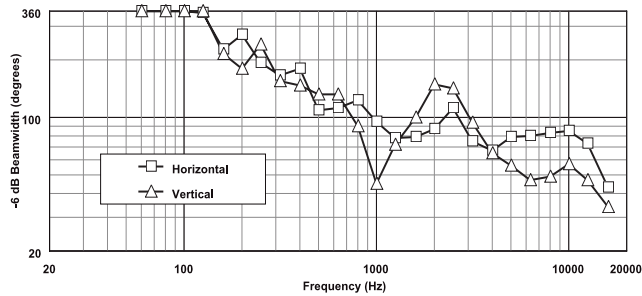
**Frequency Response (Full & Half Space):**



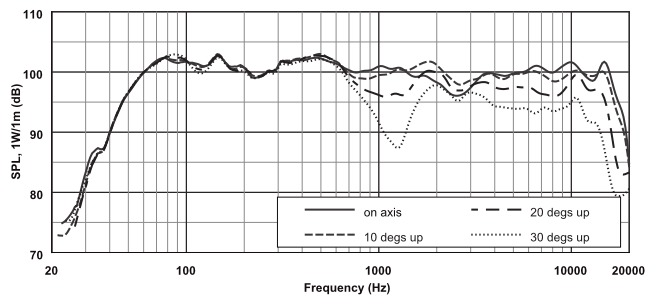
**Horizontal Off Axis Frequency Response:**



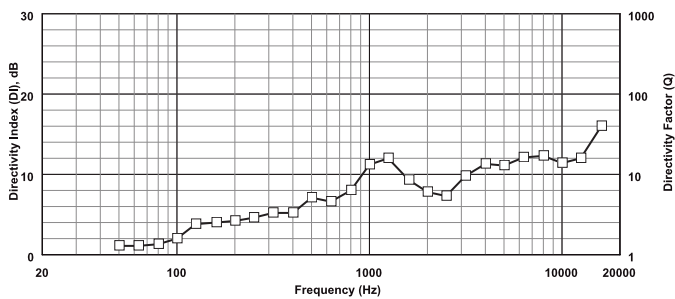
**Beamwidth:**



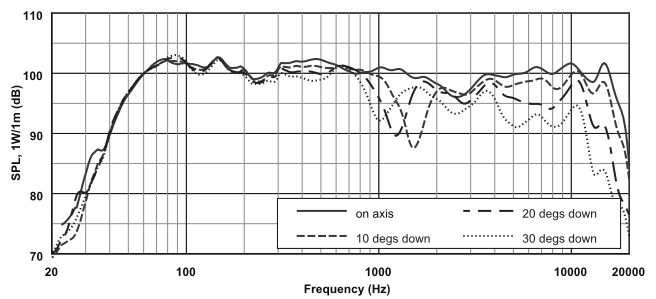
**Vertical Off Axis Frequency Response (up):**



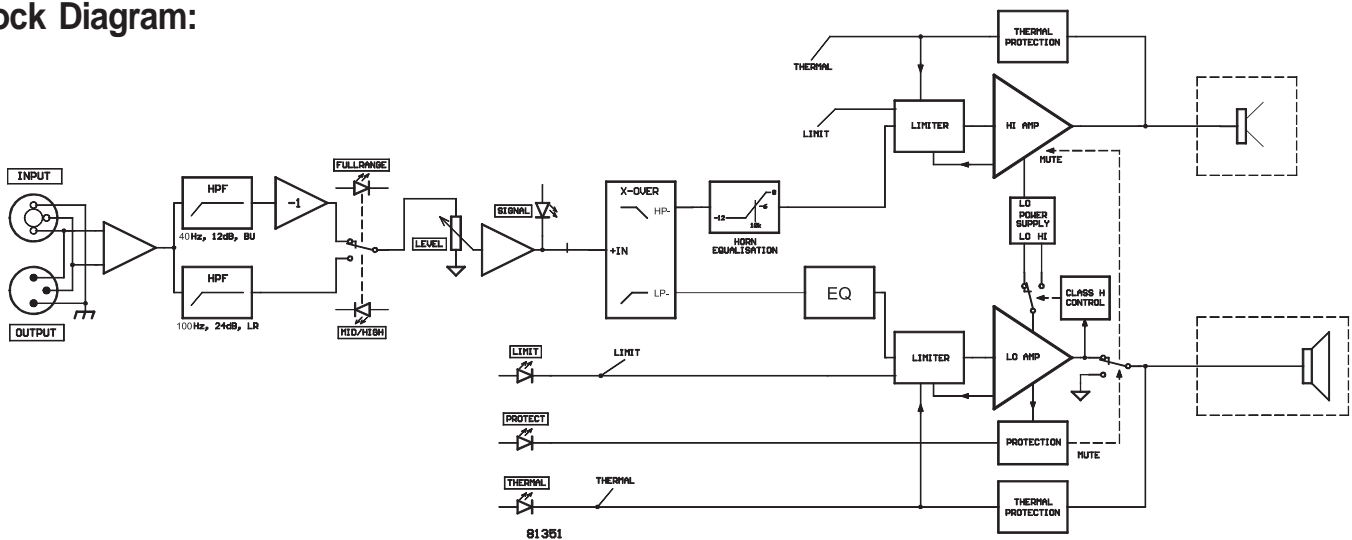
**Directivity:**



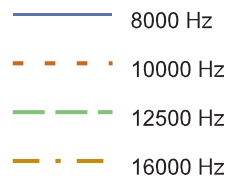
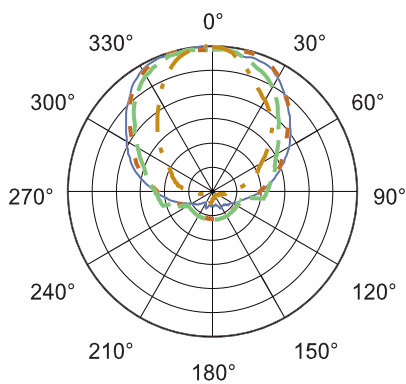
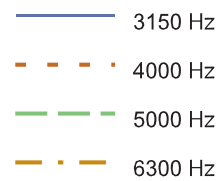
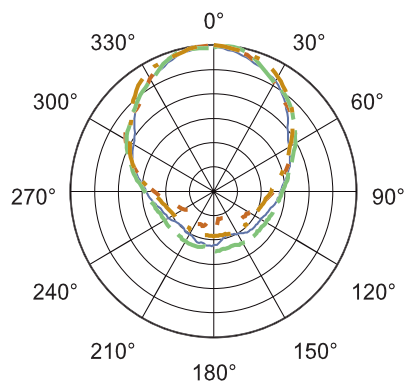
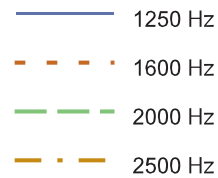
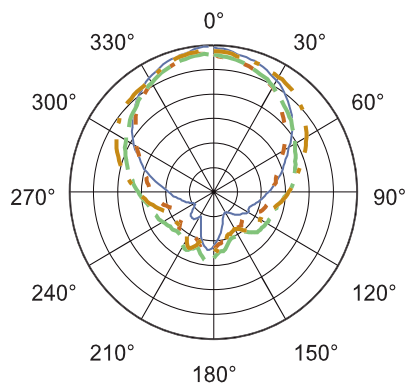
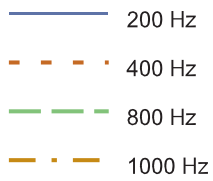
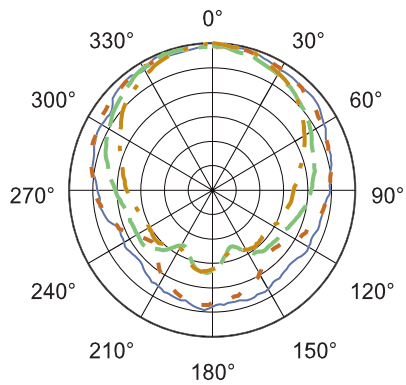
**Vertical Off Axis Frequency Response (down):**



**Block Diagram:**

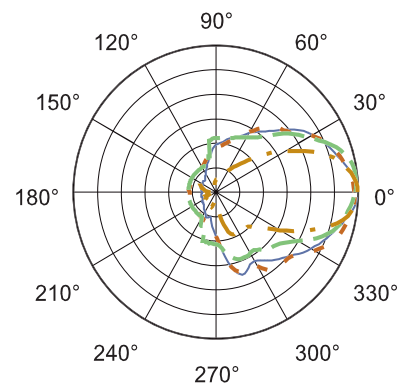
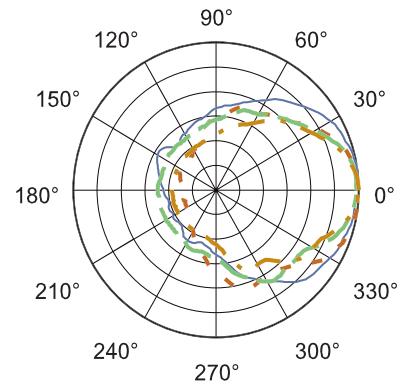
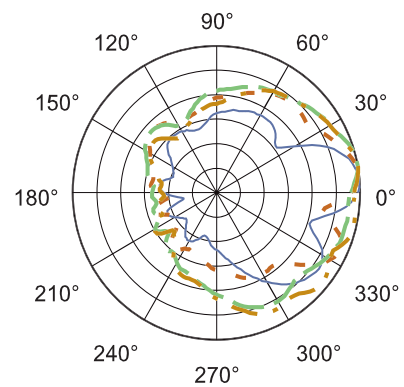
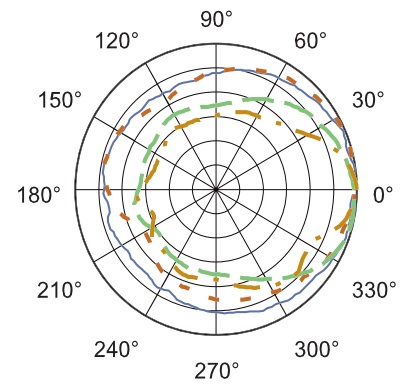


## Horizontal 1/3 Octave Polars:

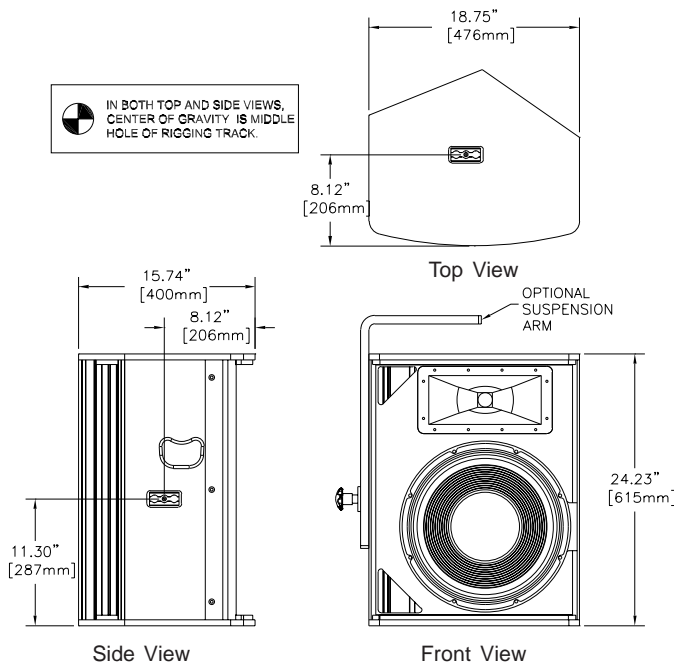


Graph scales are 6 dB per division

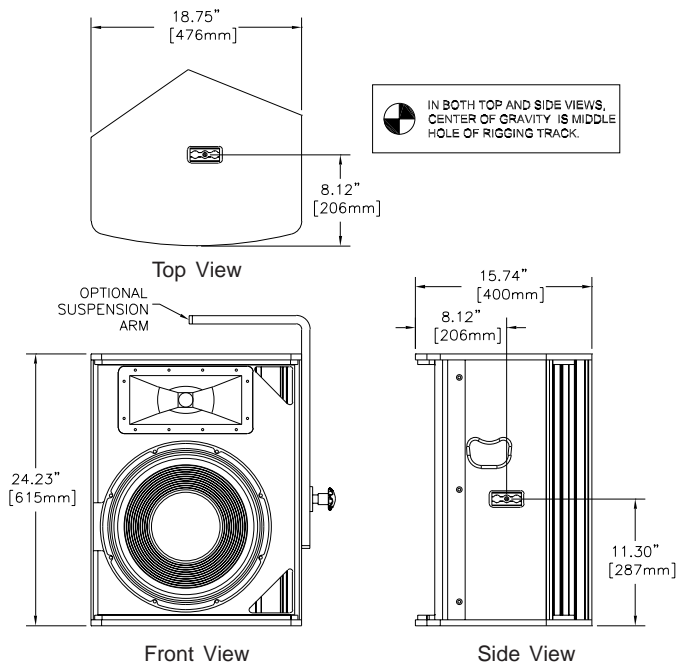
## Vertical 1/3 Octave Polars:



## Dimension Drawings:



**Plasma P1L (Left Version)**



**Plasma P1R (Right Version)**

### Plasma P1 (Right) Part Numbers

- 301504-001 - 120V
- 170297 - 230V

### Plasma P1 (Left) Part Numbers

- 301505-001 - 120V
- 170296 - 230V

### Performance Match

- 301506-001 Plasma P2 Subwoofer, Black Futura

### Accessories

- 301538-001 Suspension Arm, Vertical, PSA-V
- 301549-001 Pull-Back Kit, Plasma P1
- D112941 Truss Clamp<sup>1</sup>
- D112934 PowerCon to PowerCon 1.5M (4.5ft) Cable
- D112935 PowerCon to PowerCon 8M (24ft) Cable

<sup>1</sup> Requires Suspension Arm



12000 Portland Avenue South, Burnsville, MN 55337

Phone: 952/884-4051, Fax: 952/884-0043

[www.electrovoice.com](http://www.electrovoice.com)

© Telex Communications, Inc. 11/2003

Part Number 38110-310 Rev. A

U.S.A. and Canada only. For customer orders, contact Customer Service at:

**800/392-3497 Fax: 800/955-6831**

Europe, Africa, and Middle East only. For customer orders, contact Customer Service at:

**+ 49 9421-706 0 Fax: + 49 9421-706 265**

Other International locations. For customer orders, contact Customer Service at:

**+ 1 952 884-4051 Fax: + 1 952 736-4212**

For warranty repair or service information, contact the Service Repair department at:

**800/685-2606**

For technical assistance, contact Technical Support at: **866/78AUDIO**

Specifications subject to change without notice.