

KZ12

Ultra-miniature line array element



KZ12W



KZ12

FEATURES

- Invisible
- Ultra-strong, aluminium frame
- High dynamic range capability
- Only weighs 46 grams
- Weather proof, suitable for outdoor installations- IP54

APPLICATIONS

- Audio for exhibits and museum display
- Background music system in restaurants and clubs
- High quality distributed systems for paging and music
- Space-sensitive fill for broadcast

DESCRIPTION

The KZ12 Lyzard is a remarkable ultra-micro line array designed for discreet use in a variety of intimate environments such as restaurants, bars and museums.

The rugged enclosure contains a line array of 4 x 0.5" long excursion, full-range drivers housed in a sleek case built around a super strong chassis. The high efficiency drive units have neodymium magnet structures and suspensions engineered for maximum linear excursion and minimum residual transducer noise.

This miniature, slim column is only 1.2 cm wide and delivers true crystal clear audio

with an amazing output of 92 dB continuous - remarkable from such a miniscule enclosure!

The system delivers long throw and coherent coverage making it ideal for use in space constrained situations. Up to four Lyzards can be integrated with the KU sub bass line, extending the frequency range to 35 Hz. The KZ12 weighs a mere 46 g and measures 2.2 x 10 x 1.2cm.

All the KZ12 components are designed at our Florence-based R&D department. They are custom manufactured to our exact standards and quality control system in Italy.

COLORS AVAILABLE

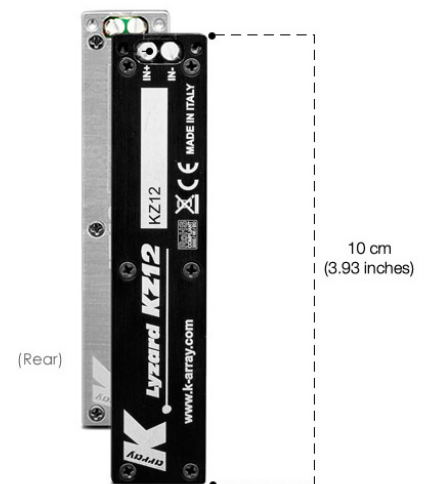
BLACK



SILVER



SPECIFIC RAL CODE FOR A CUSTOMIZED PAINTED MODEL



TECHNICAL SPECIFICATIONS

	ACOUSTICS
Max power handling	8 W
Impedance	16 Ω
Frequency range	250 Hz – 18 KHz +/- 6dB ⁽¹⁾
SPL 1W/1mt	82 dB ⁽²⁾
Maximum SPL	92 dB continuous – 98 dB peak ⁽³⁾
	COVERAGE
Horizontal	140°
Vertical	20°
	CROSSOVER
Type	External cross over required
Frequency	250Hz, 24dB/oct suggested minimum
	TRANSDUCERS
Full-range	4 x 0.5" Neodymium cone driver with 0.5" voice coil
	POWERED INPUT
Connectors	IN+ IN- (to be soldered or screwed)
	RECOMMENDED AMPLIFIERS
	KA14, KA24 for up to 4 units each channel
	PHYSICAL
Dimensions	2.1 x 10.0 x 1.2 cm (0.83"x 3.94"x 0.47")
Weight	45.5 g (0.10 lb)

Notes for data

1. With dedicated preset;
2. Measured @8 m, then scaled @1 m;
3. Measured with musical signal;

New materials and design are introduced into existing products without previous notice. Present systems may differ in some respects from those presented in this catalogue.

