

Owner's Manual

HDMI over Cat5 Active Extender

Models: B126-1A1-U and B126-1A0-U

Español p. 11 Français p. 21 Русский p. 31

PROTECT YOUR INVESTMENT!

Register your product for quicker service
and ultimate peace of mind.

You could also win an ISOBAR6ULTRA
surge protector—a \$100 value!

www.tripplite.com/warranty



1111 W. 35th Street, Chicago, IL 60609 USA • www.tripplite.com/support

Copyright © 2016 Tripp Lite. All rights reserved.

Product Features

- Extends a 1080p HDMI audio/video signal up to 125 ft. from the source
- B126-1A0-U works with a B126-002* or B126-004* extender/splitter transmitter unit
- Additional HDMI port allows for the connection of a local monitor (B126-1A1-U only)
- 3D and HDCP compliant
- Receiver units feature a built-in equalization control to adjust video image
- USB Micro-B ports supply power to the B126-1A1-U and B126-1A0-U; no external power supplies required
- HDMI connector with latches provides a more secure connection
- Supports stereo audio
- Compatible with all operating systems
- No software or drivers required

*For details on the B126-002 and/or B126-004, reference the owner's manual included with the unit. The manual can also be found at www.tripplite.com/support.

Package Contents

- Transmitter* and Receiver units
- USB Micro-B Cable(s) – 3 ft.*
- Screwdriver for Equalization adjustment
- Owner's Manual

*The B126-1A1-U comes with both Transmitter and Receiver units, as well as two USB Micro-B cables. The B126-1A0-U comes with a Receiver unit and one USB Micro-B cable.

Optional Accessories

- N202-Series Cat6 24 AWG Solid Wire Patch Cables
- P568-Series High Speed HDMI Cables
- UR05C-Series USB Micro-B Charge-Only Cables
- U280-002-W12 2-Port USB Wall Charger
- UAC-1B 1-Port USB Wall Charger

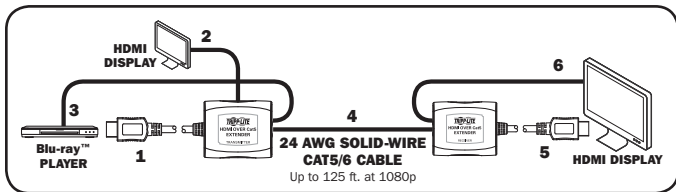
System Requirements

- Computer, Blu-ray™, or other source with an HDMI output port
- Display with an HDMI port

Extender Kit Installation

Notes:

1. Test to make sure the entire installation works properly before pulling cables through ceilings/walls.
2. To achieve maximum distance and performance, 24 AWG solid wire Cat5e/6 cable must be used. The use of stranded wire Cat5e/6 cable or cable with a gauge size higher than 24 AWG will result in shorter extension distance. All Tripp Lite N202-Series Cat6 cables are made with 24 AWG solid wire cabling.
3. Make sure the power to all devices you are connecting is turned off prior to installation.



1. Connect the built-in HDMI cable of the transmitter unit to the HDMI source.
2. **Optional:** Connect an HDMI monitor to the LOCAL port on the B126-1A1-U transmitter using a Tripp Lite P568-Series HDMI Cable.
3. Connect the included USB Micro-B Cable between the transmitter unit and a USB port on the source or a USB wall outlet.
4. Connect the RJ45 port on the transmitter to the RJ45 port on the receiver using Cat5e/6 cable.

Note: See the installation diagrams for maximum extension distance and video resolutions.

5. Connect the built-in HDMI cable of the receiver unit to an HDMI monitor input port.
6. Connect the included USB Micro-B cable between the receiver unit and a USB port on the display or a USB wall outlet.

Extender Kit Installation

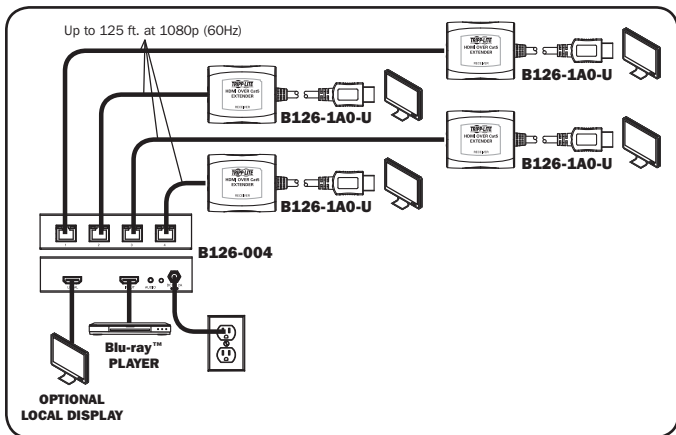
7. Turn on the power to the HDMI source and HDMI display. The green RJ45 LEDs on the transmitter and receiver units will illuminate to indicate they are receiving power. The orange RJ45 LEDs on the transmitter and receiver units will illuminate to indicate they are receiving a signal from the source.
8. If necessary, adjust the Equalization control on the receiver unit to improve the video image.

Note: *An improper Equalization setting can cause the monitor to display no picture at all. Try each Equalization setting until an acceptable image is displayed.*

Extender/Splitter Installation

Notes:

1. Test to make sure the entire installation works properly before pulling cables through ceilings/walls.
2. To achieve maximum distance and performance, 24 AWG solid wire Cat5e/6 cable must be used. The use of stranded wire Cat5e/6 cable or cable with a gauge size higher than 24 AWG will result in shorter extension distance.
3. Make sure the power to all devices you are connecting is turned off prior to installation.
4. The installation diagram shows the B126-004 local transmitter unit. The B126-002 installation is the same, except there are only 2 remote ports and no local monitor port.



Extender/Splitter Installation

1. Connect the HDMI source to the INPUT port on the B126-002 or B126-004 using a Tripp Lite P568-Series HDMI Cable.
2. **Optional for B126-004:** Connect an HDMI monitor to the LOCAL port on the B126-004 using a Tripp Lite P568-Series HDMI Cable.
3. Connect the external power supply to the transmitter unit and plug it into a Tripp Lite Surge Protector, PDU or UPS. The green LED illuminates to indicate the unit is receiving power from the external power supply.
4. Using Cat5e/6 cable, connect one of the RJ45 output ports on the transmitter unit to the RJ45 input port on the B126-1A0-U.
5. Connect the B126-1A0-U to a monitor using its built-in HDMI Cable.
6. Connect the included USB Micro-B cable to the port on the B126-1A0-U and a USB port on the display or a USB wall outlet. The green LED will illuminate, indicating the unit is receiving power from the USB Micro-B port.
7. Repeat Steps 4-7 for each additional B126-1A0-U in the installation.
8. Turn on the power to the HDMI source and HDMI displays. The orange RJ45 LEDs illuminate on both transmitter and receivers to indicate the unit is receiving a signal from the source. The screen should now be displayed on the connected monitors.
9. If necessary, use the Equalization control on the B126-1A0-U to adjust the video image.

Note: *An improper Equalization setting can cause the monitor to display no picture at all. Try each Equalization setting until an acceptable picture is displayed.*

Troubleshooting

If you are unable to get an acceptable image after following the installation instructions, try the troubleshooting tips below.

- 1. Is the USB Micro-B cable that came with the product connected and plugged into a working power source?** For the product to function properly, the transmitter and receiver must be connected to and receiving power from the USB Micro-B cable.
- 2. Was the power to the HDMI source turned off prior to installation?** If not, restart.
- 3. What resolution are you trying to reach?** See the **Product Features** and **Installation** sections in this manual for details on maximum distance and resolution. The shorter the extension distance, the higher the resolution you will be able to obtain. If you are not able to get an acceptable image, try lowering your computer's video resolution or adjusting the refresh rate.
- 4. What type of cabling are you using?** Inferior cabling can result in poor performance, so it is important that you use cables that can support the video resolution you are trying to obtain. To achieve maximum distance and resolution, 24 AWG solid-wire UTP cable (such as Tripp Lite's N202-Series cables) must be used.
- 5. Test your cables to ensure they are working properly.** For example, connect your Cat5e/6 cable between a computer and a network to verify that it establishes a network connection.
- 6. Do you have any patch panels or other devices in between the transmitter and receiver units?** Tripp Lite's HDMI over Cat5 extender kits were designed to be connected directly from the transmitter to the receiver via UTP cable. The more connection points between the source and the remote monitor, the more likely signal degradation will occur, causing poor performance. If you have a patch panel or other device in between, it should be removed from the installation.

Troubleshooting

- 7. Do you have a splitter, switch or other device in between the computer and transmitter, or in between the receiver and display?** Tripp Lite's HDMI over Cat5 extender kits were designed for the transmitter to connect directly with the source computer, and for the receiver to connect directly to the display. If you have a splitter, switch, or other device in between, it should be removed from the installation.
- 8. Check your cabling for any damage that may have occurred during installation.** If a cable connector is loosened from being pulled through ceilings/walls, or the cable jacket is damaged, causing the wiring to be exposed, you will not be able to achieve maximum performance.
- 9. Are the transmitter and/or receiver units located in an area that exposes them to elevated temperatures?** If the product is overheating, it will not function properly.

Warranty and Product Registration

1-Year Limited Warranty

TRIPP LITE warrants its products to be free from defects in materials and workmanship for a period of one (1) year from the date of initial purchase. TRIPP LITE's obligation under this warranty is limited to repairing or replacing (at its sole option) any such defective products. To obtain service under this warranty, you must obtain a Returned Material Authorization (RMA) number from TRIPP LITE or an authorized TRIPP LITE service center. Products must be returned to TRIPP LITE or an authorized TRIPP LITE service center with transportation charges prepaid and must be accompanied by a brief description of the problem encountered and proof of date and place of purchase. This warranty does not apply to equipment, which has been damaged by accident, negligence or misapplication or has been altered or modified in any way.

EXCEPT AS PROVIDED HEREIN, TRIPP LITE MAKES NO WARRANTIES, EXPRESS OR IMPLIED, INCLUDING WARRANTIES OF MERCHANTABILITY AND FITNESS FOR A PARTICULAR PURPOSE.

Some states do not permit limitation or exclusion of implied warranties; therefore, the aforesaid limitation(s) or exclusion(s) may not apply to the purchaser.

EXCEPT AS PROVIDED ABOVE, IN NO EVENT WILL TRIPP LITE BE LIABLE FOR DIRECT, INDIRECT, SPECIAL, INCIDENTAL OR CONSEQUENTIAL DAMAGES ARISING OUT OF THE USE OF THIS PRODUCT, EVEN IF ADVISED OF THE POSSIBILITY OF SUCH DAMAGE. Specifically, TRIPP LITE is not liable for any costs, such as lost profits or revenue, loss of equipment, loss of use of equipment, loss of software, loss of data, costs of substitutes, claims by third parties, or otherwise.

Warranty and Product Registration

Product Registration

Visit www.tripplite.com/warranty today to register your new Tripp Lite product. You'll be automatically entered into a drawing for a chance to win a FREE Tripp Lite product!*

* No purchase necessary. Void where prohibited. Some restrictions apply. See website for details.

FCC Notice, Class B

This device complies with part 15 of the FCC Rules. Operation is subject to the following two conditions: (1) This device may not cause harmful interference, and (2) this device must accept any interference received, including interference that may cause undesired operation.

Note: This equipment has been tested and found to comply with the limits for a Class B digital device, pursuant to part 15 of the FCC Rules. These limits are designed to provide reasonable protection against harmful interference in a residential installation. This equipment generates, uses and can radiate radio frequency energy and, if not installed and used in accordance with the instructions, may cause harmful interference to radio communications. However, there is no guarantee that interference will not occur in a particular installation. If this equipment does cause harmful interference to radio or television reception, which can be determined by turning the equipment off and on, the user is encouraged to try to correct the interference by one or more of the following measures:

- Reorient or relocate the receiving antenna.
- Increase the separation between the equipment and receiver.
- Connect the equipment into an outlet on a circuit different from that to which the receiver is connected.
- Consult the dealer or an experienced radio/TV technician for help.

Any changes or modifications to this equipment not expressly approved by Tripp Lite could void the user's authority to operate this equipment.

WEEE Compliance Information for Tripp Lite Customers and Recyclers (European Union)



Under the Waste Electrical and Electronic Equipment (WEEE) Directive and implementing regulations, when customers buy new electrical and electronic equipment from Tripp Lite they are entitled to:



- Send old equipment for recycling on a one-for-one, like-for-like basis (this varies depending on the country)
- Send the new equipment back for recycling when this ultimately becomes waste

Use of this equipment in life support applications where failure of this equipment can reasonably be expected to cause the failure of the life support equipment or to significantly affect its safety or effectiveness is not recommended.

Tripp Lite has a policy of continuous improvement. Specifications are subject to change without notice.



1111 W. 35th Street, Chicago, IL 60609 USA • www.tripplite.com/support

Manual del Propietario

Extensor Activo HDMI sobre Cat5

Modelos: B126-1A1-U y B126-1A0-U

English p. 1 Français p. 21 Русский p. 31



1111 W. 35th Street, Chicago, IL 60609 EE. UU. • www.tripplite.com/support

Copyright © 2016 Tripp Lite. Todos los derechos reservados.

Características del Producto

- Extiende una señal HDMI 1080p hasta a 38.1 m [125 pies] de la fuente
- El B126-1A0-U trabaja con una unidad transmisora Extensora / Divisora B126-002* o B126-004*
- Un puerto HDMI adicional permite la conexión de un monitor local (B126-1A1-U solamente)
- Compatible con 3D y HDCP
- Las unidades receptoras cuentan con un control de ecualización incorporado para ajustar la imagen de video
- Los puertos Micro USB alimentan al B126-1A1-U y B126-1A0-U; no requiere fuente de alimentación externa
- El conector HDMI con seguro proporciona una conexión más segura
- Soporta audio estéreo
- Compatible con todos los sistemas operativos
- No se necesitan software o controladores

*Para detalles sobre el B126-002 y/o B126-004, consulte el manual del propietario incluido con la unidad. El manual se encuentra también en www.tripplite.com/support.

Contenido del Empaque

- Unidades Transmisora* y Receptora
- Cable(s) USB Micro-B – 91 cm [3 pies]
- Desatornillador para ajuste de ecualización
- Manual del Propietario

*El B126-1A1-U viene con las unidades Transmisora y Receptora, así como dos cables USB Micro-B. El B126-1A0-U viene con una unidad Receptora y un cable USB Micro-B.

Accesorios Opcionales

- Cables Patch Cat6 de Alambre Sólido 24 AWG de la Serie N202
- Cables HDMI de Alta Velocidad de la Serie P568
- Cables para Carga Solamente USB Micro-B de la Serie UR05C
- U280-002-W12 - Cargador USB de 2 Puertos para Pared
- UAC-1B - Cargador USB de 1 Puerto para Pared

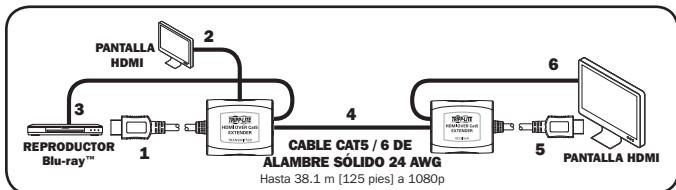
Requisitos del Sistema

- Una computadora, Blu-ray™ u otra fuente con un puerto de salida HDMI
- Pantalla con un puerto HDMI

Instalación del Juego Extensor

Notas:

1. Pruebe para asegurarse de que toda la instalación funciona correctamente antes de jalar los cables a través de techos y paredes.
2. Para conseguir la distancia y rendimiento máximos, debe usarse cable Cat5e / 6 de alambre sólido 24 AWG. El uso de cable Cat5e / 6 cable de alambre trenzado o cable con un tamaño de calibre mayor a 24 AWG resultará en una distancia de extensión más corta. Todos los cables Cat6 de la Serie N202 de Tripp Lite están hechos con cableado de alambre sólido 24 AWG.
3. Asegúrese de que la alimentación a todos los dispositivos que están conectados esté apagada antes de la instalación.



1. Conecte a la fuente HDMI el cable HDMI incorporado en la unidad transmisora.
2. **Opcional:** Conecte un monitor HDMI en el puerto LOCAL del transmisor B126-1A1-U mediante un cable HDMI de la serie P568 de Tripp Lite.
3. Conecte el Cable USB Micro-B incluido entre el transmisor y un puerto USB de la fuente o un tomacorrientes USB de pared.
4. Conecte el puerto RJ45 del transmisor al puerto RJ45 en el receptor usando un cable Cat5e / 6.

Nota: Vea los diagramas de instalación para consultar la distancia máxima de extensión y las resoluciones de vídeo.

5. Conecte el cable HDMI incorporado de la unidad receptora a un puerto de entrada HDMI del monitor.

Instalación del Juego Extensor

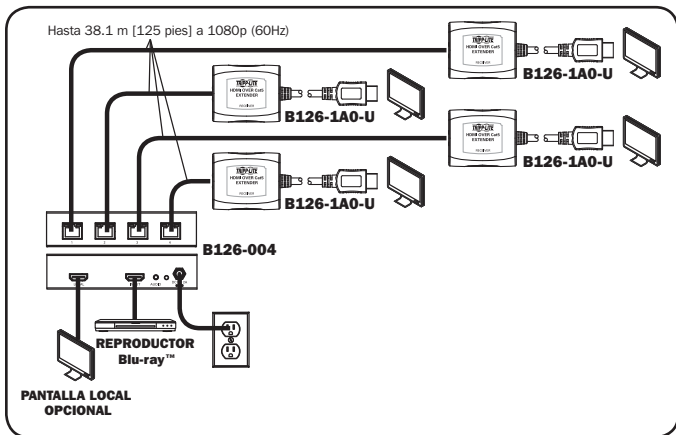
6. Conecte el Cable USB Micro-B entre el receptor y un puerto USB de la pantalla o un tomacorrientes USB de pared.
7. Encienda la fuente HDMI y la pantalla HDMI. Los LEDs verdes RJ45 en las unidades transmisora y receptora se iluminarán para indicar que están recibiendo energía. Los LEDs color naranja RJ45 en las unidades transmisora y receptora se iluminarán para indicar que están recibiendo una señal de la fuente.
8. Si es necesario, ajuste el control de Ecuilización en la unidad receptora para mejorar la imagen de video.

Nota: *Un ajuste inadecuado de la ecualización puede causar que el monitor no muestre ninguna imagen. Pruebe cada ajuste de ecualización hasta que aparezca una imagen aceptable.*

Instalación del Extensor / Divisor

Notas:

1. Pruebe para asegurarse de que toda la instalación funciona correctamente antes de jalar los cables a través de techos y paredes.
2. Para conseguir la distancia y rendimiento máximos, debe usarse cable Cat5e / 6 de alambre sólido 24 AWG. El uso de cable Cat5e / 6 de alambre trenzado o cable con un tamaño de calibre mayor a 24 AWG resultará en una distancia de extensión más corta. Todos los cables Cat6 de la Serie N202 de Tripp Lite están hechos con cableado de alambre sólido 24 AWG.
3. Asegúrese de que la alimentación a todos los dispositivos que están conectados esté apagada antes de la instalación.
4. El diagrama de instalación muestra la unidad transmisora local B126-004. La instalación del B126-002 es la misma, excepto sólo en que hay 2 puertos remotos y no hay puerto de monitor local.



Instalación del Extensor / Divisor

1. Conecte la fuente de HDMI al puerto de ENTRADA del B126-002 o B126-004 usando un cable HDMI de la serie P568 de Tripp Lite.
2. **Opcional para el B126-004:** Conecte un monitor HDMI en el puerto LOCAL del B126-004 mediante un cable HDMI de la serie P568 de Tripp Lite.
3. Conecte la fuente de alimentación externa a la unidad transmisora y enchúfela en un Supresor de Sobretensiones, PDU o UPS de Tripp Lite. El LED verde se ilumina para indicar que la unidad está recibiendo energía de la fuente de alimentación externa.
4. Usando cable Cat5e / 6, conecte uno de los puertos de salida RJ45 en la unidad transmisora al puerto de entrada RJ45 en el U-1A0-B126.
5. Conecte el B126-1A0-U a un monitor mediante el Cable HDMI incorporado.
6. Conecte el Cable USB Micro-B al puerto en el B126-1A0-U y un puerto USB en la pantalla o un tomacorrientes USB de pared. El LED verde se iluminará, indicando que la unidad está recibiendo energía desde el puerto USB Micro-B.
7. Repita los pasos 4-7 para cada B126-1A0-U adicional en la instalación.
8. Encienda la fuente HDMI y las pantallas HDMI. Los LEDs color naranja RJ45 en ambos receptores se iluminarán para indicar que unidad está recibiendo una señal de la fuente. La pantalla debe conectarse ahora en los monitores conectados.
9. Si es necesario, use el control de ecualización en el B126-1A0-U para ajustar la imagen de video.

Nota: *Un ajuste inadecuado de la ecualización puede causar que el monitor no muestre ninguna imagen. Pruebe cada ajuste de ecualización hasta que aparezca una imagen aceptable.*

Solución de Problemas

Si es incapaz de conseguir una imagen aceptable después de seguir las instrucciones de instalación, intente los siguientes consejos.

- 1. ¿Está el cable USB Micro-B que viene con el producto conectado y enchufado a una fuente de alimentación que funciona?** Para que el producto funcione correctamente, el transmisor y el receptor deben conectarse y recibir alimentación desde el cable USB Micro-B.
- 2. ¿Estaba apagada la energía de la fuente de HDMI antes de la instalación?** Si no, reinicie.
- 3. ¿Qué resolución está intentando alcanzar?** Para detalles sobre la distancia máxima y resolución, consulte las secciones de **Características del Producto** e **Instalación** en este manual. Cuanto menor sea la distancia de extensión, mayor será la resolución que usted podrá obtener. Si no puede conseguir una imagen aceptable, trate de bajar la resolución de video de su computadora o ajustar la frecuencia de actualización.
- 4. ¿Qué tipo de cableado está usando?** Un cableado inferior puede resultar en bajo rendimiento, por lo que es importante utilizar cables que soporten la resolución de vídeo que está intentando obtener. Para conseguir la distancia y resolución máximas, debe usarse un cable UTP de alambre sólido 24 AWG, como el Serie N202 de Tripp Lite.
- 5. Pruebe los cables para asegurarse de que funcionan correctamente.** Por ejemplo, conecte el cable de Cat5e / 6 entre una computadora y una red para verificar que establece una conexión de red.
- 6. ¿Tienes paneles de conexiones u otros dispositivos entre las unidades transmisora y receptora?** Los juegos de extensores HDMI sobre Cat5 de Tripp Lite fueron diseñados para conectarse directamente desde el transmisor al receptor mediante cable UTP. Mientras más puntos de conexión entre la fuente y el monitor remoto hayan, existe mayor probabilidad de degradación de la señal, causando rendimiento deficiente. Si tiene un panel de conexiones u otro dispositivo en el medio, deben retirarse de la instalación.

Solución de Problemas

- 7. ¿Tiene un divisor, switch u otro dispositivo entre el transmisor y la computadora o entre el receptor y la pantalla?** Los juegos de extensores HDMI sobre Cat5 de Tripp Lite fueron diseñados para que el transmisor se conecte directamente con la computadora fuente y para que el receptor se conecte directamente a la pantalla. Si tiene un divisor, switch u otro dispositivo en el medio, debe retirarse de la instalación.
- 8. Compruebe el cableado para detectar cualquier daño que pueda haber ocurrido durante la instalación.** Si un conector de cable se afloja al ser jalado a través de techos y paredes o el forro del cable se daña, causando que se exponga el cableado, usted no podrá lograr el máximo rendimiento.
- 9. ¿Están las unidades transmisora y receptora situadas en una zona que las expone a temperaturas elevadas?** Si el producto se sobrecalienta, no trabajará correctamente.

Garantía

Garantía limitada por 1 año

TRIPP LITE garantiza por un (1) año a partir de la fecha de compra inicial que este producto no tiene defectos de materiales ni de mano de obra. La obligación TRIPP LITE bajo esta garantía está limitada a la reparación o reemplazo (A su entera discreción) de cualquier producto defectuoso. Para obtener servicio bajo esta garantía, debe obtener un número de Autorización de Devolución de Mercancía (RMA) de TRIPP LITE o de un centro de servicio autorizado de TRIPP LITE. Los productos deben ser regresados a TRIPP LITE o a un centro de servicio autorizado de TRIPP LITE con los cargos de transporte prepagados y deben acompañarse con una breve descripción del problema y un comprobante de la fecha y el lugar de compra. Esta garantía no se aplica a equipos que hayan sido dañados por accidente, negligencia o mal uso, o hayan sido alterados o modificados de alguna manera.

EXCEPTO COMO SE INDICA EN EL PRESENTE, TRIPP LITE NO HACE GARANTÍAS EXPRESAS O IMPLÍCITAS, INCLUIDAS GARANTÍAS DE COMERCIABILIDAD Y ADECUACIÓN PARA UN PROPÓSITO PARTICULAR.

Algunos estados no permiten la limitación o exclusión de garantías implícitas; por lo tanto, las limitaciones o exclusiones antes mencionadas pueden no aplicarse al comprador.

EXCEPTO COMO SE INDICA ANTERIORMENTE, EN NINGÚN CASO TRIPP LITE SERÁ RESPONSABLE POR DAÑOS DIRECTOS, INDIRECTOS, ESPECIALES, INCIDENTALES O CONSECUENTES QUE SURJAN DEL USO DE ESTE PRODUCTO, INCLUSO SI SE ADVIERTE SOBRE LA POSIBILIDAD DE TAL DAÑO. Específicamente, TRIPP LITE no es responsable por ningún costo, como pérdida de utilidades o ingresos, pérdida de equipos, pérdida del uso de equipos, pérdida de software, pérdida de datos, costos de sustituciones, reclamaciones de terceros o de cualquier otra forma.

Información de Cumplimiento con WEEE para Clientes y Recicladores de Tripp Lite (Unión Europea)



Bajo la Directiva de Desechos de Equipos Eléctricos y Electrónicos (WEEE) [Waste Electrical and Electronic Equipment] y regulaciones aplicables, cuando los clientes adquieren un nuevo equipo eléctrico y electrónico de Tripp Lite están obligados a:

- Enviar el equipo viejo a reciclado en una base de uno por uno, equivalente por equivalente (esto varía de un país a otro)
- Regrese el equipo nuevo para reciclado una vez que finalmente sea un desecho

No se recomienda el uso de este equipo en aplicaciones de soporte de vida en donde razonablemente se pueda esperar que la falla de este equipo cause la falla del equipo de soporte de vida o afectar significativamente su seguridad o efectividad.

Tripp Lite tiene una política de mejora continua. Las especificaciones están sujetas a cambios sin previo aviso.

TRIPP·LITE



1111 W. 35th Street, Chicago, IL 60609 EE. UU. • www.triplite.com/support

Manuel de l'utilisateur

HDMI sur unité de raccordement actif Cat5

Modèles : B126-1A1-U et B126-1A0-U

English p. 1 Español p. 11 Русский p. 31



1111 W. 35th Street, Chicago, IL 60609 USA • www.tripplite.com/support

Droits d'auteur © 2016 Tripp Lite. Tous droits réservés.

Caractéristiques du produit

- Prolonge un signal audio/vidéo HDMI 1 080 p jusqu'à 38,1 m (125 pi) de la source
- B126-1A0-U fonctionne avec un prolongateur/bloc émetteur pour coupleur B126-002* ou B126-004*
- Le port HDMI supplémentaire permet la connexion d'un moniteur local (B126-1A1-U seulement)
- Compatible 3D et HDCP
- Les appareils récepteurs comportent un égalisateur intégré pour ajuster l'image vidéo
- Les ports USB Micro-B fournissent de l'alimentation au B126-1A1-U et B126-1A0-U; aucune alimentation externe requise
- Le connecteur HDMI avec loquets fournit une connexion plus sécurisée
- Prend en charge l'audio stéréo
- Compatible avec tous les systèmes d'exploitation
- Aucun logiciel ou lecteurs requis

*Pour des détails sur le B126-002 ou le B126-004, consulter le manuel de l'utilisateur inclus avec l'appareil. Le manuel est également disponible en visitant www.tripplite.com/support.

Contenu de l'emballage

- Transmetteurs* et appareils récepteurs
- Câble/câbles USB Micro-B – 0,91 m (3 pi)*
- Tournevis pour le réglage de l'égalisateur
- Manuel de l'utilisateur

*Le B126-1A1-U est équipé d'un transmetteur et d'un appareil récepteur, de même que deux câbles USB Micro-B. Le B126-1A0-U est équipé d'un appareil récepteur et d'un câble USB Micro-B.

Accessoires en option

- Cordons de raccordement à fils rigides 24 AWG Cat6 de série N202
- Câbles HDMI haute vitesse de série P568
- Câbles de chargement seulement USB Micro-B de série UR05C
- Chargeur mural USB à 2 ports U280-002-W12
- Chargeur mural USB à 1 port UAC-1B

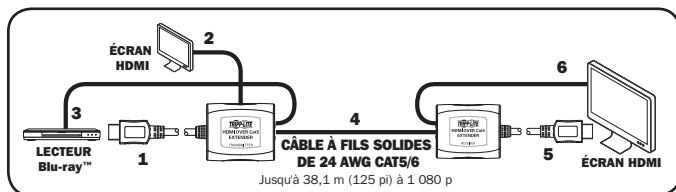
Configuration requise

- Ordinateur, Blu-ray™ ou autre source avec un port de sortie HDMI
- Écran avec port HDMI

Installation de la trousse du prolongateur

Remarques :

1. Effectuer un essai pour s'assurer que l'ensemble de l'installation fonctionne correctement avant de tirer les câbles à travers les plafonds/murs.
2. Pour obtenir la distance et la performance maximales, utiliser un câble Cat5e/6 à fils rigides 24 AWG. L'utilisation d'un câble Cat5e/6 à fils à toron ou d'un câble dont le calibre est supérieur à 24 AWG donnera lieu à une distance d'extension plus courte. Tous les câbles Cat6 de la série N202 Tripp Lite sont faits de câblage à fils rigides de 24 AWG.
3. S'assurer que l'alimentation de tous les appareils raccordés est hors tension avant l'installation.



1. Raccorder le câble HDMI intégré du bloc émetteur à la source HDMI.
2. **Facultatif :** Raccorder un moniteur HDMI au port LOCAL sur le transmetteur B126-1A1-U en utilisant un câble HDMI de la série P568 Tripp Lite.
3. Raccorder le câble Micro-B USB inclus entre le transmetteur et un port USB sur la source ou une sortie murale USB.
4. Raccorder le port RJ45 sur le transmetteur au port RJ45 sur le récepteur en utilisant un câble Cat5e/6.

Remarque : Voir les schémas d'installation pour une distance d'extension maximale et les résolutions vidéo.

5. Raccorder le câble HDMI intégré de l'appareil récepteur à un port d'entrée du moniteur HDMI.

Installation de la trousse du prolongateur

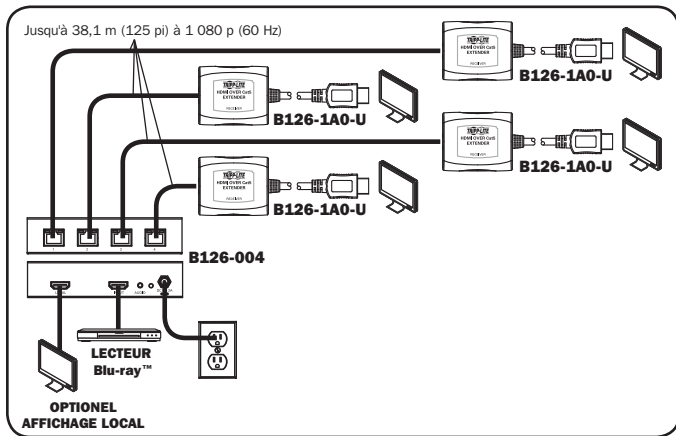
6. Raccorder le câble Micro-B USB inclus entre l'appareil récepteur et un port USB sur l'écran ou une sortie murale USB.
7. Mettre la source HDMI et l'écran sous tension. Les voyants à DEL verts RJ45 sur le transmetteur et les appareils récepteurs s'allumeront pour indiquer qu'ils sont alimentés. Les voyants à DEL orange RJ45 sur le transmetteur et les appareils récepteurs s'allumeront pour indiquer qu'ils reçoivent un signal de la source.
8. Au besoin, régler l'égalisateur sur l'appareil récepteur pour améliorer l'image vidéo.

Remarque : Un mauvais réglage peut amener le moniteur à n'afficher aucune image. Essayer chaque paramètre de l'égalisateur jusqu'à ce qu'une image acceptable soit affichée.

Installation du prolongateur/coupleur

Remarques :

1. Effectuer un essai pour s'assurer que l'ensemble de l'installation fonctionne correctement avant de tirer les câbles à travers les plafonds/murs.
2. Pour obtenir la distance et la performance maximales, utiliser un câble Cat5e/6 à fils rigides 24 AWG. L'utilisation d'un câble Cat5e/6 à fils à toron ou d'un câble dont le calibre est supérieur à 24 AWG donnera lieu à une distance d'extension plus courte. Tous les câbles Cat6 de la série N202 Tripp Lite sont faits de câblage à fils rigides de 24 AWG.
3. S'assurer que l'alimentation de tous les appareils raccordés est hors tension avant l'installation.
4. Le schéma d'installation illustre le transmetteur local B126-004. L'installation du B126-002 est la même, sauf qu'il y a seulement 2 ports à distance et aucun port du moniteur local.



Installation du prolongateur/coupleur

1. Raccorder la source HDMI au port INPUT (entrée) sur le B126-002 ou le B126-004 en utilisant un câble HDMI de série P568 Tripp Lite.
2. **Facultatif pour B126-004** : Raccorder un moniteur HDMI au port LOCAL sur le B126-004 en utilisant un câble HDMI de série P568 Tripp Lite.
3. Raccorder l'alimentation externe au transmetteur, puis le brancher à un parasurtenseur Tripp Lite, une PDU ou un onduleur. Le voyant à DEL vert s'allume pour indiquer que l'appareil est alimenté par l'alimentation externe.
4. En utilisant le câble Cat5e/6, raccorder un des ports de sortie RJ45 sur le transmetteur au port de sortie RJ45 sur le B126-1A0-U.
5. Raccorder le B126-1A0-U à un moniteur en utilisant son câble HDMI intégré.
6. Raccorder le câble USB Micro-B inclus au port sur le B126-1A0-U et un port USB sur l'écran ou une sortie murale USB. Le voyant à DEL vert s'allumera pour indiquer que l'appareil est alimenté par le port USB Micro-B.
7. Répéter les étapes 4 à 7 pour chaque B126-1A0-U supplémentaire de l'installation.
8. Mettre la source HDMI et les écrans sous tension. Les voyants à DEL orange RJ45 s'allument sur le transmetteur et les récepteurs pour indiquer que l'appareil reçoit un signal de la source. L'écran devrait maintenant être affiché sur les moniteurs connectés.
9. Au besoin, utiliser l'égalisateur sur le B126-1A0-U pour régler l'image vidéo.

Remarque : Un mauvais réglage peut amener le moniteur à n'afficher aucune image. Essayer chaque paramètre de l'égalisateur jusqu'à ce qu'une image acceptable soit affichée.

Dépannage

S'il n'est pas possible d'obtenir une image acceptable après avoir suivi les instructions d'installation, suivre les conseils de dépannage ci-dessous.

- 1. Est-ce que le câble USB Micro-B fourni avec le produit est connecté et branché à une source en bon état de fonctionnement?** Pour que le produit fonctionne correctement, le transmetteur et le récepteur doivent être connectés au câble USB Micro-B et en recevoir de l'alimentation.
- 2. L'alimentation de la source HDMI a-t-elle été mise sous tension avant l'installation?** Si non, procéder à un redémarrage.
- 3. Quelle résolution cherchez-vous à obtenir?** Voir les sections **Caractéristiques du produit** et **Installation** dans le présent manuel pour des détails sur la distance et la résolution maximales. Plus la distance de la rallonge est courte, plus la résolution obtenue sera élevée. S'il n'est pas possible d'obtenir une image acceptable, essayer de réduire la résolution vidéo de l'ordinateur ou d'ajuster le taux de rafraîchissement.
- 4. Quel type de câblage est utilisé?** Le câblage de qualité inférieure peut entraîner une mauvaise performance, il est donc important d'utiliser des câbles qui peuvent prendre en charge la résolution vidéo souhaitée. Pour obtenir la distance et la performance maximales, utiliser un câble UTP à fils rigides de 24 AWG (comme des câbles de série N202 de Tripp Lite).
- 5. Tester les câbles pour s'assurer qu'ils fonctionnent correctement.** Par exemple, raccorder le câble Cat5e/6 entre un ordinateur et un réseau pour vérifier qu'il s'établit une connexion réseau.

Dépannage

- 6. Y a-t-il des panneaux de câblage ou d'autres dispositifs entre le transmetteur et les appareils récepteurs?** Les troussees du prolongateur HDMI sur Cat5 de Tripp Lite ont été conçues pour être raccordées directement du transmetteur au récepteur via le câble UTP. Plus il y a de points de connexion entre la source et le moniteur à distance, plus le signal est susceptible à la dégradation, causant une mauvaise performance. S'il y a un panneau de câblage ou un autre dispositif entre les deux, il devrait être retiré de l'installation.
- 7. Est-ce qu'il y a un coupleur, un commutateur ou un autre appareil entre l'ordinateur et le transmetteur, ou entre le récepteur et l'écran?** Les troussees du prolongateur HDMI sur Cat5 de Tripp Lite ont été conçues pour permettre au transmetteur de se raccorder directement à l'ordinateur source et pour permettre au récepteur de se raccorder directement à l'écran. S'il y a un coupleur, un commutateur ou un autre dispositif entre les deux, il devrait être retiré de l'installation.
- 8. Vérifier le câblage pour s'assurer de l'absence de tout dommage qui aurait pu survenir durant l'installation.** Si un connecteur de câble est desserré après avoir été tiré à travers les plafonds/murs, ou si la gaine du câble est endommagée, exposant ainsi le câblage, il ne sera pas possible d'atteindre la performance maximale.
- 9. Le transmetteur ou les appareils récepteurs se trouvent-ils dans un endroit où ils sont exposés à des températures élevées?** Si le produit surchauffe, il ne fonctionnera pas correctement.

Garantie

Garantie limitée d'un (1) an

TRIPP LITE garantit que ses produits sont exempts de vices de matériaux et de fabrication pendant une période d'un (1) an à partir de la date d'achat initiale. La responsabilité de TRIPP LITE, en vertu de la présente garantie, se limite à la réparation ou au remplacement (à sa seule discrétion) de ces produits défectueux. Pour obtenir réparation sous cette garantie, vous devez obtenir un numéro d'autorisation de retour de matériel (RMA) auprès de TRIPP LITE ou d'un centre de réparation reconnu par TRIPP LITE. Les produits doivent être retournés à TRIPP LITE ou à un centre de réparation autorisé par TRIPP LITE en port prépayé et être accompagnés d'une brève description du problème et d'un justificatif de la date et du lieu d'achat. Cette garantie ne s'applique pas au matériel ayant été endommagé suite à un accident, à une négligence ou à une application abusive, ou ayant été altéré ou modifié d'une façon quelconque.

SAUF INDICATION CONTRAIRE DANS LES PRÉSENTES, TRIPP LITE N'ÉMET AUCUNE GARANTIE, EXPRESSE OU TACITE, Y COMPRIS DES GARANTIES DE QUALITÉ COMMERCIALE ET D'ADÉQUATION À UN USAGE PARTICULIER.

Certains États n'autorisant pas la limitation ni l'exclusion de garanties tacites, les limitations ou exclusions susmentionnées peuvent ne pas s'appliquer à l'acheteur.

À L'EXCEPTION DES DISPOSITIONS CI-DESSUS, TRIPP LITE NE POURRA EN AUCUN CAS ÊTRE TENUE RESPONSABLE DE DOMMAGES DIRECTS, INDIRECTS, SPÉCIAUX, FORTUITS OU CONSÉCUTIFS RÉSULTANT DE L'UTILISATION DE CE PRODUIT, MÊME SI AYANT ÉTÉ AVISÉE DE L'ÉVENTUALITÉ DE TELS DOMMAGES. Plus précisément, Tripp Lite ne pourra être tenue responsable de coûts, tels que perte de bénéfices ou de recettes, perte de matériel, impossibilité d'utilisation du matériel, perte de logiciel, perte de données, frais de produits de remplacement, réclamations d'un tiers ou autres.

Renseignements sur la conformité à la directive DEEE pour les clients de Tripp Lite et les recycleurs (Union européenne)



En vertu de la directive et des règlements d'application relatifs aux déchets d'équipements électriques et électroniques (DEEE), lorsque des clients achètent de l'équipement électrique et électronique neuf de Tripp Lite, ils ont droit :

- D'envoyer l'équipement usagé au recyclage pourvu qu'il remplace un équipement équivalent (cela varie selon les pays)
- De retourner le nouvel équipement afin qu'il soit recyclé à la fin de sa vie utile.

Il n'est pas recommandé d'utiliser cet équipement pour des appareils de survie où une défaillance de cet équipement peut, selon toute vraisemblance, entraîner la défaillance de l'appareil de maintien de la vie ou affecter de façon majeure sa sécurité ou son efficacité.

La politique de Tripp Lite en est une d'amélioration continue. Les caractéristiques techniques sont sujettes à changement sans préavis.



1111 W. 35th Street, Chicago, IL 60609 USA • www.triplite.com/support

Руководство пользователя

Активный ретранслятор HDMI через кабель Cat5

Модели: B126-1A1-U и B126-1A0-U

English p. 1 Español p. 11 Français p. 21



1111 W. 35th Street, Chicago, IL 60609 USA • www.triplite.com/support

Охраняется авторским правом © 2016 Tripp Lite. Перепечатка запрещается.

Характеристики продукта

- Обеспечивает ретрансляцию аудио-/видеосигнала стандарта 1080p HDMI на расстояние до 38 м от источника
- Модель B126-1A0-U работает с передающим модулем ретранслятора/разветвителя B126-002* или B126-004*
- Дополнительный порт HDMI обеспечивает возможность подключения локального монитора (только для мод. B126-1A1-U)
- Соответствие требованиям стандартов 3D и HDCP
- Приемные модули имеют встроенный эквалайзер для коррекции параметров видеоизображения
- Электропитание устройств B126-1A1-U и B126-1A0-U обеспечивается через порты USB Micro-B, что исключает необходимость в использовании внешних источников питания
- Разъем HDMI с защелками обеспечивает более надежное соединение
- Поддержка стереозвука
- Совместимость со всеми типами операционных систем
- Отсутствие необходимости в установке программного обеспечения и драйверов

*Подробные описания модулей B126-002 и/или B126-004 представлены в руководстве пользователя, поставляемом в комплекте с устройством. Руководство также представлено на странице www.tripplite.com/support.

Содержимое упаковки

- Передающий* и приемный модули
- Кабель(-и) с разъемами USB Micro-B (длина 0,9 м)*
- Отвертка для настройки эквалайзера
- Руководство пользователя

*Модель B126-1A1-U комплектуется как передающим, так и приемным модулем, а также двумя кабелями с разъемами USB Micro-B. Модель B126-1A0-U комплектуется приемным модулем и одним кабелем с разъемами USB Micro-B.

Опциональные комплектующие

- Соединительные кабели Cat6 серии N202 с одножильными проводами калибра 24 AWG
- Высокоскоростные HDMI-кабели серии P568
- Зарядные кабели UR05C с разъемами USB Micro-B
- Сетевое зарядное устройство U280-002-W12 с двумя USB-портами
- Сетевое зарядное устройство UAC-1B с одним USB-портом

Системные требования

- Компьютер, проигрыватель Blu-ray™ или другой источник с выходным портом HDMI
- Дисплей с портом HDMI

Установка ретранслятора

Примечания:

1. Перед протягиванием кабелей через стены/потолки необходимо проверить правильность функционирования всей установки.
2. Для достижения максимальной дистанции и производительности необходимо использовать кабель Cat5e/6 с одножильными проводами калибра 24 AWG. Использование кабеля Cat5e/6 с многожильными проводами или кабеля с проводами калибра выше 24 AWG приведет к сокращению длины ретрансляции. Все кабели Cat6 серии N202 марки Tripp Lite изготавливаются с использованием одножильных проводов калибра 24 AWG.
3. Перед началом установки все подключаемые устройства должны быть обесточены.



1. Подсоедините вмонтированный HDMI-кабель к источнику HDMI-сигнала.
2. **(Необязательно):** Подключите HDMI-монитор к ЛОКАЛЬНОМУ порту передатчика V126-1A1-U с помощью HDMI-кабеля Tripp Lite серии P568.
3. Подключите передающий блок к USB-порту источника или USB-розетке с помощью кабеля с разъемами USB Micro-B, входящего в комплект.
4. Соедините порт RJ45 передающего модуля с портом RJ45 приемного модуля с помощью кабеля Cat5e/6.

Примечание. Максимальные значения длины ретрансляции и видеоразрешения указаны на схемах установки.

5. Подсоедините вмонтированный HDMI-кабель приемного модуля ко входному порту HDMI-монитора.
6. Подключите приемный блок к USB-порту дисплея или USB-розетке с помощью кабеля с разъемами USB Micro-B, входящего в комплект.

Установка ретранслятора

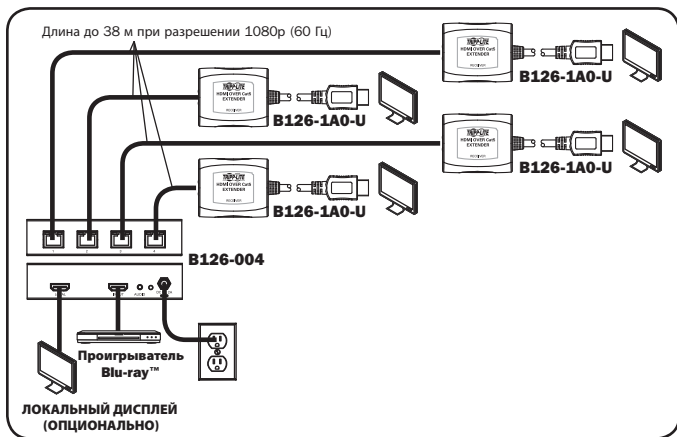
7. Включите питание источника HDMI-сигнала и HDMI-дисплея. Наличие питания передающего и приемного модулей отображается светодиодными индикаторами RJ45 зеленого цвета. Получение сигнала от источника передающим и приемным модулями отображается светодиодными индикаторами RJ45 оранжевого цвета.
8. При необходимости воспользуйтесь эквалайзером приемного модуля для улучшения качества видеоизображения.

Примечание. Неправильная настройка эквалайзера может привести к полному отсутствию изображения на мониторе. Попробуйте добиться правильной настройки каждого из элементов эквалайзера до получения приемлемого качества изображения.

Установка ретранслятора/разветвителя

Примечания:

1. Перед протягиванием кабелей через стены/потолки необходимо проверить правильность функционирования всей установки.
2. Для достижения максимальной дистанции и производительности необходимо использовать кабель Cat5e/6 с одножильными проводами калибра 24 AWG. Использование кабеля Cat5e/6 с многожильными проводами или кабеля с проводами калибра выше 24 AWG приведет к сокращению длины ретрансляции.
3. Перед началом установки все подключаемые устройства должны быть обесточены.
4. На схеме установки изображен локальный передающий модуль B126-004. Схема установки модуля B126-002 выглядит аналогично, за исключением того, что он имеет только 2 удаленных порта и ни одного локального порта.



Установка ретранслятора/разветвителя

1. Подключите источник HDMI-сигнала ко ВХОДНОМУ порту модуля V126-002 или V126-004 с помощью HDMI-кабеля Tripp Lite серии P568.
2. **Для модуля V126-004 (необязательно):** Подключите HDMI-монитор к ЛОКАЛЬНОМУ порту модуля V126-004 с помощью HDMI-кабеля Tripp Lite серии P568.
3. Соедините внешний источник питания с передающим модулем и подключите его к сетевому фильтру, PDU или ИБП Tripp Lite. Питание модуля от внешнего источника отображается светодиодными индикаторами зеленого цвета.
4. Соедините один из выходных портов RJ45 передающего модуля со входным портом устройства V126-1A0-U с помощью кабеля Cat5e/6.
5. Подключите вмонтированный HDMI-кабель устройства V126-1A0-U к монитору.
6. Соедините порт устройства V126-1A0-U с USB-портом дисплея или USB-розеткой при помощи кабеля с разъемами USB Micro-B, входящего в комплект. Питание модуля от порта USB Micro-B отображается светодиодным индикатором зеленого цвета.
7. Повторите шаги 4-7 для каждого дополнительного устройства V126-1A0-U, используемого в установке.
8. Включите питание источника HDMI-сигнала и HDMI-дисплеев. Получение сигнала от источника отображается светодиодными индикаторами RJ45 оранжевого цвета на передающем и приемном модулях. После этого экранное изображение выводится на подключенные мониторы.
9. При необходимости воспользуйтесь эквалайзером устройства V126-1A0-U для корректировки параметров видеоизображения.

Примечание. Неправильная настройка эквалайзера может привести к полному отсутствию изображения на мониторе. Попробуйте добиться правильной настройки каждого из элементов эквалайзера до получения приемлемого качества изображения.

Выявление и устранение неисправностей

Если выполнение указаний по установке не позволяет достичь приемлемого качества изображения, попробуйте воспользоваться приведенными ниже рекомендациями по выявлению и устранению неисправностей.

- 1. Подключен ли поставляемый в комплекте кабель с разъемами USB Micro-B к работающему источнику питания?** Для надлежащего функционирования данного изделия передающий и приемный модули должны подключаться и запитываться через кабель с разъемами USB Micro-B.
- 2. Было ли отключено питание источника HDMI-сигнала перед началом установки?** Если нет, выполните его перезапуск.
- 3. Какого разрешения вы пытаетесь добиться?** Подробнее о максимальных значениях дистанции и разрешения см. в разделах **Функциональные возможности изделия** и **Установка**. Чем меньше длина ретрансляции, тем выше разрешение, которое вы сможете получить. В случае невозможности добиться приемлемого качества изображения попробуйте уменьшить видеоразрешение своего компьютера или отрегулировать частоту обновления.
- 4. Какой тип кабелей вы используете?** Использование ненадлежащих кабелей может привести к ухудшению рабочих характеристик, в связи с чем необходимо использовать кабели, поддерживающие тот уровень видеоразрешения, который вы пытаетесь получить. Для достижения максимально возможных значений дистанции и разрешения необходимо использовать кабель типа UTP с одножильными проводами калибра 24 AWG (например, предлагаемые компанией Tripp Lite кабели серии N202).
- 5. Проверьте используемые кабели на предмет их надлежащего функционирования.** Например, подключите компьютер к сети при помощи кабеля Cat5e/6 с целью проверки того, обеспечивает ли он сетевое соединение.
- 6. Имеются ли какие-либо коммутационные панели или другие устройства между передающим и приемным модулями?** Выпускаемые компанией Tripp Lite ретрансляторы сигнала HDMI по кабелям Cat5 рассчитаны на прямое соединение передающего и приемного модулей через неэкранированный кабель типа "витая пара" (UTP). Чем больше точек соединения между источником и удаленным монитором, тем выше вероятность снижения качества сигнала, вызывающего ухудшение рабочих характеристик. При наличии коммутационной панели или другого устройства между передающим и приемным модулями их необходимо исключить из состава установки.

Выявление и устранение неисправностей

- 7. Имеется ли разветвитель, коммутатор или какое-либо другое устройство между компьютером и передающим модулем или между приемным модулем и дисплеем?** Выпускаемые компанией Tripp Lite ретрансляторы сигнала HDMI по кабелям Cat5 рассчитаны на прямое подключение передающего модуля к компьютеру-источнику и прямое подключение приемного модуля к дисплею. При наличии разветвителя, коммутатора или другого устройства его необходимо исключить из состава установки.
- 8. Проверьте кабели на предмет наличия повреждений, которые могли произойти в процессе установки.** В случае разбалтывания кабельного разъема при протягивании кабеля через стены/потолки или повреждения кабельной оболочки, вызывающего оголение проводов, достижение максимальных рабочих характеристик не представляется возможным.
- 9. Не подвергаются ли передающий и/или приемный модули воздействию повышенных температур в тех местах, где они установлены?** В случае перегрева изделие не может функционировать надлежащим образом.

Гарантийные обязательства

Ограниченная гарантия сроком 1 год

Компания TRIPP LITE гарантирует отсутствие дефектов материалов и изготовления в течение одного (1) года с момента первоначальной покупки. Обязательства компании TRIPP LITE по настоящей гарантии ограничиваются ремонтом или заменой (по ее единственному усмотрению) любых таких дефектных изделий. Для получения услуг по данной гарантии необходимо получить номер Returned Material Authorization (RMA - разрешение на возврат материалов) от компании TRIPP LITE или ее авторизованного сервисного центра. Изделия должны быть возвращены в компанию TRIPP LITE или авторизованный сервисный центр TRIPP LITE с предоплатой транспортных расходов и сопровождаться кратким описанием возникшей проблемы и документом, подтверждающим дату и место его приобретения. Действие настоящей гарантии не распространяется на оборудование, поврежденное в результате аварии, небрежного обращения или неправильного использования, а также видеоизмененное каким бы то ни было образом.

ЗА ИСКЛЮЧЕНИЕМ ПРЕДУСМОТРЕННЫХ ЗДЕСЬ СЛУЧАЕВ КОМПАНИЯ TRIPP LITE НЕ ПРЕДОСТАВЛЯЕТ КАКИХ-ЛИБО ЯВНЫХ ИЛИ ПОДРАЗУМЕВАЕМЫХ ГАРАНТИЙ, ВКЛЮЧАЯ ГАРАНТИИ КОММЕРЧЕСКОЙ ПРИГОДНОСТИ И ПРИГОДНОСТИ ДЛЯ КАКОЙ-ЛИБО КОНКРЕТНОЙ ЦЕЛИ.

В некоторых штатах/государствах ограничение или исключение подразумеваемых гарантий не допускается; следовательно, вышеуказанное(-ые) ограничение(-я) или исключение(-я) могут не распространяться на покупателя.

ЗА ИСКЛЮЧЕНИЕМ ПРЕДУСМОТРЕННЫХ ВЫШЕ СЛУЧАЕВ КОМПАНИЯ TRIPP LITE НИ ПРИ КАКИХ ОБСТОЯТЕЛЬСТВАХ НЕ НЕСЕТ ОТВЕТСТВЕННОСТИ ЗА ПРЯМЫЕ, КОСВЕННЫЕ, СЛУЧАЙНЫЕ ИЛИ ПОБОЧНЫЕ УБЫТКИ ЛИБО УБЫТКИ, ОПРЕДЕЛЯЕМЫЕ ОСОБЫМИ ОБСТОЯТЕЛЬСТВАМИ, ВОЗНИКАЮЩИЕ В СВЯЗИ С ИСПОЛЬЗОВАНИЕМ ДАННОГО ИЗДЕЛИЯ, ДАЖЕ В СЛУЧАЕ ЕЕ ИНФОРМИРОВАНИЯ О ВОЗМОЖНОСТИ НАСТУПЛЕНИЯ ТАКИХ УБЫТКОВ. В частности, компания TRIPP LITE не несет ответственности за какие-либо издержки, такие как упущенные прибыли или доходы, потеря оборудования, потеря возможности использования оборудования, потеря программного обеспечения, потеря данных, расходы на заменители, урегулирование претензий третьих лиц и пр.

Информация по выполнению требований Директивы WEEE для покупателей и переработчиков продукции компании Tripp Lite (являющихся резидентами Европейского союза)



Согласно положениям Директивы об утилизации отходов электрического и электронного оборудования (WEEE) и исполнительных распоряжений по ее применению, при покупке потребителями нового электрического или электронного оборудования производства компании Tripp Lite они получают право на:

- Продажу старого оборудования по принципу "один за один" и/или на эквивалентной основе (в зависимости от конкретной страны)
- Отправку нового оборудования на переработку после окончательной выработки его ресурса

Не рекомендуется использование данного оборудования в системах жизнеобеспечения, где его выход из строя предположительно может привести к перебоям в работе оборудования жизнеобеспечения или в значительной мере снизить его безопасность или эффективность.

Компания Tripp Lite постоянно совершенствует свою продукцию. В связи с этим возможно изменение технических характеристик без предварительного уведомления.



1111 W. 35th Street, Chicago, IL 60609 USA • www.tripplite.com/support