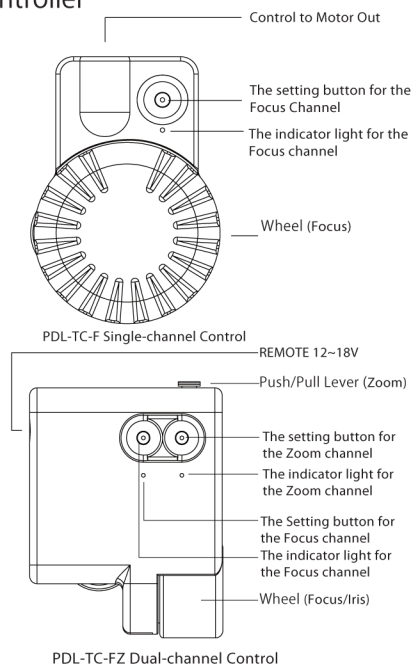
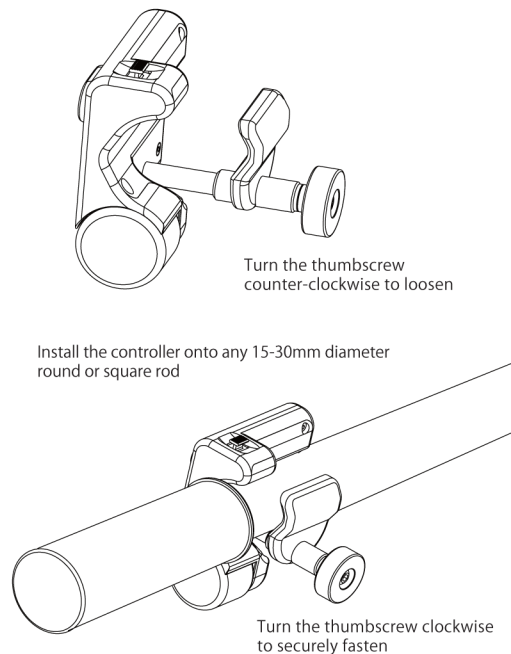


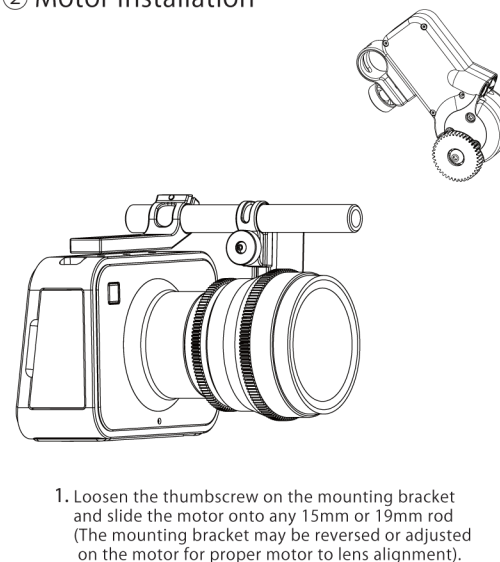
Controller



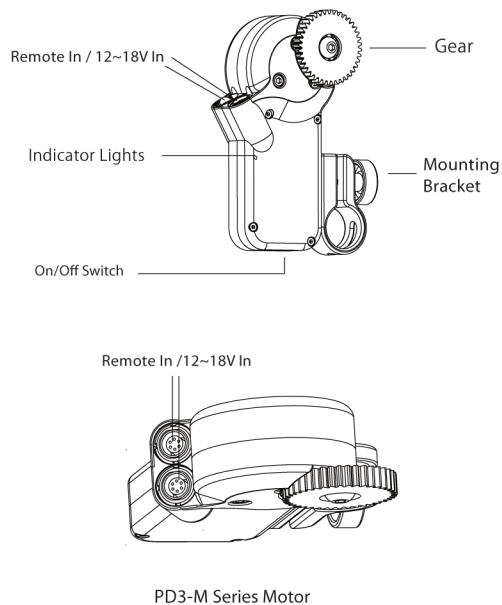
① Handle Installation



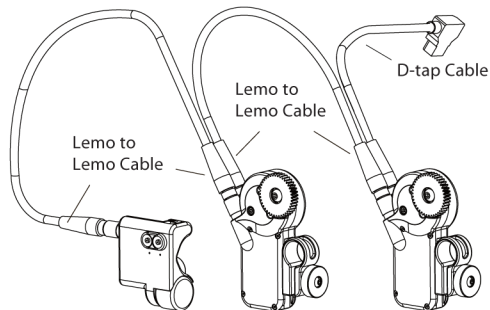
② Motor Installation



Motor



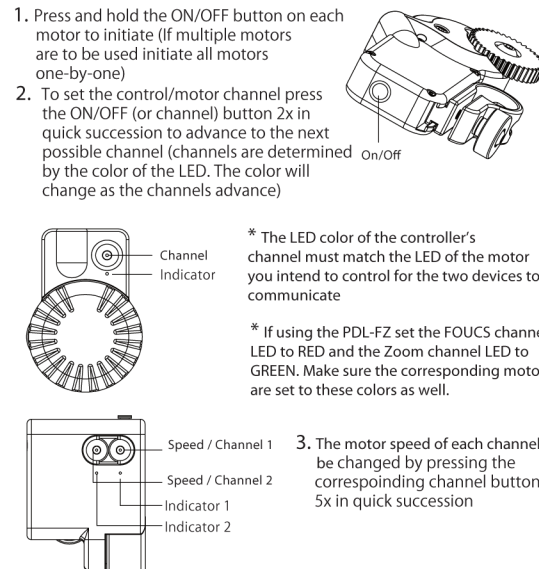
③ Connecting the Controller and Motor



Connections :

1. Connect the output jack of the controller to one of the input jacks of the PD3-M motor using the supplied Lemo to Lemo cable (if connecting the PD-TC-FZ controller to the two motors connect as above using the free jack of the first PD3-M as the output to connect to one of the open jacks of the second PD3-M motor. This will leave only one free jack on the second motor and none free on the first).
2. Connect the Lemo connector of the D-Tap cable to the remaining available motor jack and then to an appropriate D-TAP power source

④ Startup and Changing Channels



⑤ Mapping the Control to the Lens

To map the controller to the lens press and hold the desired channel button for two seconds then release. The Motor will spin in one direction, then the other, and after reaching the two extremes of the lens will return to a central point. You can now use the associated knob/lever to control the position of the lens