

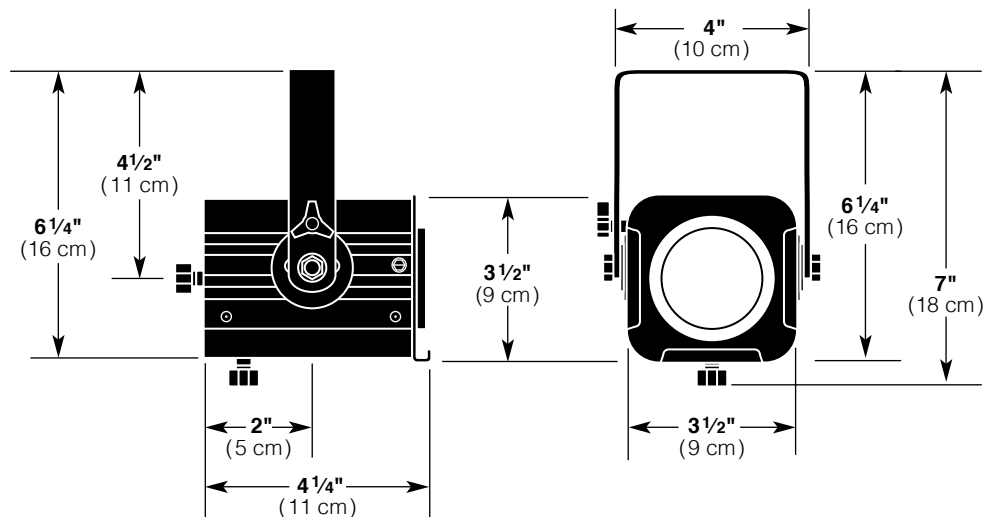

Fixture Type:

The Micro Par is an attractive lightweight luminaire designed to produce narrow to wide beam spreads up to 15' away. The luminaire utilizes the designer PAR16 and PAR20 family of PAR lamps which are ideal for lighting merchandise, art, and nightclubs. The narrow to wide beam spreads are a function of the lamp selected.

Specifications subject to change without notice

50 WATT MICRO PAR Par 16 / Par 20 Features

- Attractive extruded aluminum housing
- Use of transformer not required
- Wide selection of lamps
- Adaptable to most track systems
- Color frame and safety cable with spring clip included
- U.L., c.U.L. and CE listed for 50 watts
- Made in the USA



Specifications

Housing: Ribbed aluminum extrusion and die-cast aluminum construction.

Materials: Construction employs all corrosion-resistant materials and hardware.

Yoke: 1" x 1/8" aluminum yoke with 1/2" dia. hole.

Socket: Medium screw base. Tool free relamping.

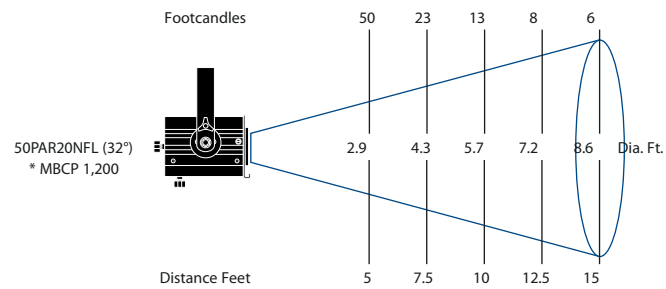
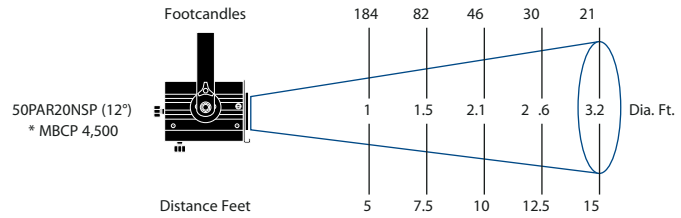
Rating: 120/240 volts AC/DC operation, .417/.209 amps, 50 watts maximum.

Cable: 6' total length with molded male edison plug (unless track adapter specified).

Accessories: Accepts standard 3 1/4" accessories.

Finish: Black epoxy sandtex, electrostatic application.

Weight: Approx; 14 oz. (.39 kg.)



* MBCP Maximum Beam Candle Power

ACCESSORIES Supplied with Luminaire	
MCF	Color Frame
MAC-SC	Safety Cable 18"

ADDITIONAL ACCESSORIES	
510-F	Pipe Clamp
MBD	4-way Barn Doors
TLA-J	Juno Track Adapter Installed
TLA-H	Halo Track Adapter Factory Installed
TLA-L	Lightolier Track Adapter Factory Installed
TLA-E166	Nordic Eco 1 Circuit, Factory Installed
TLA-TEK67	Nordic Spec Grade 2 Circuit, Factory Installed
TLA-XTSA66	Nordic Spec Grade 3 Circuit, Factory Installed
MICRO-SN	Snoot

LAMP DATA

Lamp Type	Watts	Rated Life (Hours)	Spread (Degrees)	Beam
50PAR20NSP	50	2,000	12°	Narrow Spot
50PAR20NFL	50	2,000	32°	Narrow Flood
50PAR16NSP	50	2,000	18°	Narrow Spot
50PAR16NFL	50	2,000	40°	Narrow Flood