

Installation/Operating Instructions

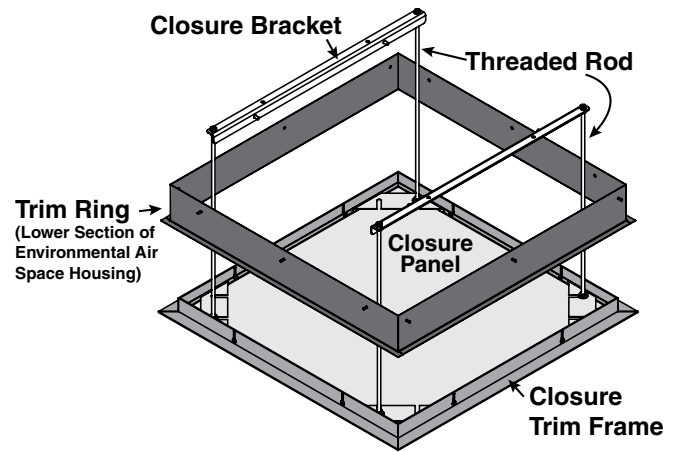
Ceiling Trim Kit for Scissor Lift SL by Draper

Installing Optional Ceiling Trim Kit "B"

The lower section of the Environmental Air Space Housing is available as part of a ceiling trim kit, to finish out the ceiling opening even if a housing is not necessary. This kit consists of the lower section of the housing and the ceiling closure panel. Please refer to drawing below for these instructions.

- ① Install Scissor Lift SL (as described in Scissor Lift SL instructions).
- ② Install bottom section of Environmental Air Space Housing in opening. This can be accomplished by suspending with wire, or by mounting directly to the ceiling joists (if space permits).
- ③ Install ceiling closure panel (see separate instructions).

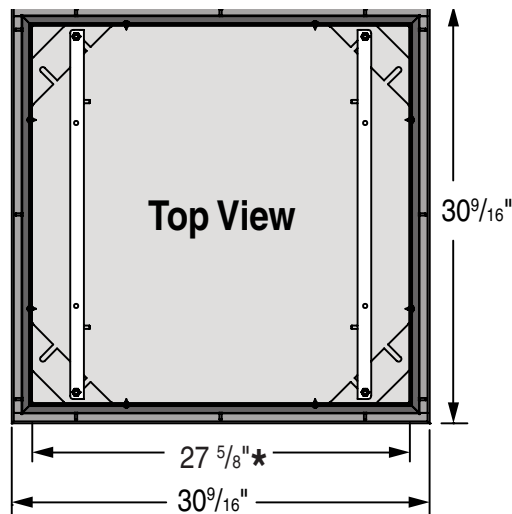
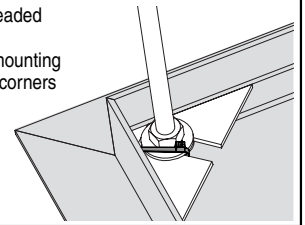
Lipless Closure Option is available by removing the Trim Ring from the Closure Panel. A substrate material (ceiling tile, gypsum board, etc.) can be attached directly to the Closure Panel using adhesive, double-sided tape or screws. **NOTE: Make sure the added weight of the substrate does not exceed the stated weight capacity of the lift.** Substrate should be installed so that it is centered within the finished opening in the ceiling, with a gap of no less than $\frac{3}{16}$ " around all edges. Lipless Closure dimensions shown with * in drawing below.



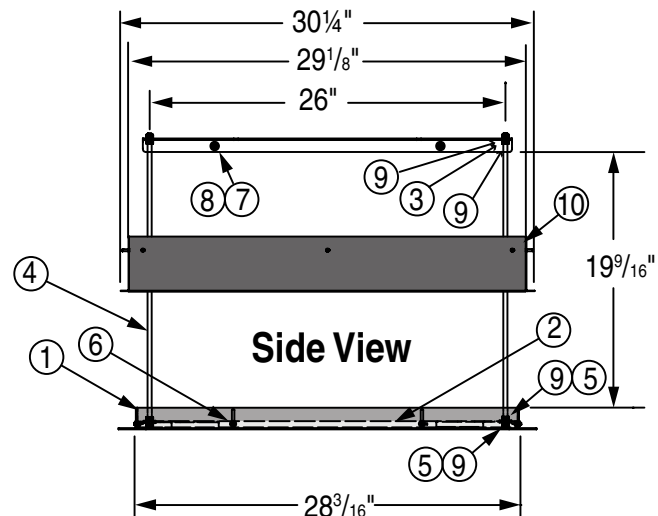
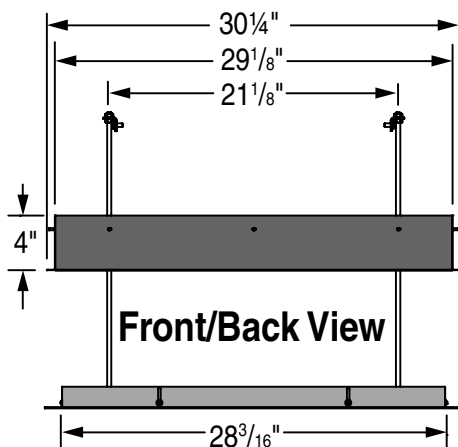
For Additional Safety:

- ① Be sure the nuts that attach the threaded rods to the closure panel are tight.
- ② Wrap a plastic wire tie around the mounting tab and the threaded rod at all four corners of the closure panel (Fig 9).

Please Note: Do NOT use a paper-covered or similar wire tie—use only plastic wire ties for maximum safety.



*Lipless Closure Dimensions



Item	Qty	Part Number	Description
①	1	C028.616.07SA	Frame, B Closure Trim
②	1	C044.194.07SA	Panel, Assembled B Closure
③	2	C002.924.07SA	Bracket, B Closure Attach
④	4	C077.037.49	Rod, Threaded $\frac{3}{8}$ "-16 x $2\frac{1}{8}$ " L Zinc
⑤	8	C013.050	Washer .375" I.D. x .875" O.D. x .064" TK GRD 2 Zinc Flat
⑥	8	C020.082	Screw, 10-16 X $1\frac{1}{2}$ " 6 Lobe Truss Head AB E-White
⑦	4	C013.033	Washer, $\frac{1}{4}$ " Flat
⑧	4	C020.152	Screw .25"-20 X .625" HEX HD GRD2 Zinc Cap Part1
⑨	16	C018.027	Nut $\frac{3}{8}$ "-16 Hex Zinc
⑩	1	C028.610.07SA	Frame, B Trim Ring

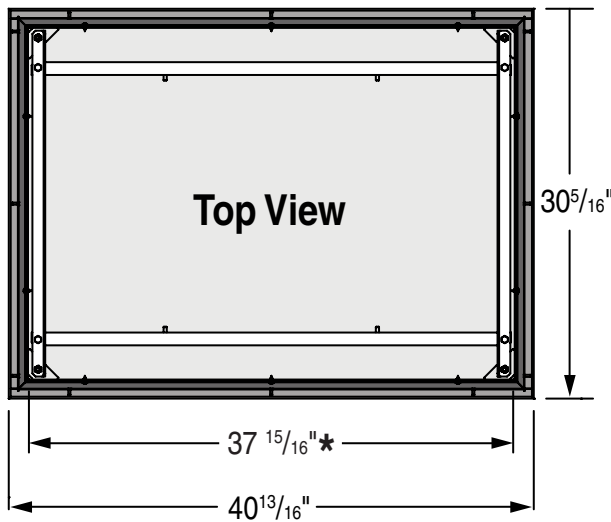
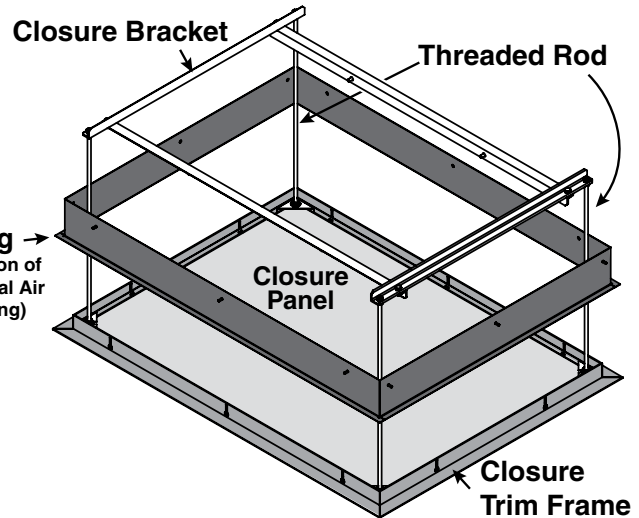
DRAPER

Installing Optional Ceiling Trim Kit "E"

The lower section of the Environmental Air Space Housing is available as part of a ceiling trim kit, to finish out the ceiling opening even if a housing is not necessary. This kit consists of the lower section of the housing and the ceiling closure panel. Please refer to drawing below for these instructions.

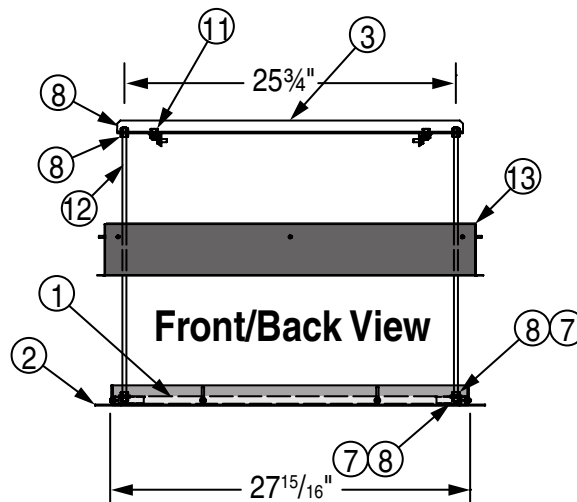
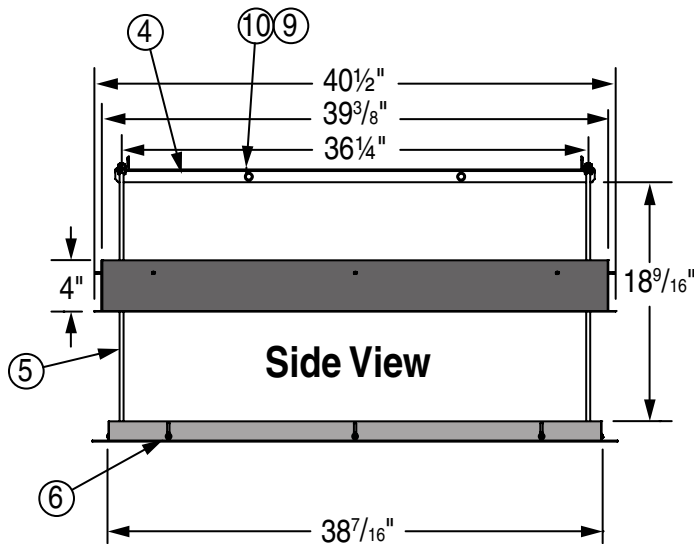
- ① Install Scissor Lift SL (as described in Scissor Lift SL instructions).
- ② Install bottom section of Environmental Air Space Housing in opening. This can be accomplished by suspending with wire, or by mounting directly to the ceiling joists (if space permits).
- ③ Install ceiling closure panel (see separate instructions).

Lipless Closure Option is available by removing the Trim Ring from the Closure Panel. A substrate material (ceiling tile, gypsum board, etc.) can be attached directly to the Closure Panel using adhesive, double-sided tape or screws. **NOTE: Make sure the added weight of the substrate does not exceed the stated weight capacity of the lift.** Substrate should be installed so that it is centered within the finished opening in the ceiling, with a gap of no less than $\frac{3}{16}$ " around all edges. Lipless Closure dimensions shown with * in drawing below.



*Lipless Closure Dimensions

Item	Qty	Part Number	Description
①	1	C044.199.07SA	Panel, E Assembled Closure
②	1	C028.619.07SA	Frame, E Trim
③	2	C002.920.07SA	Bracket, E Front/Back Angle
④	2	C002.921.07SA	Bracket, E End Angle
⑤	4	C077.037.49	Rod, Threaded $\frac{3}{8}$ "-16 x $21\frac{3}{8}$ " L Zinc
⑥	10	C020.082	Screw, 10-16 X $\frac{1}{2}$ " 6 Lobe Truss Head AB E-White
⑦	8	C013.050	Washer .375" I.D. x .875" O.D. x .064" TK GRD 2 Zinc Flat
⑧	16	C018.027	Nut $\frac{3}{8}$ "-16 Hex Zinc
⑨	4	C020.152	Screw .25"-20 X .625" Hex HD GRD2 Zinc Cap Part1
⑩	4	C013.033	Washer, $\frac{1}{4}$ " Flat
⑪	4	C020.321	Screw $\frac{5}{16}$ "-18 X $\frac{5}{8}$ " Hex HD Cap GR5 Zinc
⑫	4	C018.045	Nut $\frac{5}{16}$ "-18 Zinc Hex Keys
⑬	1	C028.612.07SA	Frame, E Trim Ring

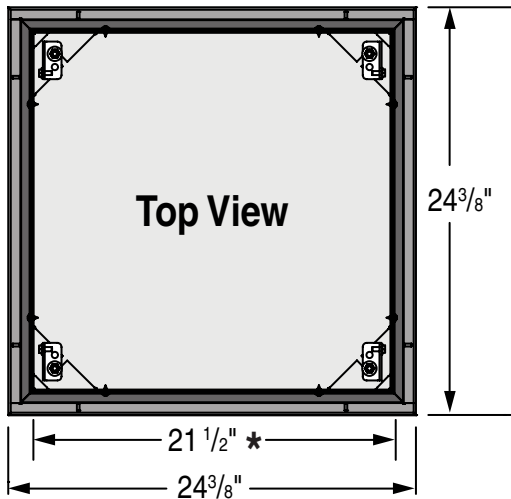
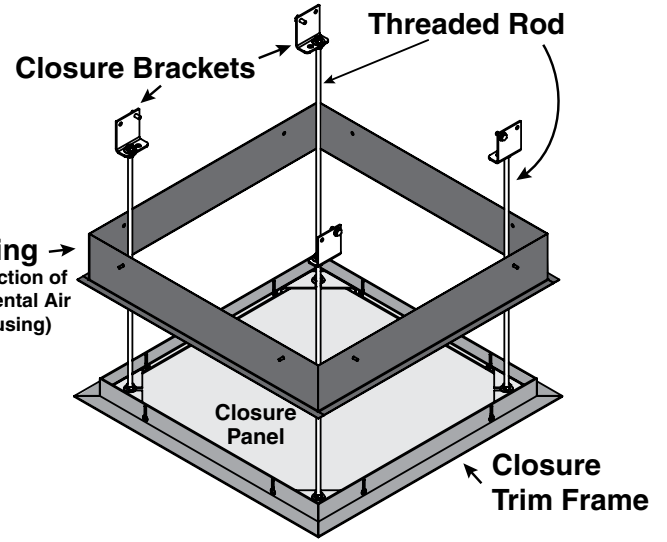


Installing Optional Ceiling Trim Kit "SL"

The lower section of the Environmental Air Space Housing is available as part of a ceiling trim kit, to finish out the ceiling opening even if a housing is not necessary. This kit consists of the lower section of the housing and the ceiling closure panel. Please refer to drawing below for these instructions.

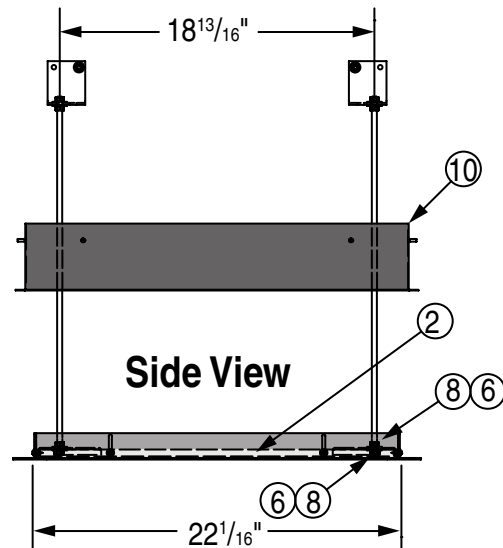
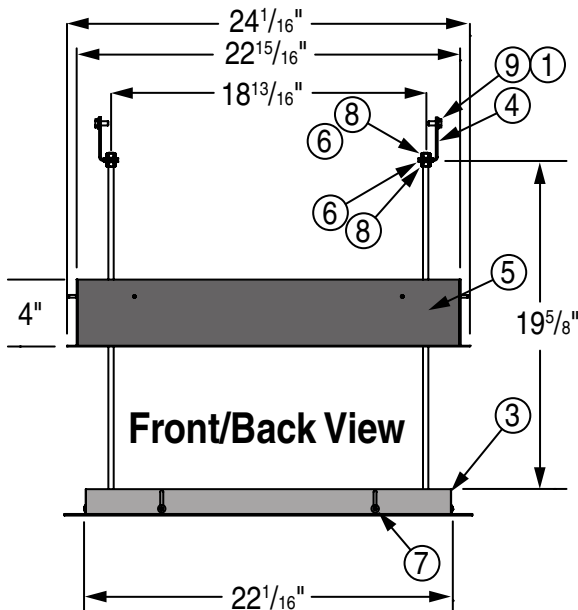
- ① Install Scissor Lift SL (as described in Scissor Lift SL instructions).
- ② Install bottom section of Environmental Air Space Housing in opening. This can be accomplished by suspending with wire, or by mounting directly to the ceiling joists (if space permits).
- ③ Install ceiling closure panel (see separate instructions).

Lipless Closure Option is available by removing the Trim Ring from the Closure Panel. A substrate material (ceiling tile, gypsum board, etc.) can be attached directly to the Closure Panel using adhesive, double-sided tape or screws. **NOTE: Make sure the added weight of the substrate does not exceed the stated weight capacity of the lift.** Substrate should be installed so that it is centered within the finished opening in the ceiling, with a gap of no less than $\frac{3}{16}$ " around all edges. Lipless Closure dimensions shown with * in drawing below.



*Lipless Closure Dimensions

Item	Qty	Part Number	Description
①	4	C013.033	Washer, 1/4" Flat
②	1	C044.184.07SA	Panel, SL Closure
③	1	C028.573.07SA	Frame, SL Closure Trim
④	4	C002.889.07SA	Bracket, SL Closure Mounting
⑤	4	C077.052	Rod, Threaded 5/16"-18 x 16" L Zinc
⑥	16	C013.050	Washer .375" I.D. x .875" O.D. x .064" TK GRD 2 Zinc Flat
⑦	8	C020.082	Screw, 10-16 X 1/2" 6 Lobe Truss Head AB E-White
⑧	16	C018.028	Nut 5/16"-18 Hex Zinc
⑨	4	C020.152	Screw .25"-20 X .625" Hex HD GRD2 Zinc Cap Part1
⑩	1	C028.608.07SA	Frame, SL Trim Ring

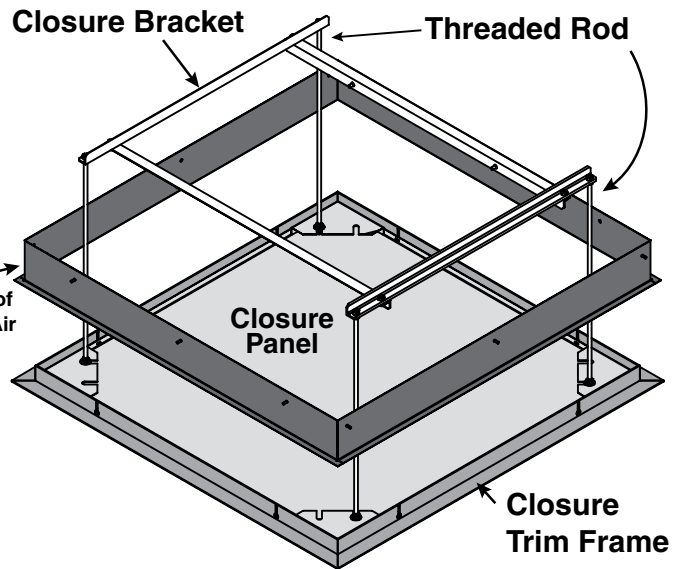


Installing Optional Ceiling Trim Kit "U"

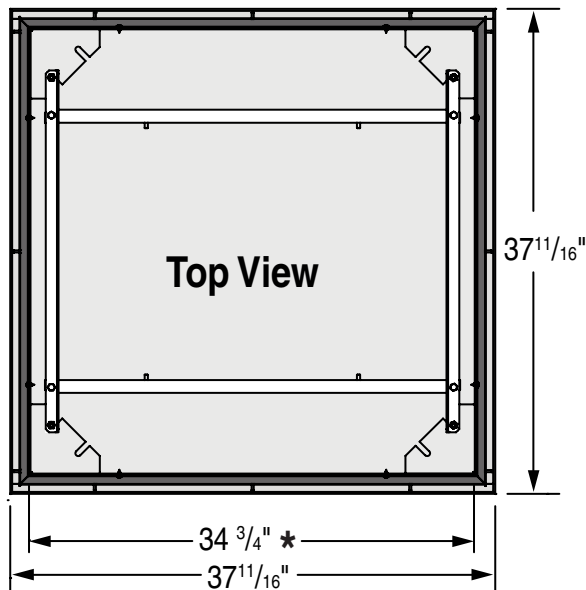
The lower section of the Environmental Air Space Housing is available as part of a ceiling trim kit, to finish out the ceiling opening even if a housing is not necessary. This kit consists of the lower section of the housing and the ceiling closure panel. Please refer to drawing below for these instructions.

- ① Install Scissor Lift SL (as described in Scissor Lift SL instructions).
- ② Install bottom section of Environmental Air Space Housing in opening. This can be accomplished by suspending with wire, or by mounting directly to the ceiling joists (if space permits).
- ③ Install ceiling closure panel (see separate instructions).

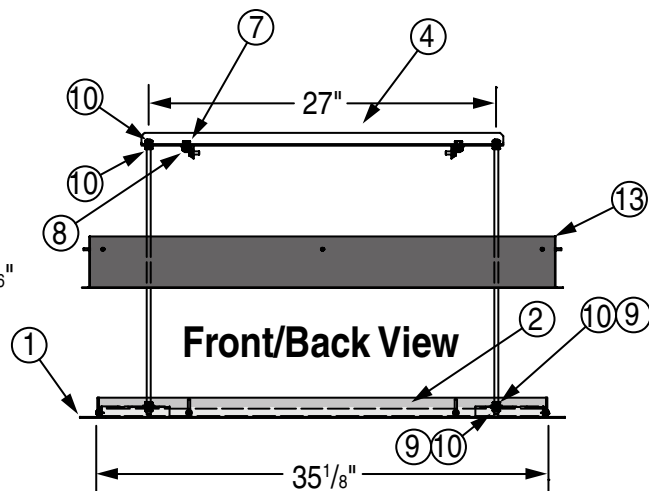
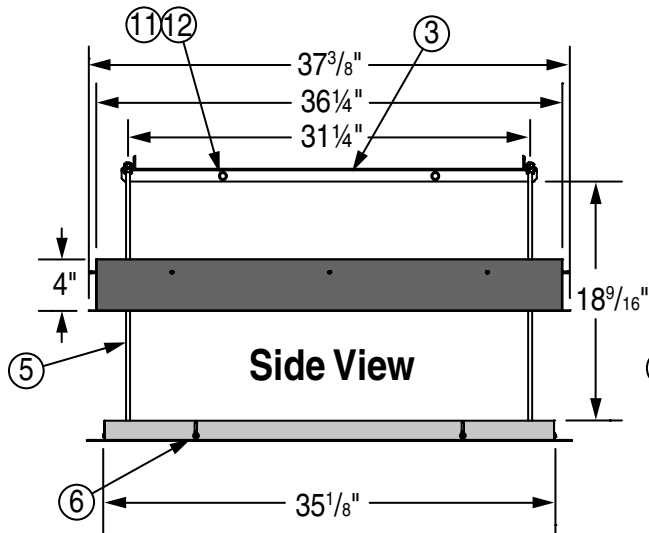
Trim Ring
(Lower Section of Environmental Air Space Housing)



Lipless Closure Option is available by removing the Trim Ring from the Closure Panel. A substrate material (ceiling tile, gypsum board, etc.) can be attached directly to the Closure Panel using adhesive, double-sided tape or screws. **NOTE: Make sure the added weight of the substrate does not exceed the stated weight capacity of the lift.** Substrate should be installed so that it is centered within the finished opening in the ceiling, with a gap of no less than $\frac{3}{16}$ " around all edges. Lipless Closure dimensions shown with * in drawing below.



*Lipless Closure Dimensions



Item	Qty	Part Number	Description
①	1	C028.615.07SA	Frame, U Closure Trim
②	1	C044.204.07SA	Panel, U Closure
③	2	C002.923.07SA	Bracket, U End Angle
④	2	C002.922.07SA	Bracket, U Front/Back Angle
⑤	4	C077.037.49	Rod, Threaded $\frac{3}{8}$ "-16 x 21 $\frac{3}{8}$ " L Zinc
⑥	8	C020.082	Screw, 10-16 X $\frac{1}{2}$ " 6 Lobe Truss Head AB E-White
⑦	4	C020.321	Screw $\frac{5}{16}$ "-18 X $\frac{5}{8}$ " Hex HD Cap GR5 Zinc
⑧	4	C018.045	Nut $\frac{5}{16}$ "-18 Zinc Hex Keps
⑨	8	C013.050	Washer .375" I.D. x .875" O.D. x .064" TK GRD 2 Zinc Flat
⑩	16	C018.027	Nut $\frac{3}{8}$ "-16 Hex Zinc
⑪	4	C020.152	Screw .25"-20 X .625" Hex HD GRD2 Zinc Cap Part1
⑫	4	C013.033	Washer, $\frac{1}{4}$ " Flat
⑬	1	C028.614.07SA	Frame, U Trim Ring