

BrightEye 83-H

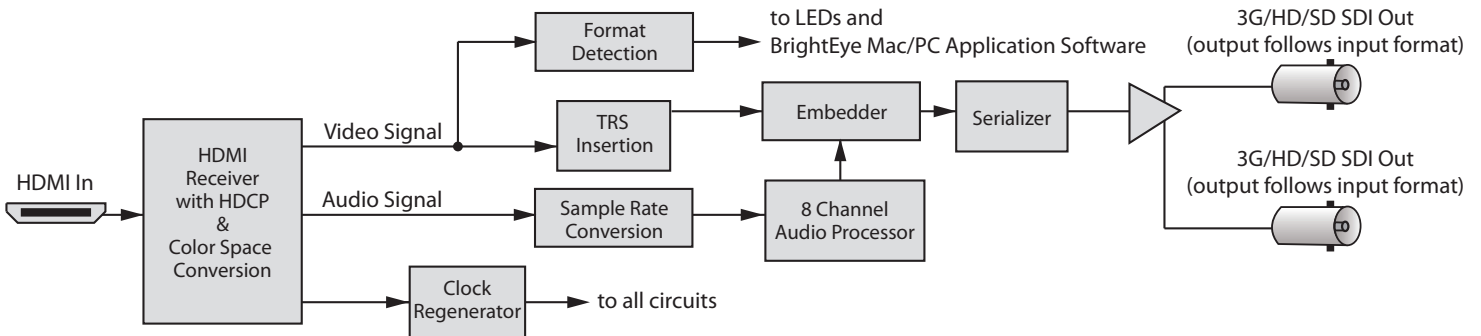
HDMI to 3G/HD/SD SDI Converter with HDCP

Convert HDMI to 3G/HD/SD SDI with the BrightEye 83-H. The output format follows the input, faithfully preserving the input's resolution and frame rate. Perfect for GoPro, Replay and other video cameras and sources with an HDMI output, BrightEye 83-H presents the serial digital video signal on two BNC outputs.

Signal monitoring and control is provided through the included BrightEye Mac and BrightEye PC software.

Features

- **Guaranteed to work perfectly with your GoPro camera**
- **HDMI to SDI (3G/HD/SD formats supported)**
- **Use with Cameras and Other Sources that have an HDMI Output**
- **Passes Embedded Audio**
- **Supports HDCP Encrypted Content**



Input

Number	One, supports HDCP encrypted content
Type	HDMI 1.3
Format	Supports HDMI signals which map to the video standards listed below

SDI Standards Supported

- 1080i (SMPTE 274M -4,5,6) 50, 59.94 or 60 Hz
- 720p (SMPTE 296M -1,2,3) 50, 59.94 or 60 Hz
- 1080p (SMPTE 274M -9,10,11) 23.98, 24, 25 Hz
- 1080sF (RP211 -14,15,16) 23.98, 24, 25 Hz
- 1080p (SMPTE 424M, 425M), 50, 59.94, 60, Level A
- 525i, 625i (SMPTE 259M)

Serial Digital Output

Number	Two, BNC
Signal Type	Follows input
Impedance	75 Ω
Return Loss	>15 dB to 1.485 GHz >10 dB to 2.97 GHz
Output DC	None (AC coupled)

General Specifications

Size	5.63" W x 0.8" H x 5.98" D (143 mm x 21 mm x 152 mm) including connectors and flange
Power	12 volts, 5 watts (100-230 VAC modular power supply)
Temperature Range	0 to 40° C ambient (all specs met)
Relative Humidity	0 to 95° non-condensing
Altitude	0 to 10,000 ft.

