

OS80T product information sheet



The OS80T is a low-profile, easy-to-use medium tilt mount.

Product Benefits*

- Low 2.1" (5.4 cm) mounting profile
- Tilt up to 10° to reduce glare
- Equipped with patented gravity tilt, providing perfect tension no matter where you place your TV
- Lift n' Lock™ enables easy 3-step installation
- Offers adequate spacing between TV and wall for cooling and cable management
- Sliding lateral on-wall adjustment
- Endcaps present a clean sideview
- Safety latches prevent TV from sliding off mount
- Single wall plate allows for quick and simple installation
- Durable powder coat finish
- Includes complete hardware kit

Product Specifications*

Fits most: 37–55" TVs
Supports up to: 80 lbs (36.3 kg)
Tilt: Up to 10°
Mounting profile: 2.1" (5.4 cm)
VESA compliance: 100x100 to 400x400
Mounting: Double-stud or solid wall
UL listed: Yes
Warranty: 5 years
Color: Black



Series



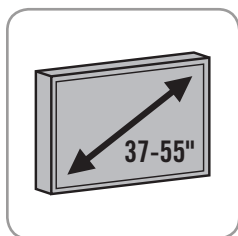
OS60FM



OS80T



OS80F



Take the guess work out of choosing your perfect mount! The OS80T is compatible with most TVs up to 37–55" on the market today.

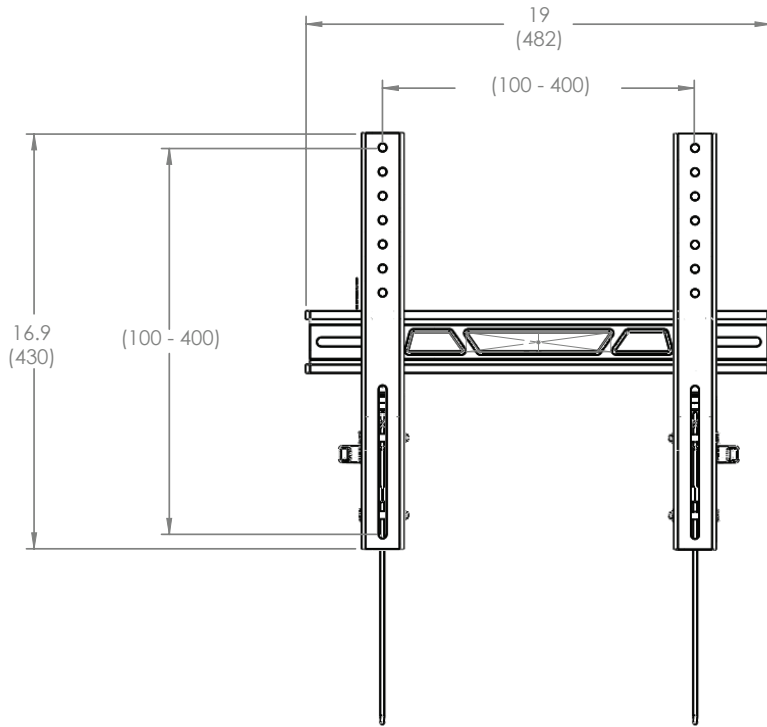
*Subject to change

800.MOUNT.IT (800.668.6848)

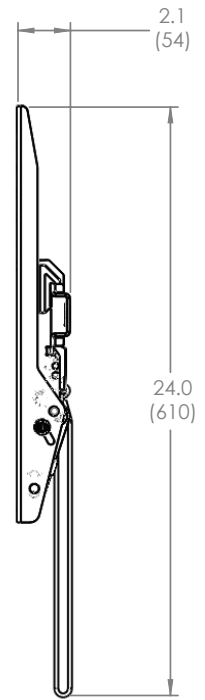


04262013

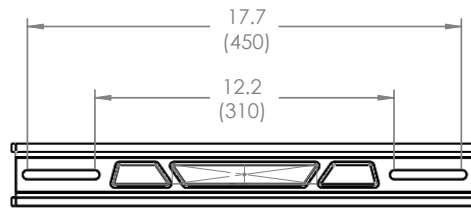
OS80T technical data sheet



FRONT VIEW AND VESA COMPATABILITY



MOUNTING PROFILE



WALL MOUNTING

inches (mm)



| | Packaging UPC | MC UPC |
|---------------|---------------|----------------|
| Americas | 698833028034 | 10698833028031 |
| International | 698833028034 | 10698833028031 |

| | Dimensions WxDxH Inches (mm) | Wt lbs (kg) | Qty |
|-----|-------------------------------|-------------|-----|
| Box | 21.9 x 9.3 x 2.3 (556x235x58) | 8.0 (3.6) | NA |
| MC | 23.1 x 5 x 9.7 (586x127x245) | 18.9 (8.6) | 2 |

| Box Contents | Qty |
|-------------------|-----|
| Wall plate | 1 |
| Vertical rail | 2 |
| Tilt tension knob | 2 |

| Box Contents | Qty |
|-----------------------|-----|
| Locking mechanism | 2 |
| Complete hardware kit | 1 |
| Instruction Manual | 1 |

