

# PYLE®

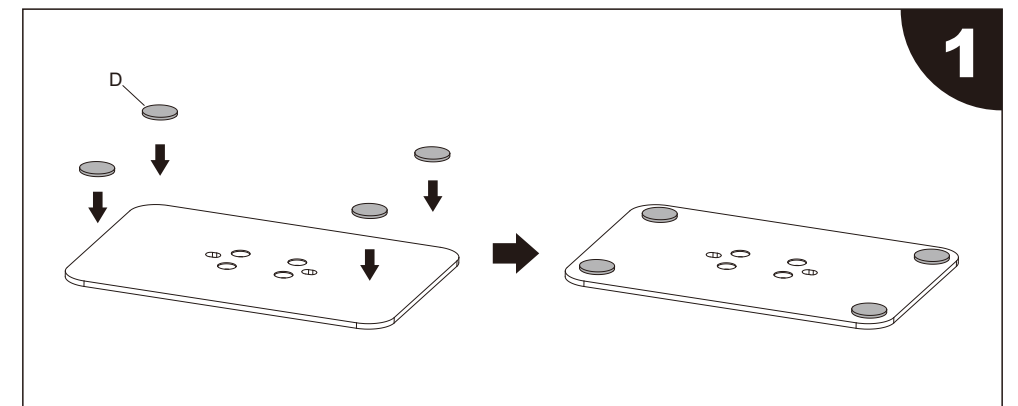
PyleUSA.com

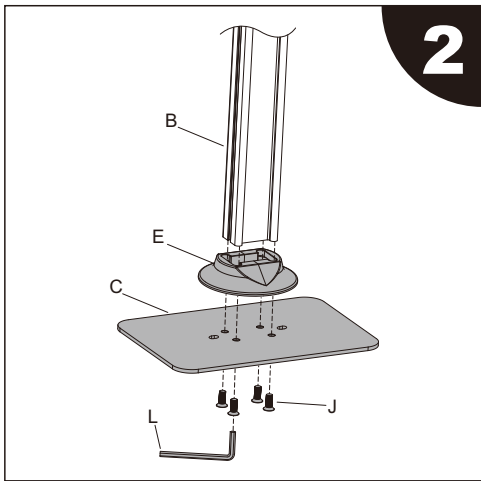
## PSPADLKPRO57

### Installation Instruction



ITEM	DESCRIPTION/PART NO.	QUANTITY	ITEM	DESCRIPTION/PART NO.	QUANTITY
A	anti-theft box	1	E	decorative cover	1
B	pole	1	F	ST6.3x55	2
C	base	1	G	concrete anchor	2
D	rubber pad	4	H	key	2
			I	M5x6	4
			J	M8x20	4
			K	4mm Allen key	1
			L	5mm Allen key	1
			M	button	1

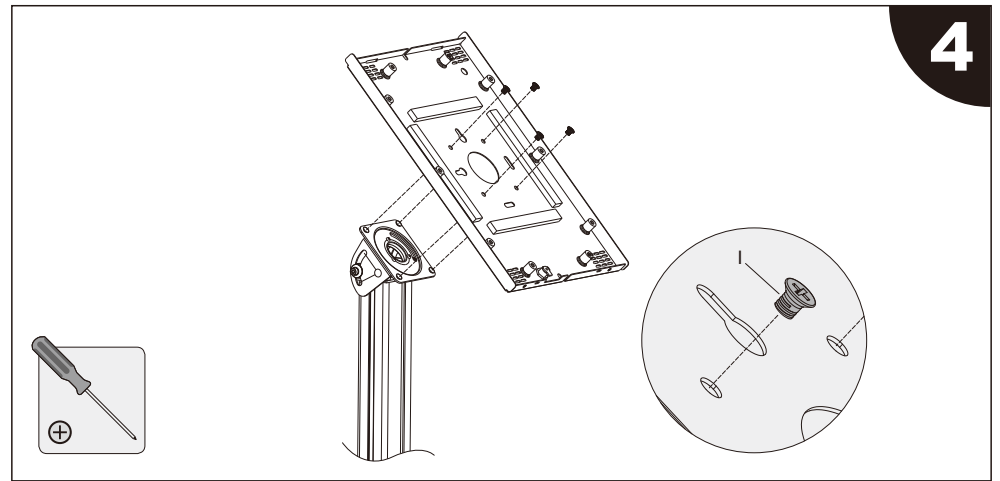




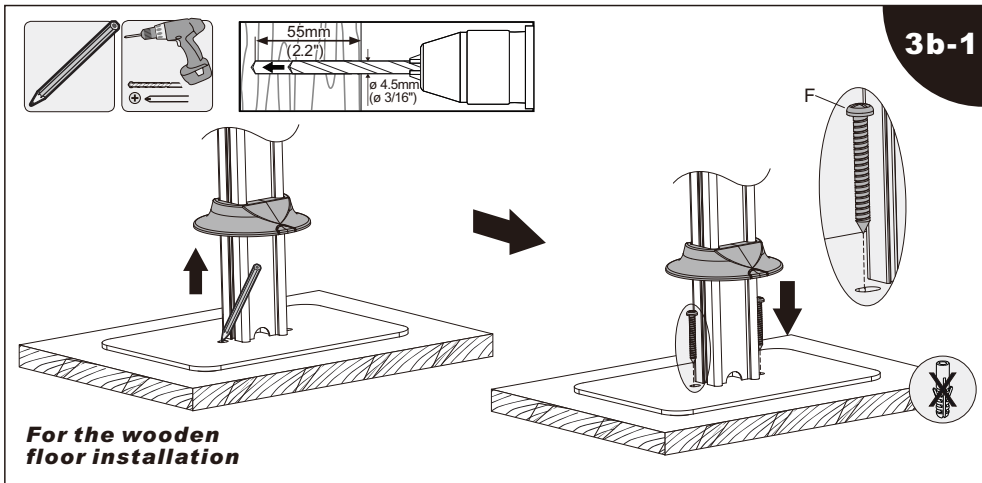
2



3a

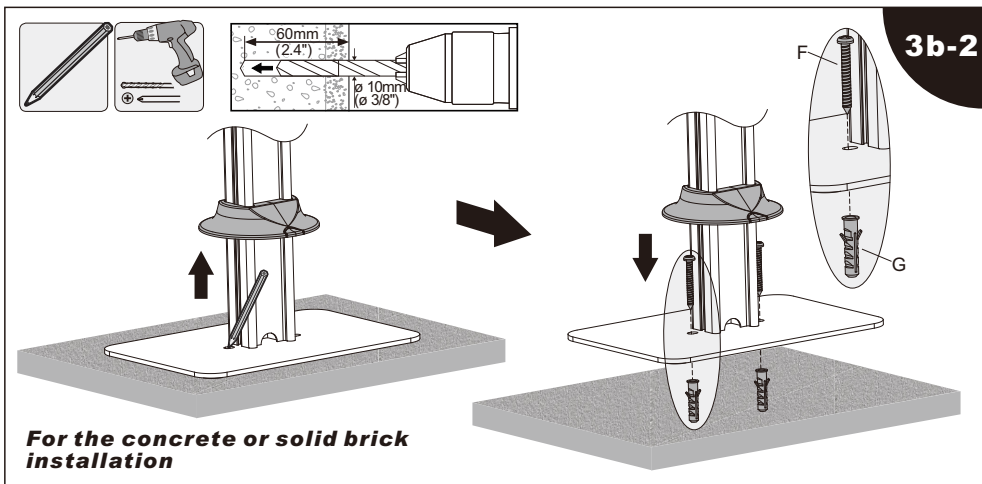


4



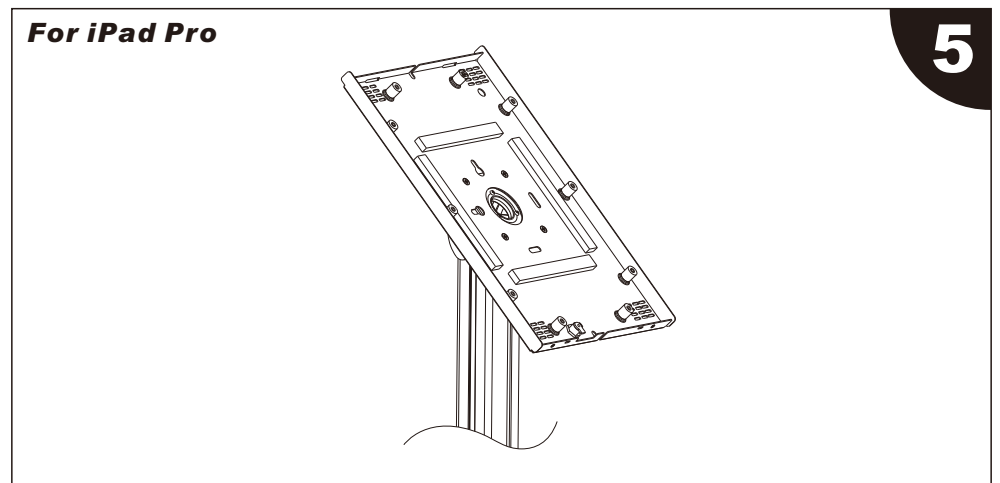
3b-1

**For the wooden floor installation**

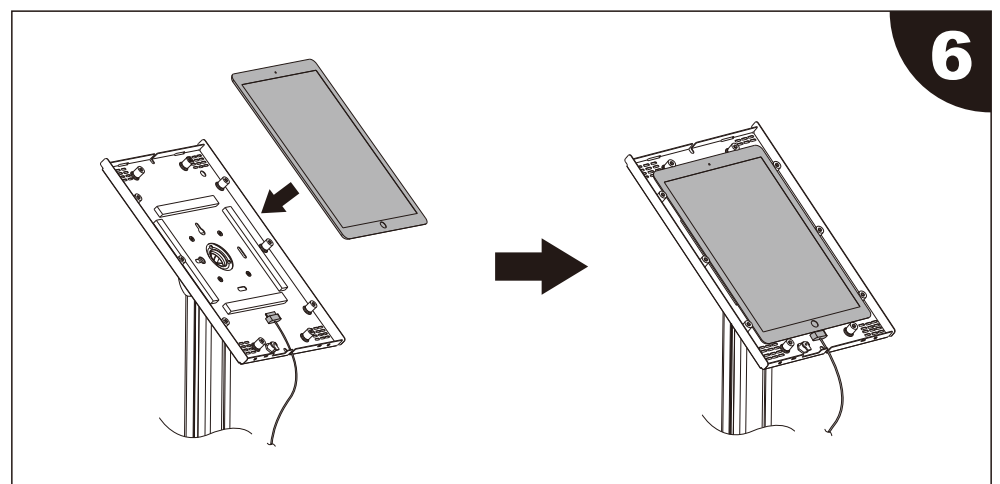


3b-2

**For the concrete or solid brick installation**



5



6