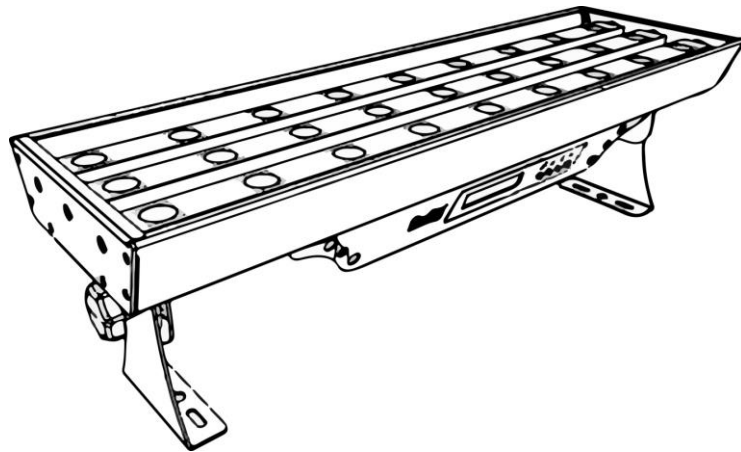




DarkFX Wash 2000

User Manual



English

DarkFX

Wash 2000

User Manual · English

Safety Information



Please read the following safety information carefully before operating the fixture. Information includes important safety information about installation, usage, and maintenance. Pay attention to all warning labels and instructions in this manual and printed on the fixture.



CAUTION

HIGH INTENSITY 365nm ULTRAVIOLET LIGHT
RISK OF EXPOSURE TO ULTRAVIOLET RADIATION
AVOID DIRECT EYE AND SKIN EXPOSURE
DO NOT OPERATE FIXTURE WITHOUT EXTERNAL COVER AND
PROTECTIVE LENS INSTALLED.
DO NOT OPERATE FIXTURE WITH DAMAGED EXTERNAL COVER AND/OR
PROTECTIVE LENS.

If you have questions about how to operate the fixture safely, please contact your local Antari dealer for help.

- Keep this device dry. For indoor use only.
- Never look directly into the light source.
- Always connect to a grounded circuit to avoid risk of electrocution.
- Install only in well ventilated area.
- Do not connect device to dimmer pack.
- Make sure power cord is never crimped or damaged.
- Do not attempt to remove or break off the ground prong. The ground prong is provided for your safety.
- Before connecting fixture to power, always check voltage indicate on fixture match to your local AC voltage. Do not use the fixture if AC power voltage does not match.
- Disconnect the fixture from AC power before servicing and when not in use.

- No user serviceable and modifiable parts inside. Never try to repair this product, unauthorized repair may lead to fixture damage and or malfunction.
- Protect power cord from being walked on or pinched particularly at plugs.
- Make sure there are no flammable materials close to the machine while operating.
- If the fixture fails to work, unplug the fixture and stop operation immediately. Contact your local Antari dealer for advise.

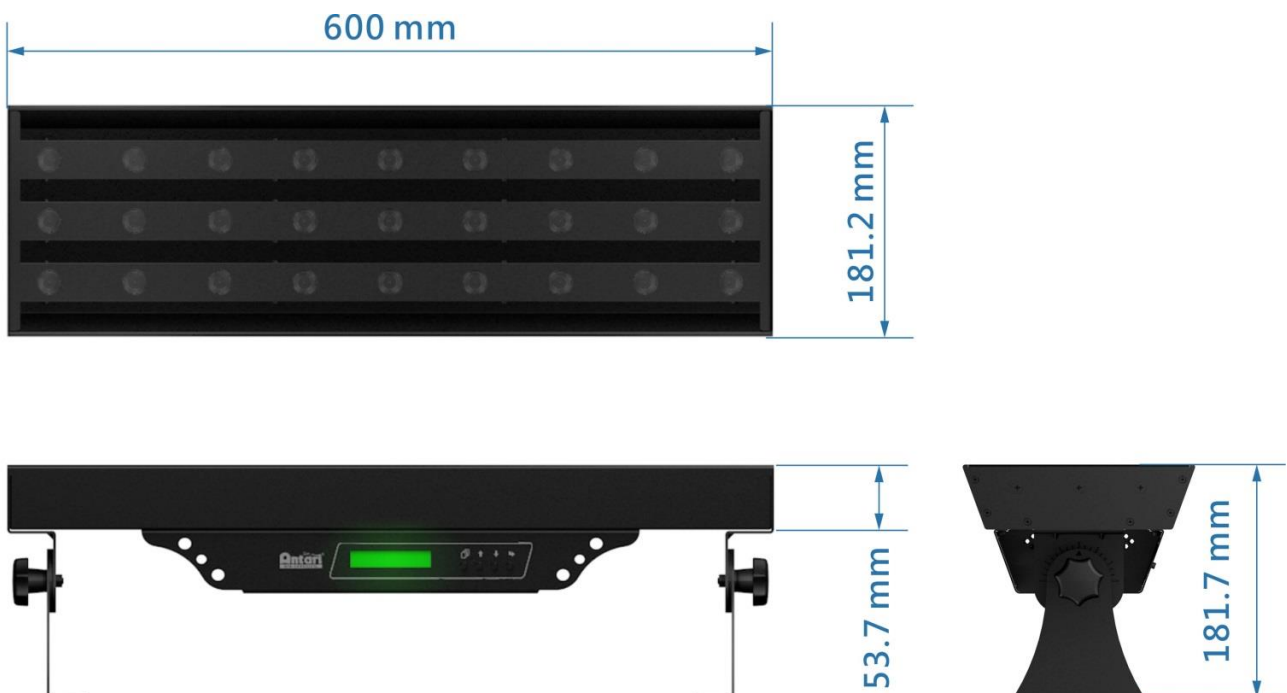
Unpacking and Inspection

Immediately upon receiving the fixture, carefully unpack the carton, check all content to ensure that all parts are present and have been received in good condition. If any parts appear damaged or mishandled from shipping, notify the shipper immediately and retrain the packing material for inspection.

What is included:

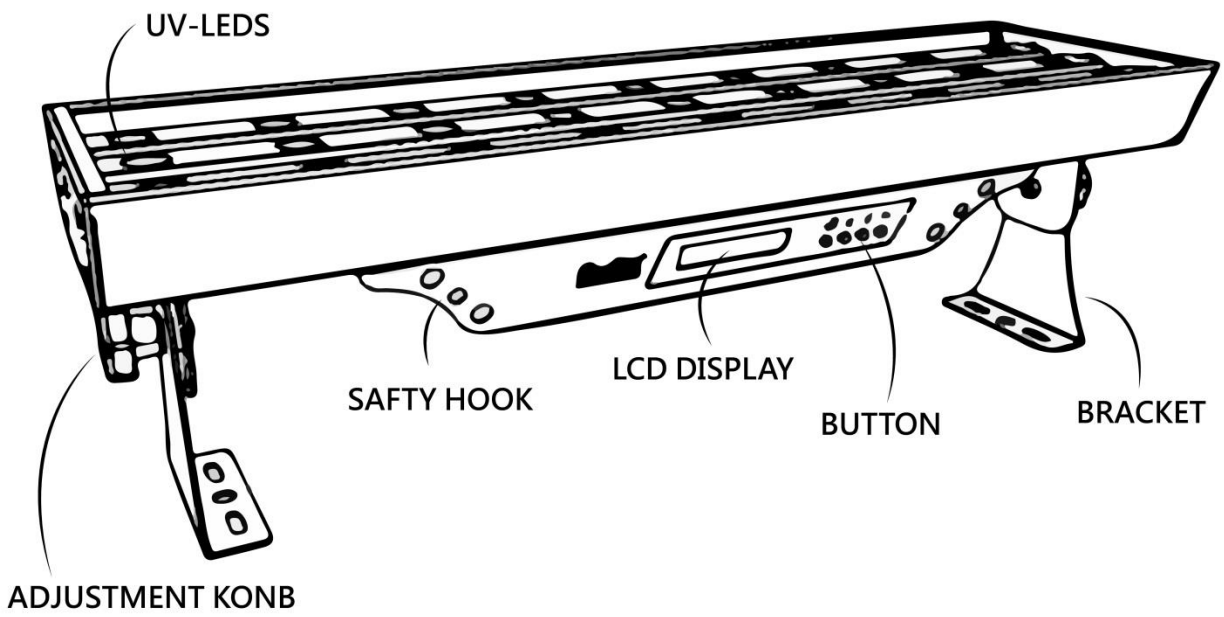
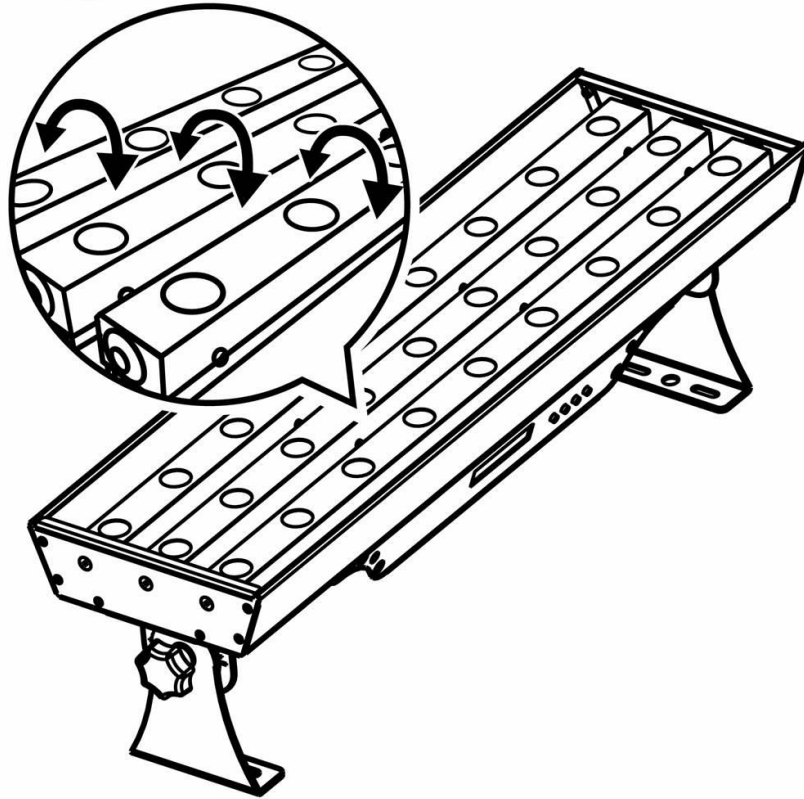
- 1 x DarkFX Wash 2000 UV Light
- 1 x Power Cord
- 1 x User Manual

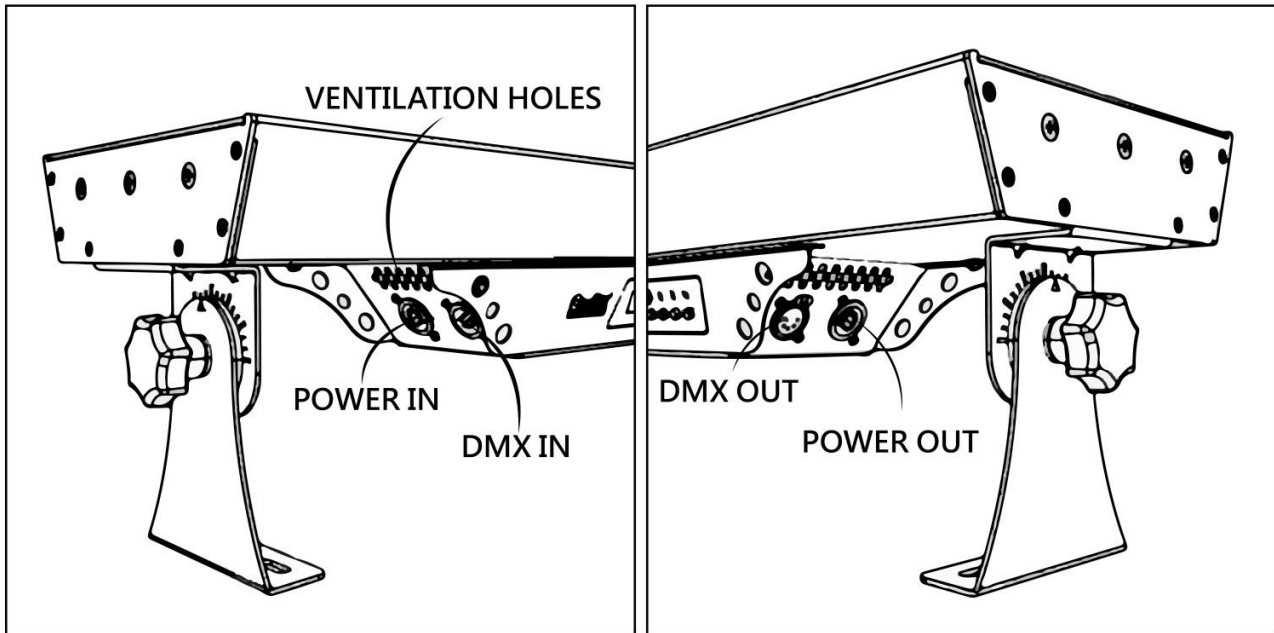
Product Dimension



Product Overview

Adjustable Position LED Strips





Setting Up

AC Power Connection

This fixture includes an auto sensing power supply ranging from AC100-240V, 50-60Hz. Only connect fixture to AC power within this range.

This fixture can be powered through daisy chaining method. Connecting power output to power input, all fixtures in the chain will draw power via the first fixture. Total current draw of all fixture must not exceed 8 amps maximum.

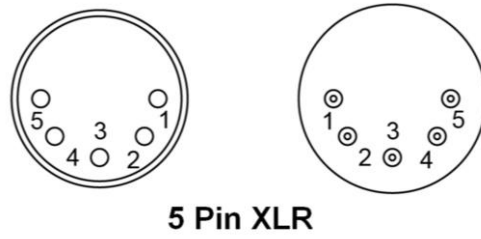
Data Linking

Serial data links is required when operating the fixture through DMX controller. When planning the data link please consider following:

- Maximum recommended length of data link is 500 meters.
- Maximum recommended number of data linked fixtures is 32 units.
- Fixture must be daisy chained by linking data output to next data input.
- Data output must be terminated on last fixture of each chain using a termination plug.
- Avoid long parallel run of AC power and data cables as it may cause interference on the data link.

DMX Connector Pin Assignment

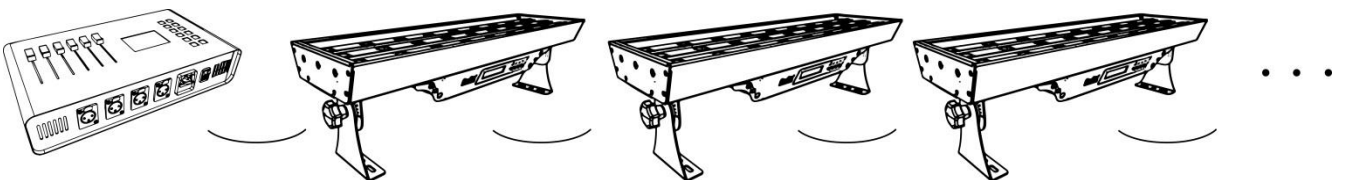
The fixture provide 5 pin XLR connector for DMX connection. Diagram below indicate pin assignment information



Pin	Function
1	Ground
2	Data-
3	Data+

DMX Connection

When using standard DMX controller, connect the DMX output of the controller directly with the DMX input of the first fixture in the DMX chain. Connect the DMX output of the first fixture in the chain with DMX input of the next fixture.



Physical Installation

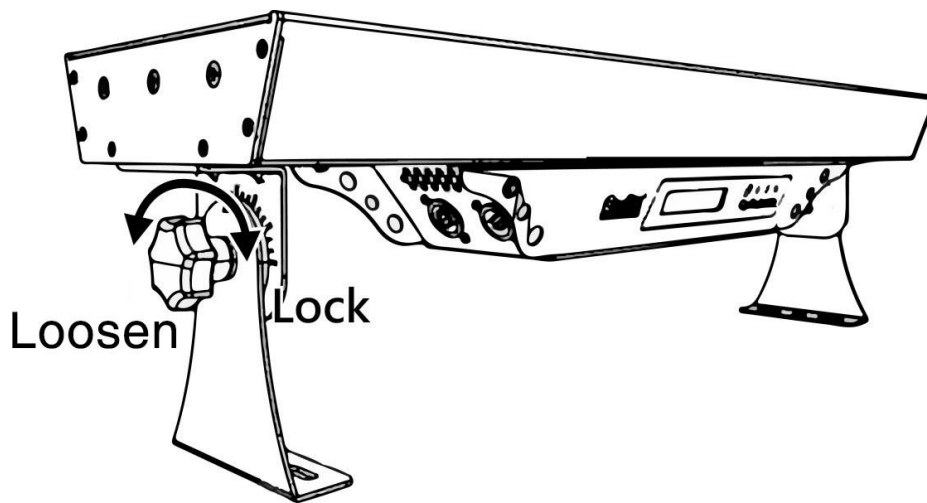
Important

- Use supplied mounting bracket or rigging clamp to install fixture.
- Make sure installation location, fastening connecting, and rigging hardware can hold at least 10 times the weight of the fixture.
- Make sure no combustible or flammable material nearby.
- Secure each fixture with an approved safety cable that can hold at least 10 times the weight of fixture.

- *Make sure fixture installed in a well ventilated area.*
- *Consider lamp replacement and routine maintenance access when selecting installation location.*

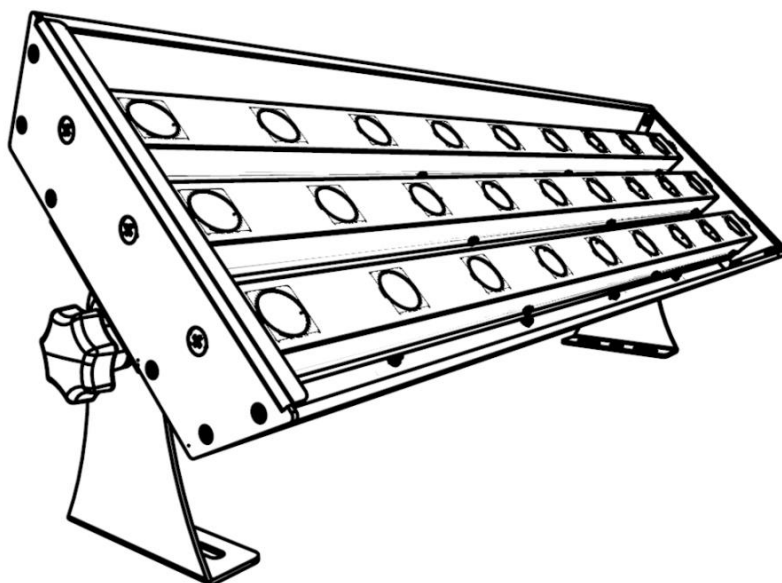
Adjustable Mounting Bracket

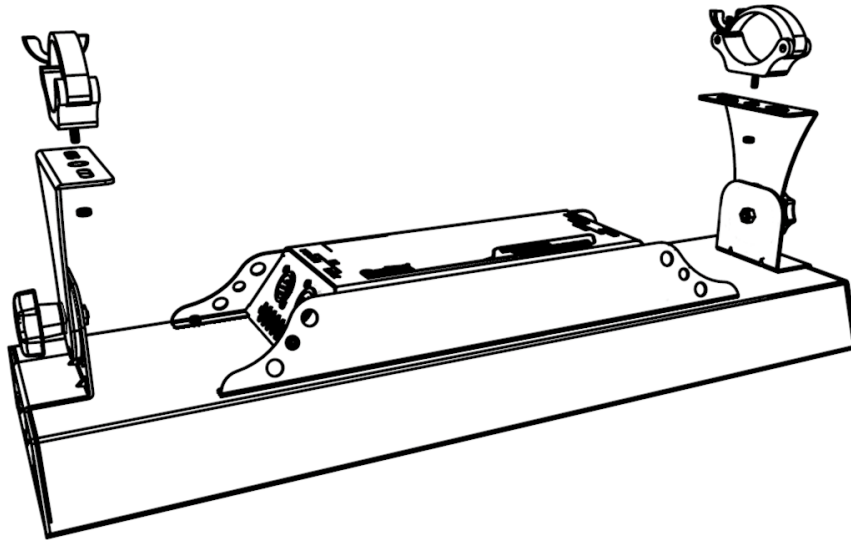
Adjust mounting bracket by loosening gear screw, set the fixture to desire angle and tighten the gear screw to finish adjustment. Illustration below demonstrates how to adjust mounting bracket.



Mounting

Use screws for surface mounting or clamps for truss mounting.





Operation

Control Panel Operation

The fixture can be operated with onboard digital control interface



Button	Function
[MENU]	Scroll through setting menu
▲ [UP]	Up
▼ [DOWN]	Down
[ENTER]	Deactivate Timer/Volume function

Control Menu

Main Menu	Option	
DMX Mode	DMX Address	001-512
	DMX Channels	01/02

Static Mode	Dimmer	0-100%
	Strobe	0-20Hz
Option	Dimming Curve	Linear/Square/Inverse Square/S-Curve
	Display	Auto/On
	Default Setting	Restore
Info	Serial Number	Show machine serial number
	Usage Time	Show machine total usage hour
	Current Temp	Show current LED temperature
	Software Version	Show machine software version

DMX Address Setting

Assign DMX address manually when fixture needs to be assign to specific address or use with other fixture.

- i. Press “MENU” button to find DMX Mode menu, press “ENTER” to enter submenu.
- ii. Use “UP” or “DOWN” button to find DMX Address menu, press “ENTER” to edit
- iii. Use “UP” or “DOWN” button to set DMX address from 001 to 512. Press “ENTER” to store setting.

DMX Channels

Set desire DMX control channel mode to gain require control function when control fixture by DMX desk.

- i. Press “MENU” button to find DMX Mode menu, press “ENTER” to enter submenu.
- ii. Use “UP” or “DOWN” button to find DMX Channels menu, press “ENTER” to edit
- iii. Use “UP” or “DOWN” button to set DMX Channel mode 01 or 02. Press “ENTER” to store setting.

DMX Channel Function

Channel Mode	Channel	Value	Function
1	1 Dimmer	0-255	Dimmer 0-100%
2	1 Dimmer	0-255	Dimmer 0-100%
	2 Strobe	0-5	Off
		6-255	1-20Hz

Service and Maintenance

Important! Smoke fluid residue, dust and any excessive particle residue will degrade product performance, cause overheating and damage fixture. Damages caused by inadequate cleaning or maintenance are not covered by product warranty.

Cleaning

- Unplug fixture from AC power before starting.
- Use vacuum or air compressor and soft brush to remove dust on components and vents.
- Clean fixture with a moist, lint-free cloth.
- Never use alcohol or solvents.

Technical Specifications

Input voltage	AC100-240V 50-60Hz
Power	45W @ 110VAC 50W @ 220VAC
LED	27 x 1.9W High Power UV LED
Refresh rate	500 Hz
Optics	25 degrees
Output	20290 mW
Project lamp life	20,000 hrs L70 at 25C
Color range	365nm
Control option	DMX 512, Manual
DMX channels	1, 2
Operation	8 bit DMX 512, 2 x 16 digit display with 4 buttons
Power connection	Neutrik Powercon in/through
DMX data connection	5-pin XLR
Housing	Metal
Protection rating	IP-20 Indoor use only
Dimension	L 600 x W 173.50 x H 178.70 mm
Dry weight	5.8 kg

DarkFX
Wash 2000

PMA0166-ATR