

# ETC® Unison Echo® EchoConnect™ Station Power Supply

UL US LISTED cUL LISTED CE 100V 120V 230/240V 277V

## Echo Control Series



### GENERAL INFORMATION

A member of ETC's Unison® Echo family of lighting-control and power-control products, the Echo Station Power Supply provides EchoConnect power for stations, responsive controls and power controllers. Echo Station Power Supplies are designed for use with distributed Echo Control Systems, Unison DRd Power Enclosures with Echo control, Echo Relay Panels and Sensor3 Power Control Systems.

#### APPLICATIONS

- Houses of worship
- Education
- Hospitality
- Healthcare facilities
- Office buildings
- Conference rooms
- Meeting rooms
- Retail

#### FEATURES

- Designed for use with any EchoConnect-enabled station, responsive controls or Echo power controllers
- EchoConnect: Two-wire, topology-free system gives you the freedom to put stations where you need them
- Multiple form factors and mounting options available
- Plug and play: ready to go out of the box with no software or programming required

#### SYSTEM LIMITATIONS

- Up to 1640 feet (500 meters) of control wiring
- DRd, Wall-, Rack- and DIN Rail Mount:
  - Up to 16 stations and responsive controls
  - Up to 16 power controllers or panels
- Echo Station Power Supply
  - Up to six stations and responsive controls
  - Up to six power controllers or panels

#### GENERAL

- UL and cUL LISTED
- CE Marked (Except E-SPS and E-APS)

### ORDERING INFORMATION

#### EchoConnect Power Supplies

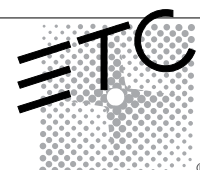
MODEL	DESCRIPTION
E-SPS	Echo Station Power Supply, Knockout Mount
E-SPM-WM	Wall-Mount Station Power Module
E-SPM-RM	Rack-Mount Station Power Module
E-SPM	DRd Station Power Module
E-SPM-WM-A	Wall-Mount Station Power Module with 24V Aux
E-SPM-RM-A	Rack-Mount Station Power Module with 24V Aux
E-SPM-A	DRd Station Power Module with 24V Aux
E-APS	24V Aux Power Supply, Knockout Mount
E-SPS-DIN	DIN Rail Mount Station Power Supply with 24V Aux

#### EchoConnect Power Supply Accessories

MODEL	DESCRIPTION
E-C5T-ST	Category-5 Station Wiring Kit
E-C5T-WM	Category-5 Wiring Termination Box
E-C5T-RM	Category-5 Wiring Termination Tray

#### Compatible Stations and Sensors

MODEL	DESCRIPTION
E100X	Inspire® Button Stations
E1104	Inspire Fader Station
ELS	Light Sensor
EOCC	Occupancy/Vacancy Sensor
EPS05/ EPS10	Preset Stations
E-ATC	Echo TimeClock



## ORDERING INFORMATION

## Compatible Interfaces

MODEL	DESCRIPTION
EACC	EchoAccess™ Interface
EDMXC	Echo DMX Scene Controller
EEl	Echo-Echoflex Interface
EEB	Echo Expansion Bridge

## Compatible Power Controls

MODEL	DESCRIPTION
ERC	One-Zone Relay Controller
EDRC	Two-Zone Relay Controller
ELD	One-Zone 0-10V Dimming Controller
EDLD	Two-Zone 0-10V Dimming Controller
ESSC	One-Zone SmartSpace Controller
EDSSC	Two-Zone SmartSpace Controller
ELVD	600-Watt Phase Adaptive Dimmer
ERP/ERP-FT	Echo Relay Panel/Echo Relay Panel Feedthrough
DRd	Unison DRd with Echo Control
SR3	Sensor3 Power Control System

## SPECIFICATIONS

## FUNCTIONAL

- Provides EchoConnect power for up to 6 or 16 stations or Responsive Controls and 6 or 16 power controllers or panels
- Supports 1640 feet (500 meters) of control wiring

## MECHANICAL

- Echo Station/Auxiliary Power Supply
  - Mounts using half-inch conduit knockout
  - Constructed of injection-molded ABS plastic
- DRd, Wall and Rack Mount:
  - 18-gauge formed steel construction
  - Fine-texture, scratch-resistant, epoxy paint
  - Convection cooled
  - Fully contained plug-in module with no discrete wire connections (DRd only)
  - Front panel status indicators
  - Wall-mount and 19-inch rack-mount variants available
- E-SPS-DIN
  - DIN Rail mounting complies with DIN43880 (35/7.5 rail)

## ELECTRICAL

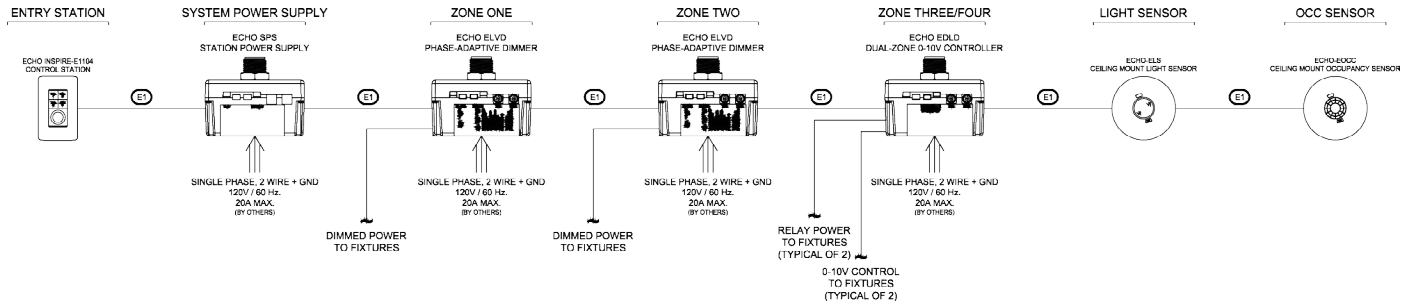
- 100V-277V, 50/60Hz, two-wire+GND power input
- Optional 24V Aux power options for connected devices
- EchoConnect two-wire control network utilizing low-voltage Class 2 wiring
- Topology-free and polarity-independent wiring over Belden 8471 or equivalent and one #14 ESD drain wire
- Wiring may be bus, loop, homerun or any combination of these
- Up to 1640 feet (500 meters) of control wiring per system
- Supports optional Cat5 or better wiring using Belden 1583A or equivalent
  - Requires optional Cat5 termination accessories
- E-SPS-DIN includes 24v power supply
- UL and cUL LISTED
- CE Marked (Except E-SPS and E-APS)

## THERMAL

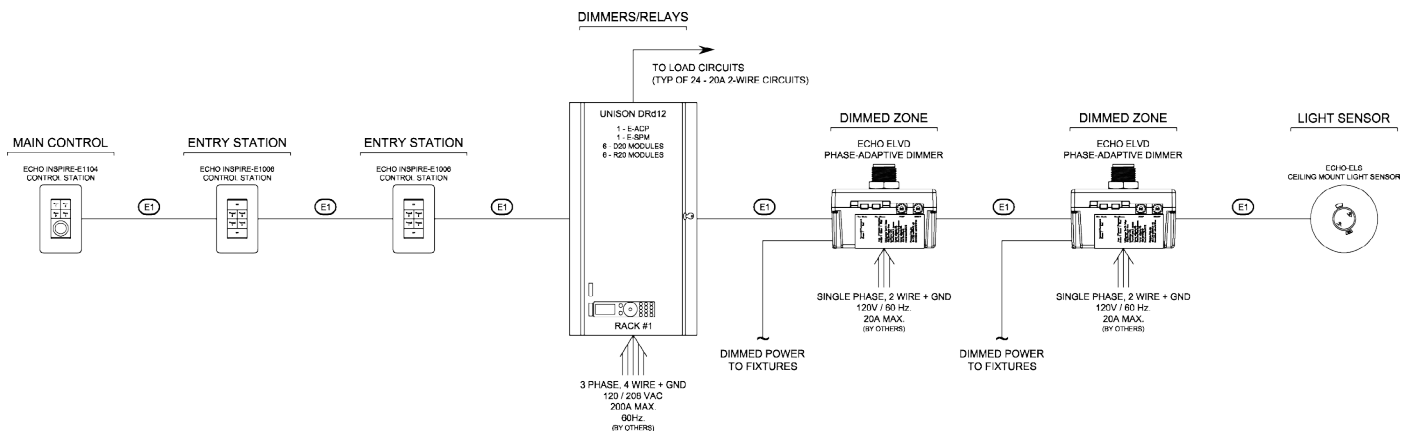
- E-SPS, E-APS and E-SPS-DIN:
  - Ambient room temperature: 0-50°C / 32-122°F
  - Ambient humidity: 5-95% non-condensing
- DRd, Wall- and Rack-Mount
  - Ambient room temperature: 0-40°C / 32-104°F
  - Ambient humidity: 10-90% non-condensing

### SAMPLE ECHO SYSTEMS

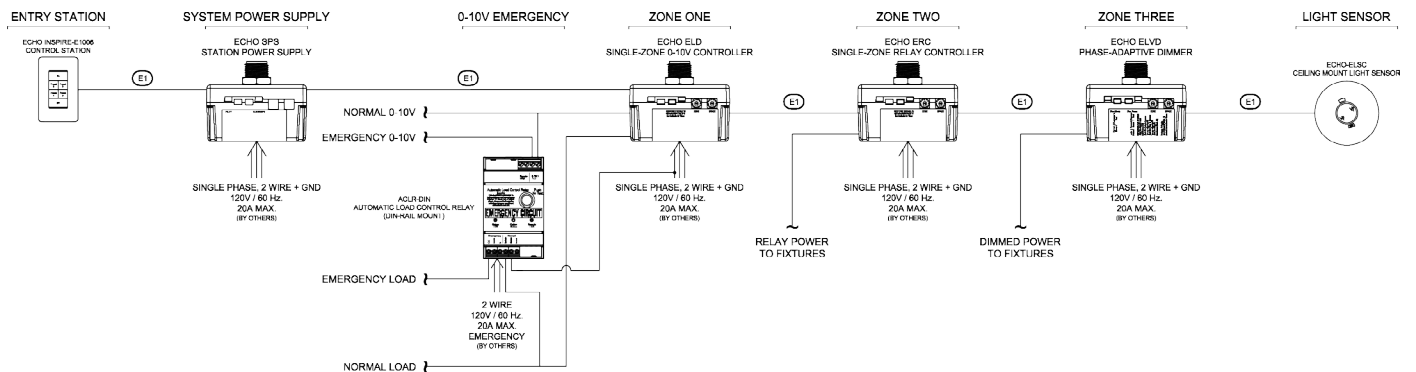
#### SMALL SYSTEM



#### MEDIUM SYSTEM

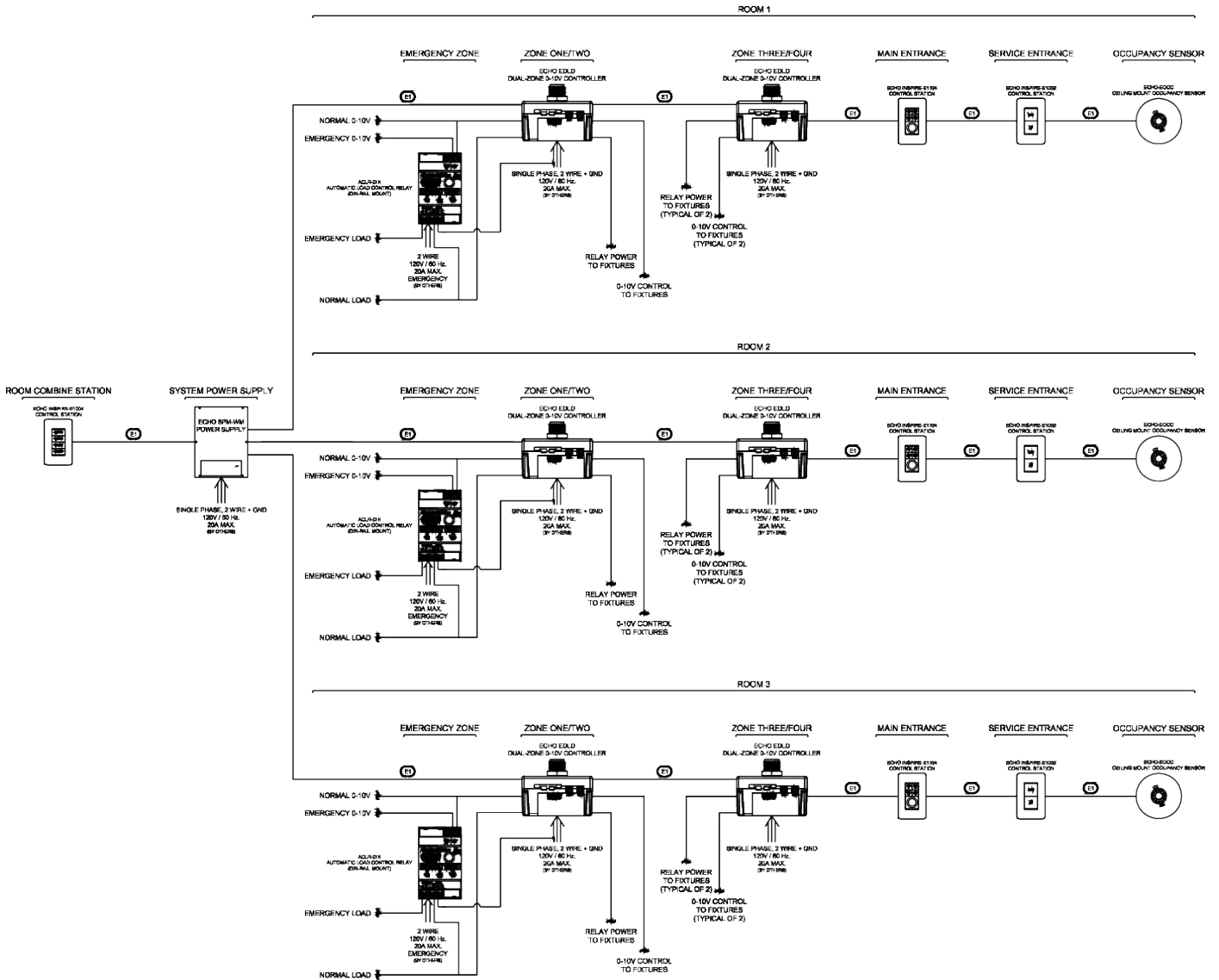


#### CONFERENCE ROOM



SAMPLE ECHO SYSTEMS

### MEDIUM BALLROOM



PHYSICAL

Module Dimensions\*

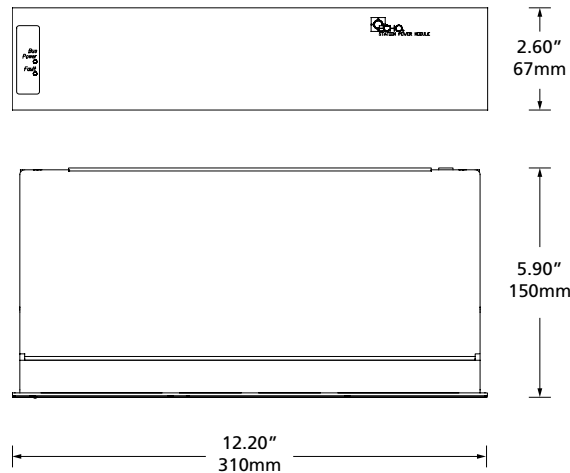
MODEL	HEIGHT		WIDTH		DEPTH	
	inches	mm	inches	mm	inches	mm
E-SPM(-A)	2.6	67	12.2	310	5.9	150
E-SPM-WM(-A)	14	356	10.5	267	3.06	79
E-SPM-RM(-A)	3.46	88	19	483	10.04	255
E-SPS(-APS)	1.97	51	35	89	2.19	56
E-SPS-DIN	3.88	99	2.96	75	3.90	99

Module Weights\*

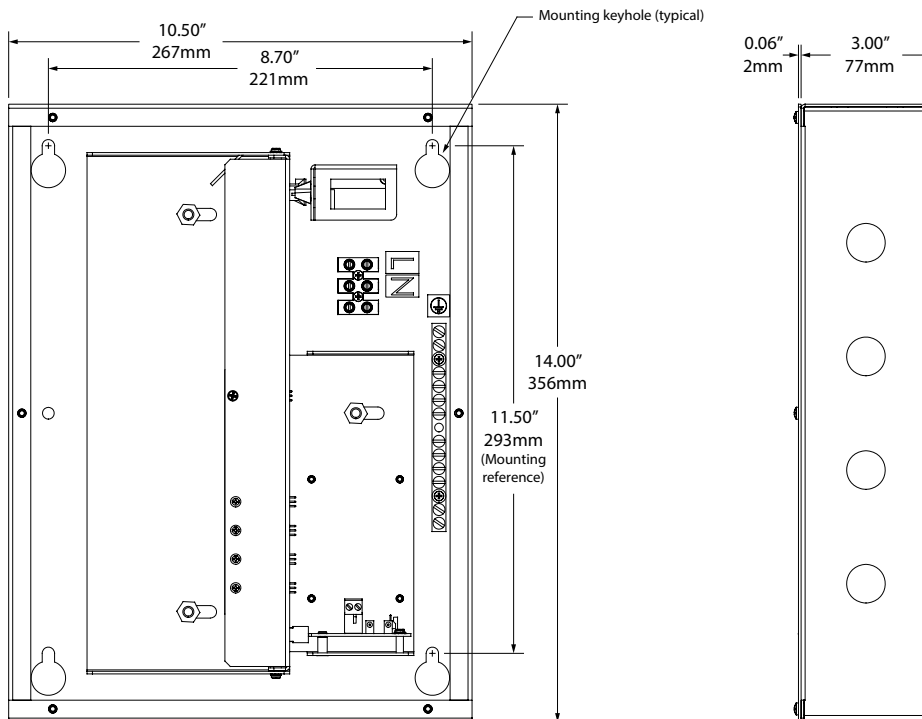
MODEL	WEIGHT		SHIPPING WEIGHT	
	lbs	kgs	lbs	kgs
E-SPM(-A)	4.8	2.18	5.8	2.63
E-SPM-WM(-A)	14.7	6.67	15.7	7.12
E-SPM-RM(-A)	15	6.80	16	7.26
E-SPS(-APS)	1	0.45	1.5	0.68
E-SPS-DIN	1	0.45	1.5	0.68

\*Weights and dimensions typical

E-SPM(-A)

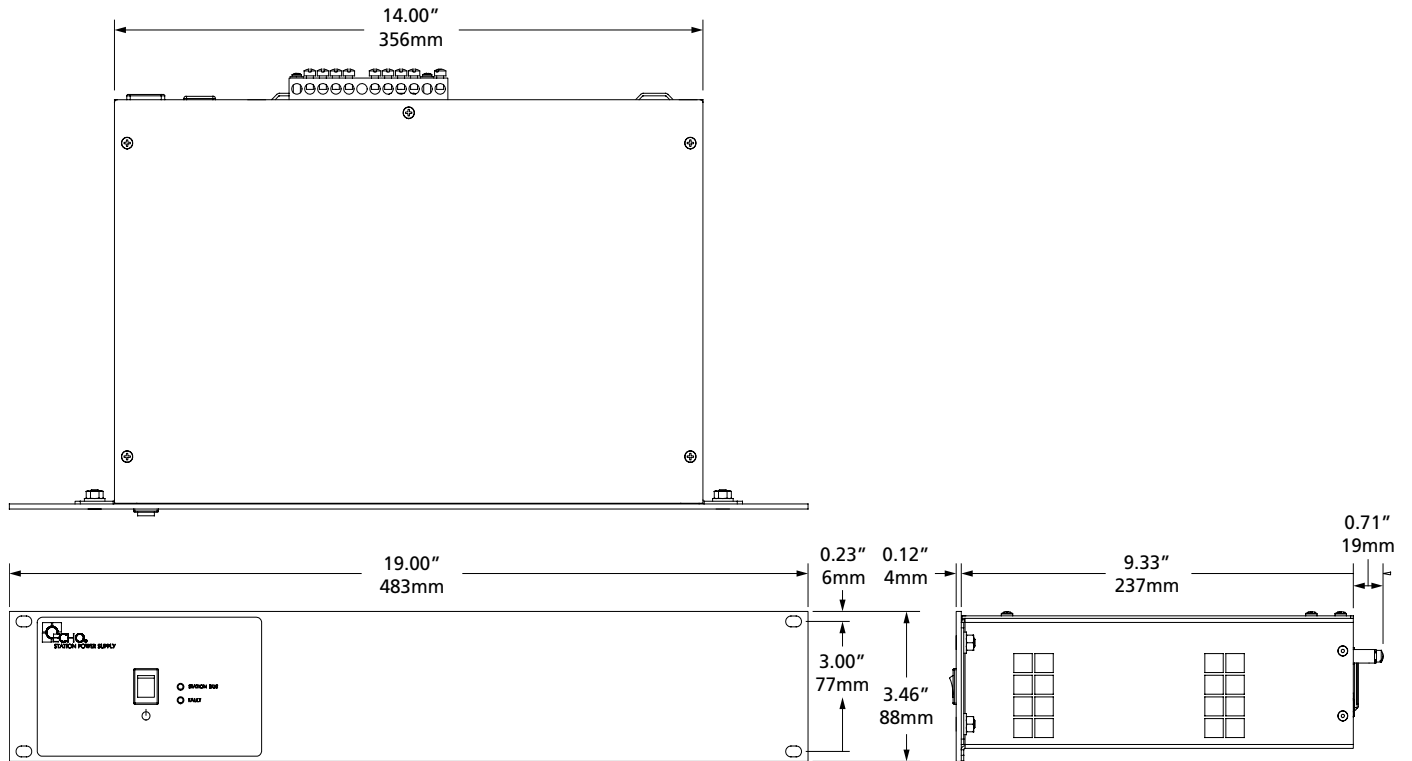


E-SPM-WM(-A)

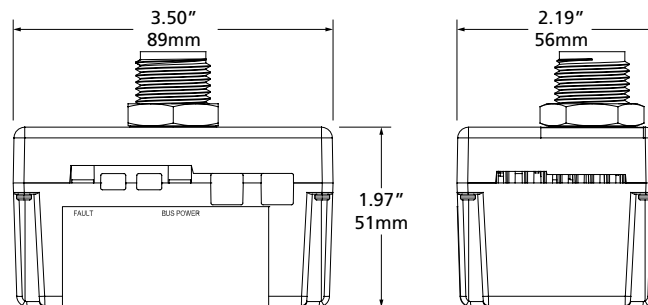


PHYSICAL

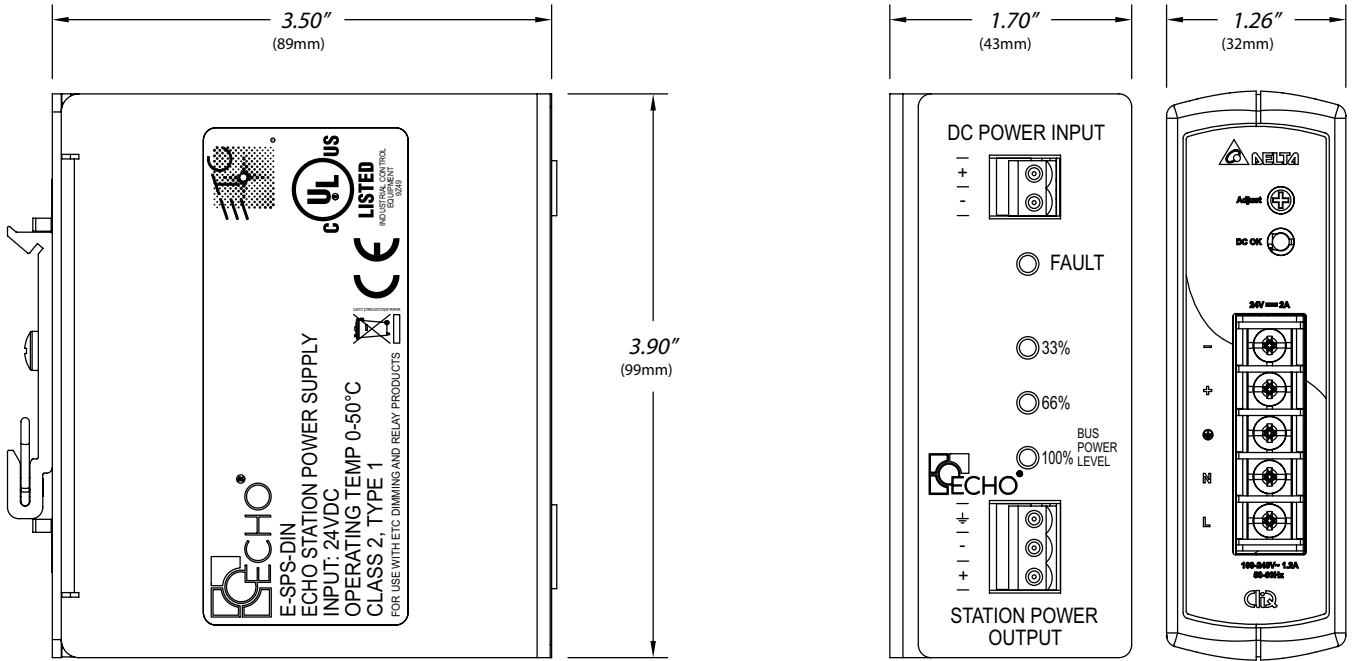
E-SPM-RM



E-SPS / E-APS



PHYSICAL



**Corporate Headquarters** • 3031 Pleasant View Rd, PO Box 620979, Middleton WI 53562 0979 USA • Tel +1 608 831 4116 • Fax +1 608 836 1736

**London, UK** • Unit 26-28, Victoria Industrial Estate, Victoria Road, London W3 6UU, UK • Tel +44 (0)20 8896 1000 • Fax +44 (0)20 8896 2000

**Rome, IT** • Via Ennio Quirino Visconti, 11, 00193 Rome, Italy • Tel +39 (06) 32 111 683 • Fax +44 (0) 20 8752 8486

**Holzkirchen, DE** • Ohmstrasse 3, 83607 Holzkirchen, Germany • Tel +49 (80 24) 47 00-0 • Fax +49 (80 24) 47 00-3 00

**Hong Kong** • Room 1801, 18/F, Tower 1 Phase 1, Enterprise Square, 9 Sheung Yuet Road, Kowloon Bay, Kowloon, Hong Kong • Tel +852 2799 1220 • Fax +852 2799 9325

**Web** • www.etconnect.com • Copyright©2016 ETC. All Rights Reserved. All product information and specifications subject to change. 7186L1008 Rev. H Printed in USA 07/16