

**M-Series**  
MAKING  
COMPLEXITY  
EASY

**M**  
Series

**MARTIN PROFESSIONAL**



# Martin M1 HD™

Product Introduction

The all-in-one control solution

**Martin**<sup>®</sup>  
by HARMAN



# Martin M1 HD

**Martin**  
by HARMAN





# Introduction

**M1 HD**

MARTIN PROFESSIONAL

Welcome to the  
Martin M1 HD

The newest member of  
the M-Series of controllers  
from Martin Professional

**M**

Series

MARTIN PROFESSIONAL



The all-in-one control  
solution!

**Martin**<sup>®</sup>  
by HARMAN



# M1 HD



**Martin**<sup>®</sup>  
by HARMAN

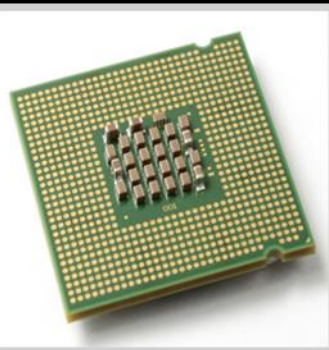
The new Martin M1 HD console is highly capable to meet today's and tomorrow's demands and delivers 40 universes of DMX, Art-Net and sACN.

All 40 universes are fully unlocked with no need to obtain extra licensing. M1 HD includes the latest graphic chipset to ensure smooth graphical effects of future software upgrades.

Four additional parameter encoders located to the right of the display can be customized to user needs and taste.

# M1 HD key features

Foldable touchscreen  
with 4 additional  
encoders



Onboard 40 universe  
processor

34 Playbacks



**Martin**<sup>®</sup>  
by HARMAN

In our quest to find the right balance between features and cost, every aspect of the M1 HD design has been considered. The result is the perfect console for today's wide range of applications, from rental to permanent installations.



# Built like no other



Industrial components

Meticulous assembly



Unmatched quality / price

**Martin**<sup>®</sup>  
by HARMAN

All Martin M1 HD components are industrial grade and made to endure the toughness of rental and touring.

Assembly quality, thorough testing, and software stability are all aspects that make the M1 HD the right choice.

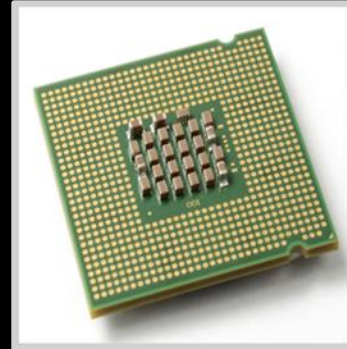
Not all consoles are created equal; the choice of components is extremely important and the M1 HD is built with the best components on the market.





# Performance

More Power Than Ever!



Efficient  
communication  
protocol

Quick and snappy user  
interface



**Martin**<sup>®</sup>  
by HARMAN

The Martin M1 HD is equipped with a 6<sup>th</sup> generation quad core processor, making operation responsive.

The user interface remains fast and responsive even if dozens of playbacks and effects are activated simultaneously.

With onboard 40 universes processing the M1 HD is certainly one of the most cost effective solution out there.



# Ergonomics



Ergonomically proven  
control surface

Adjustable Capacitive  
high resolution  
Touchscreen



Direct access to  
everything you need

**Martin**<sup>®</sup>  
by HARMAN

Ergonomically proven control surface, comfortable, low profile design with proper spacing between faders and buttons, a perfect balance of buttons, faders and encoder wheels...

An adjustable-foldable touchscreen to ensure the perfect viewing angle in any ambient light condition.

# Displays

Standard capacitive multi-touch display fully adjustable angle



Dual DisplayPort for external monitors

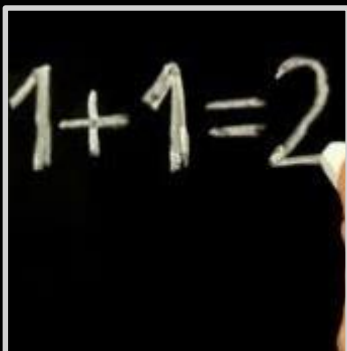
A total of three displays

3

**Martin**<sup>®</sup>  
by HARMAN

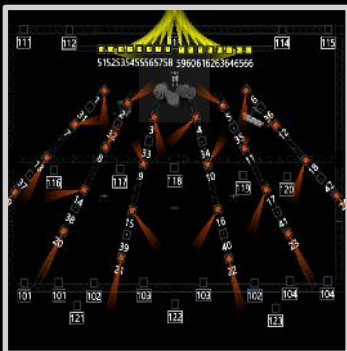


# Ease of use



Software simplicity

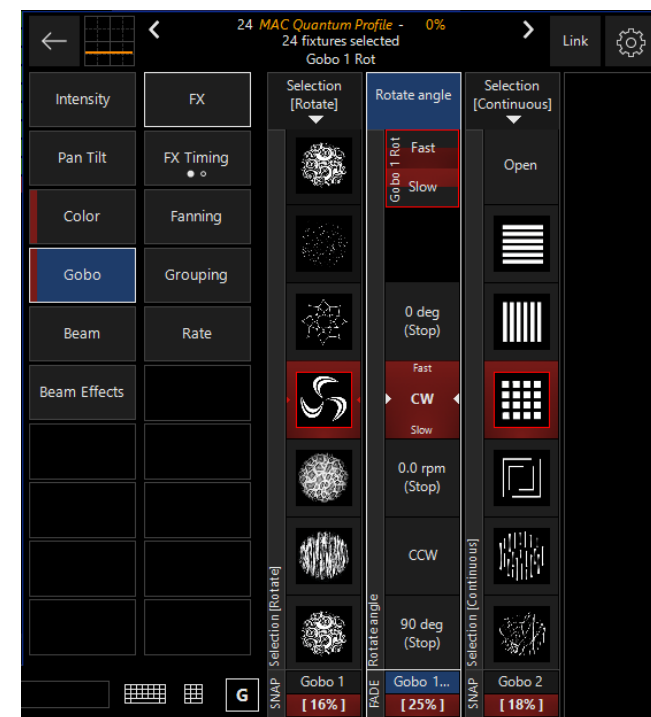
Clean interface



2D Plan



The Martin M1 HD is the easiest lighting console you will ever learn. Why? Because the Martin M-Series software has been designed from the ground up with a single philosophy in mind - simplicity...





# MIDI & SMPTE timecode

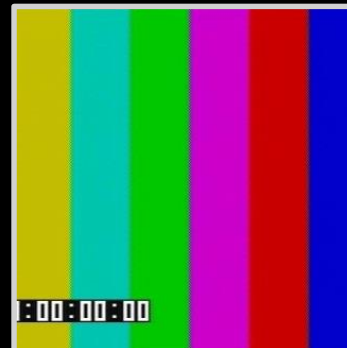
Standard on all  
M1 HD



**MIDI**

Built-in MIDI module

Built-in SMPTE module



**Martin**<sup>®</sup>  
by HARMAN

The M1 HD comes standard with an internal MIDI module to connect external MIDI devices and timecode

An SMPTE Timecode module is included for professional timecoded shows.

# M1 HD & DMX



DMX / Art-Net /sACN

EtherDMX



M-DMX

**Martin**<sup>®</sup>  
by HARMAN

The M1 HD has 4 physical DMX ports and comes standard with 40 DMX universes un-locked over Art-Net or streaming ACN  
No expansion license or external processors needed

Any compatible EtherDMX nodes can be used in Art-Net or sACN protocol

M-DMX can also be used for additional DMX outputs

# Included items

Built-in LED Desk lamp



Neutrik True1 power connector

Dust cover



**Martin**<sup>®</sup>  
by HARMAN





# Free Martin One-Key included



[www.martinshowdesigner.com](http://www.martinshowdesigner.com)



The M1 HD ships with a free Martin One-Key dongle.

This dongle contains a free MSD Lite 1/year license as well as a lifetime M-PC Pro 64 universes license.

The perfect solution to program any shows in the comfort of home or hotel.



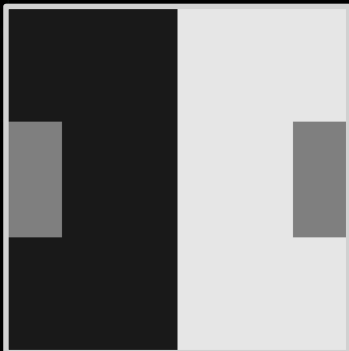
# Lighting is about contrast...



Now you see me!

Now you don't!

It's grey for a good reason...



...it's all about contrast

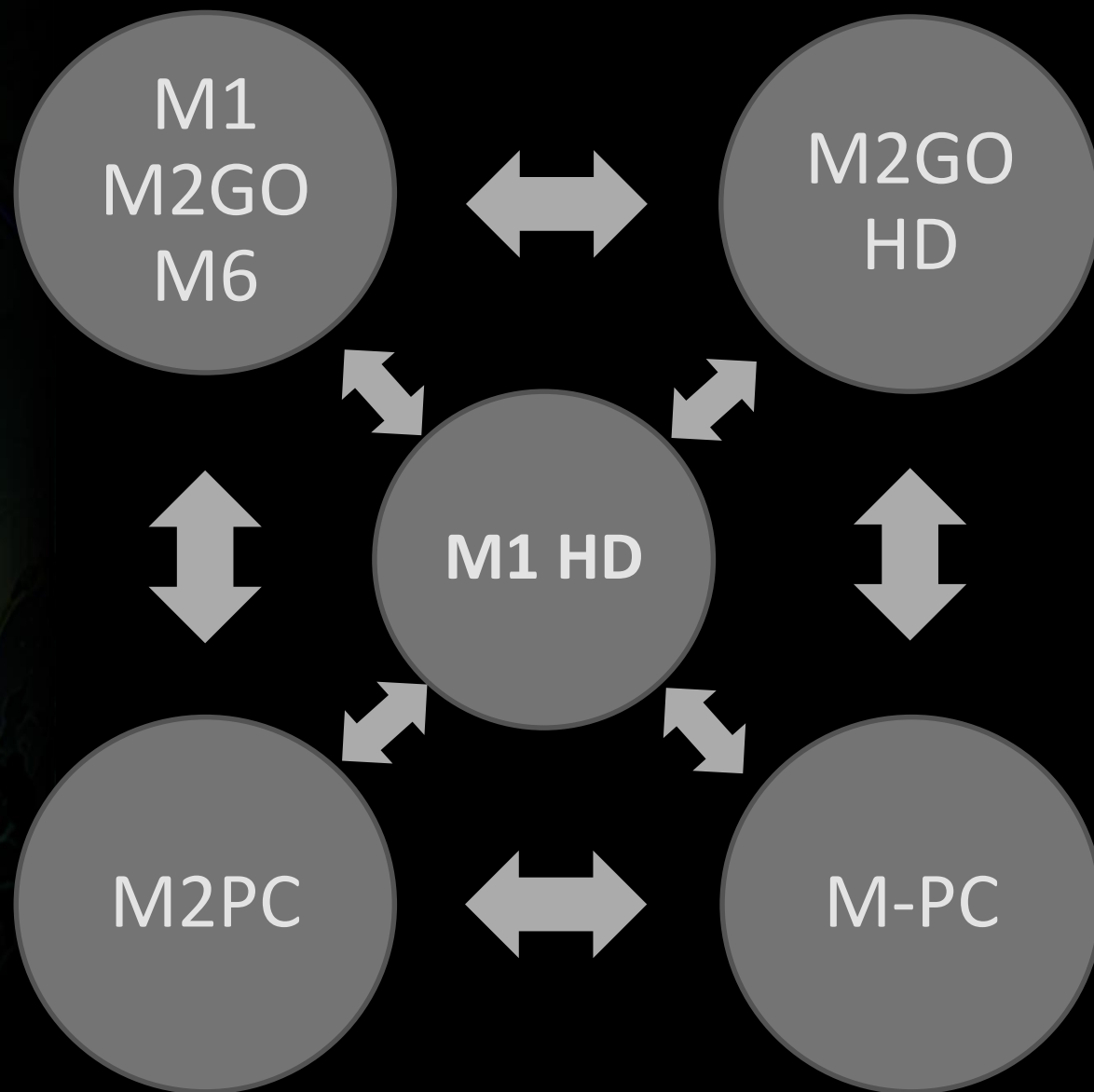
**Martin**<sup>®</sup>  
by HARMAN

Contrast of the user surface is of great importance. On a typical event, the stage is often very bright while the control booth is quite dark.

Under such conditions, a black surface and black buttons don't work well together. Even backlit keys can cause sight issues in such a dark environment...



# M-Series - A real family



All show files made in any M-Series console or M-PC are fully compatible with the M1 HD.

The same goes for show files made on the M1 HD - they will load properly on any M-Series product with the same or higher software version.





# M1 HD best companions

M-Play & M-Touch



Playback II Module

Submaster module



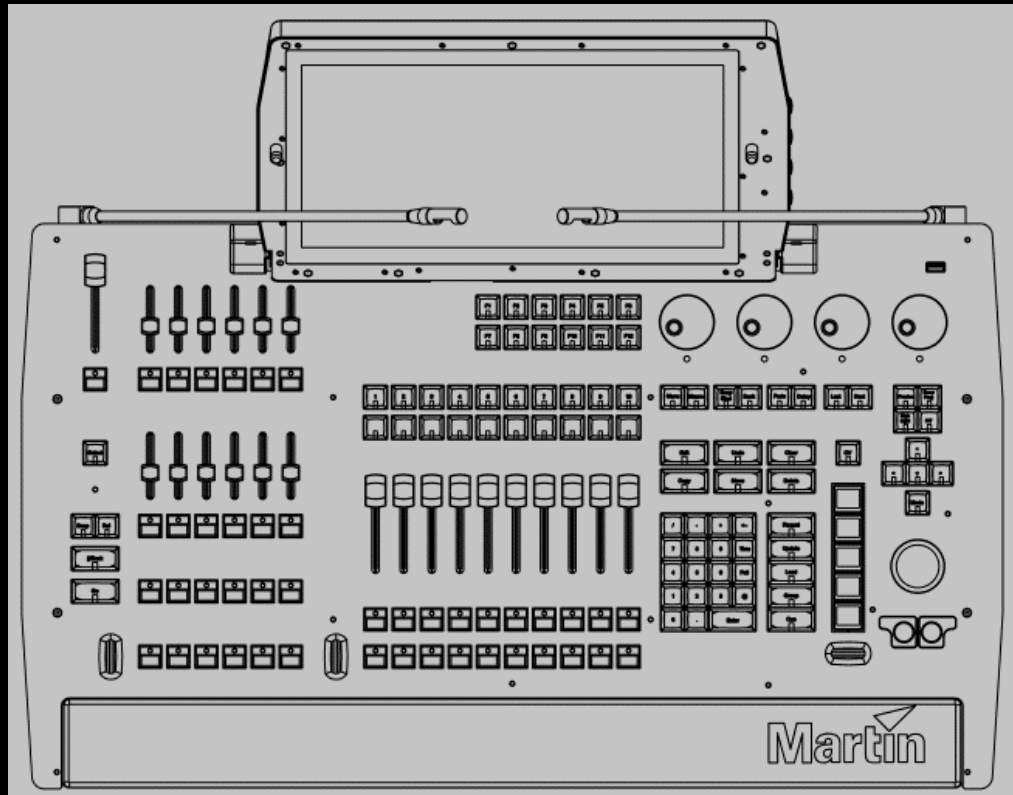
**Martin**<sup>®</sup>  
by HARMAN

The M1 HD can benefit from several external devices to increase the number of playbacks faders and buttons.

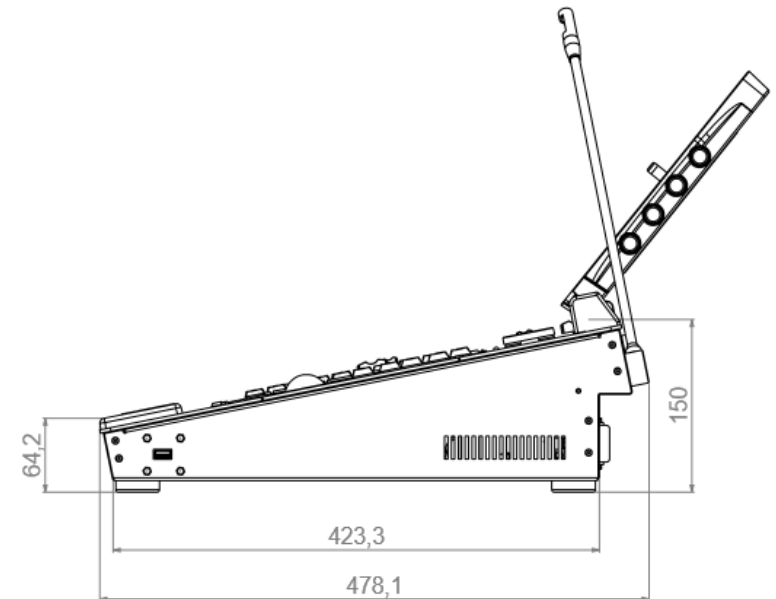
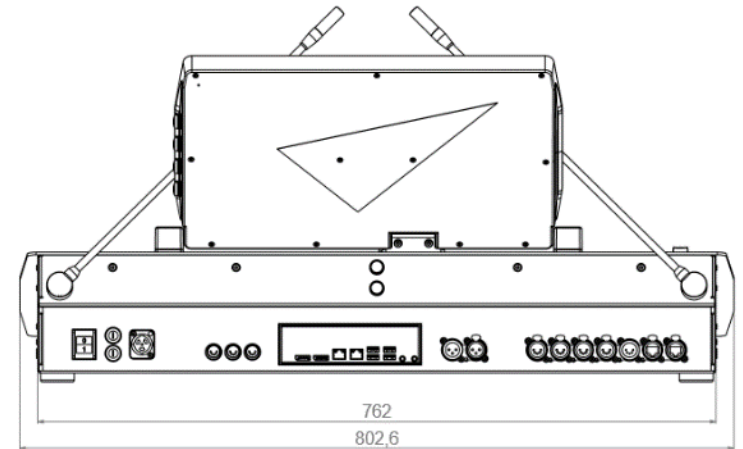
- 90737030 Martin M-Play
- 90737040 Martin M-Touch
- 90732190 Playback II Module
- 90732170 Submaster Module

# Dimensions

- Depth: 478 mm
- Width: 803 mm
- Height: TBD mm
- Weight: TBD kg



**Martin**<sup>®</sup>  
by HARMAN



# Additional photos





# M1 HD feature list

- High resolution folding capacitive multi-touchscreen
- Integrated Industrial high speed processing
- Digital LCD buttons for fast and direct parameter access
- 8 digital encoders for parameter control
- 12 customizable function keys
- Multiple wing attachment (M-Series Modules)
- 4x DMX Universes direct from the console; up to 40 Universes via Art-Net and sACN without external processors
- M-Series Manager Software for programming and triggering via time and calendar schedules, RS232 and IP triggers
- Customizable Graphical User Interface with context sensitive toolbars and integrated help menu
- Powerful effects engine
- Controls up to 20480 parameters
- Built-in 2D visualizer for selection and real-time visualization
- 1000 cuelists with fader control
- 1000 cuelists with playback control buttons
- Two separate playback sections
- Parallel execution of multiple cuelists
- Submaster, groupmaster and override functionality
- Parameter and time-fanning functionality
- Auto update for presets and cues
- On-the-fly global timing adjustments
- MaxNet synchronized programming and playback support

# Availability and ordering information



- M2GO HD P/N: 90737080
- M2GO HD flightcase P/N: TBA
- M1 HD P/N: 90732090
- M1 HD flightcase P/N: TBA

- Availability Q1 2017

- Price:

- M1 HD with 40 universe, MIDI and SMPTE
- M2GO HD with 20 universe, MIDI and SMPTE

*Contact your local Martin/Harman sales representative*

*Contact your local Martin/Harman sales representative*

*Prices are subject to changes without notice*

\* An extra Martin One-Key with M-PC Pro 64 Universes and Martin ShowDesigner Lite for one year is included at no extra charge

# Q&A

## *Why the HD upgrade?*

Processing power and speed of industrial PCs has drastically increased over the last few years, and with the launch of the M6 we designed a rugged custom glass display that allowed us to create a refresh of the M1 and M2Go with latest generation of industrial motherboards. The form factor, layout and playback features of both consoles have received really good feedback so we kept them and focused on the processing, additional I/O and display ports and screen improvements.

## *Can I upgrade my current M1 and M2GO to the new screen or new motherboard?*

No, an upgrade is technically not possible. Metalwork, wiring, Windows licenses, UL approval are all different and an upgrade is not economically possible. However all current consoles in the market will update itself to their maximum Universe license at no charge after installing M-Series 3.60 software. M2GO supports 8 Universes, M1 up to 32.

## *How many Universes are possible?*

M1 HD calculates 40 Universes, M2GO HD calculates 20 Universes over Art-Net and sACN. No external processing is required, all calculations are done inside the console itself.

## *Can I expand the Universe license?*

License expansion are no longer needed for M-Series consoles, all consoles ship with their maximum Universe capabilities enabled. This is based on the speed of the processor.

## *Are the consoles compatible with the current M-Series product line?*

Yes, the consoles can be used together with all other M-Series desks and accessories. The software is 100% identical across all M-Series devices.

# Q&A

*Is the screen identical to the M6 ?*

The LED display is identical with the same resolution, the glass is a newer generation of capacitive touch. The screen is NOT optically bonded for improved outdoor performance. The BriteTouch screens are only used on the M6 console.

*Is there a console version without the attached screens?*

There are currently no plans to offer the consoles without integrated touch screens.

*What is the internal screen resolution?*

The consoles utilize an industrial 1366x768 HD display, LED high brightness backlight, 10 point multi touch glass touchscreen.

*How many external monitors can be used?*

Both consoles support two additional 1920x1080 displays. M1 HD uses DisplayPort, M2GO HD uses HDMI.

*What connection ports are included?*

2x Gigabit Ethernet, 2x external display, USB 3.0, USB 2.0, SMPTE, MIDI, 4x DMX Out. The M1 HD adds DMX In, 2x M-Series Module out. All ports are standard, no extra items are required.

*What are the technical details of the internal processors?*

Both consoles use Windows 10 Embedded, industrial motherboards, Intel Quad Core processing, 120GB SSD and 8GB RAM



# Q&A - sales



*What are the retail prices?*

M1 HD : *Contact your local Martin/Harman sales representative*

M2GO HD : *Contact your local Martin/Harman sales representative*

Please note that an extra Martin One-Key with M-PC Pro 64 Universes and Martin ShowDesigner Lite for 1 year is included at no extra charge.

*What is included?*

M2GO HD: Power Supply, IEC cable, fabric dustcover, USB recovery drive, and as a bonus a free Martin USB One-Key with M-PC Pro (64 Universes), MSD Lite 1 year subscription

M1 HD: powerCon True1 connector, fabric dustcover, USB recovery drive, and as a bonus a free Martin USB One-Key with M-PC Pro (64 Universes), MSD Lite 1 year subscription

*Does Martin offer a road case?*

A custom case was designed for each console. Part numbers and pricing are still being finalized.

Thank you for watching!



**M1**  
**HD**

**MARTIN PROFESSIONAL**