

### 1. GENERAL DESCRIPTION

The U-14R is a plug-in type Input Priority module designed to be used in conjunction with TOA's 900 Series and BG-1000 Series amplifiers.

The U-14R is equipped with 2 inputs: BGM and JUKE, and the JUKE input has priority over the BGM input. BGM signals are only output when an input is received. Output automatically switches over to JUKE signal input when JUKE signals are received. The threshold level for output switching when a JUKE signal input is detected can be adjusted.

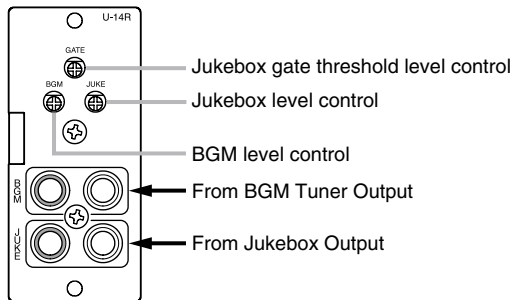
Each of BGM and JUKE inputs has both L (white jack) and R (red jack) inputs, which are internally mixed and output. The JUKE input is equipped with an AGC, which maintains a uniform output level for varying input signal levels.

The output level for BGM and JUKE inputs can be independently adjusted. When the U-14R is used with a 900 Series amplifier, its outputs (both BGM and JUKE) can be turned off using the two MUTE BUS signal channels.

### 2. CONNECTIONS AND SETTINGS

Connect each external component output to the BGM and JUKE inputs. Use the BGM level control to adjust the BGM output level, and the JUKE level control to adjust the JUKE output level. Output level increases as the control is turned clockwise.

The JUKE input's threshold level can be adjusted with the GATE threshold level control. Turning the GATE control clockwise increases sensitivity, allowing the BGM output to be switched over to the JUKE signal at a lower signal level.



When the U-14R is used with a 900 Series amplifier, if a mute signal is received from the connected external component, the U-14R operates as shown in the following table, depending on how the circuit board's MUTE 1 and MUTE 2 jumper wires are connected:

MUTE 1 jumper wire	MUTE 2 jumper wire	U-14R operation (signal output)
Connected	Connected	Normally enabled (ON). Disabled (OFF) when the amplifier's MUTE 1 or MUTE 2 terminal is shorted. (Factory-preset setting)
Connected	Cut	Normally enabled (ON). Disabled (OFF) when the amplifier's MUTE 1 terminal is shorted.
Cut	Connected	Normally enabled (ON). Disabled (OFF) when the amplifier's MUTE 2 terminal is shorted.
Cut	Cut	Operates as an ordinary input module. (No mute function operable.)

### 3. SPECIFICATIONS

Input	47 kΩ (unbalanced)
Maximum Output	+14 dB* (5 Vrms)
Distortion	BGM: 0.03% (1 kHz, 1 Vrms) JUKE: 0.05% (1 kHz, 1 Vrms)
Frequency Response	20 – 20,000 Hz ±1 dB
Output Level Variable Range	BGM: –24 to –4 dB* (–10 dB* input to L and R) JUKE: –24 to –4 dB* (–10 dB* input to L and R)
JUKE Gate Threshold Level Variable Range	–60 to –30 dB (input to L and R)

\* 0 dB = 1 V