



## FUZE WASH Z350™

SKU# FUZ035

The FUZE WASH Z350™ is a single source par moving head luminaire with a 350W Quad Color RGBW COB LED. Features 12° to 53° motorized zoom, pan and tilt, RGBW color mixing, electronic strobe and selectable dimming curve effects, DMX and RDM (remote device management) protocol support, DMX and power in/out connections, LCD menu display with 7 button control panel, multiple unit power linking, flicker free operation for TV and FILM, and a multi-voltage universal auto switching power supply (110-240v).

### FEATURES

**350W RGBW COB LED Moving Head Wash Luminaire**

**RGBW Color Mixing**

**12° to 53° Wide Motorized Zoom Range**

**Variable Dimming Curves**

**Multiple Unit Power Linking**

**RDM (Remote Device Management)**

**Flicker Free Operation for TV and FILM**

**Optional Snoot Lens**



**PRODUCT SPECIFICATIONS**

**SOURCE**

350W RGBW COB LED  
100,000 Hour Average LED Life\*

\*LED Life may vary depending on several factors including but not limited to: Environmental Conditions, Power/Voltage, Usage Patterns (On-Off Cycling), Control and Dimming.

**PHOTOMETRIC DATA**

26,240 LUX 847 FC @9.8' (3m) (12° Full ON)  
1,672 LUX 40 FC @9.8' (3m) (53° Full ON)

**EFFECTS**

RGBW Color Mixing  
10° - 55° Beam Zoom Range  
Electronic Strobe and Variable Dimming Curves  
64 Color Presets and 14 Unique Color Macros

**COLOR**

RGBW

**CONTROL / CONNECTIONS**

4 DMX Channel Modes (19 Total Channels)  
7 Button Control Panel and LCD Menu Display  
RDM (Remote Device Management)  
3pin/5pin DMX and powerCON In/Out

**SIZE / WEIGHT**

Length: 16.3" (414mm)  
Width: 11.6" (294mm)  
Vertical Height: 18.0" (461mm)  
Weight: 43 lbs. (19.5 kg)

**ELECTRICAL / THERMAL**

AC 110-240V - 50/60Hz  
380W Max Power Consumption  
Multiple Unit Power Linking  
5°F to 113°F (-15°C to 45°C)

**INCLUDED ITEMS**

Omega Brackets  
powerCON Power Cable

**APPROVALS / RATINGS**



Optional Snoot Available



**PHOTOMETRIC DATA**

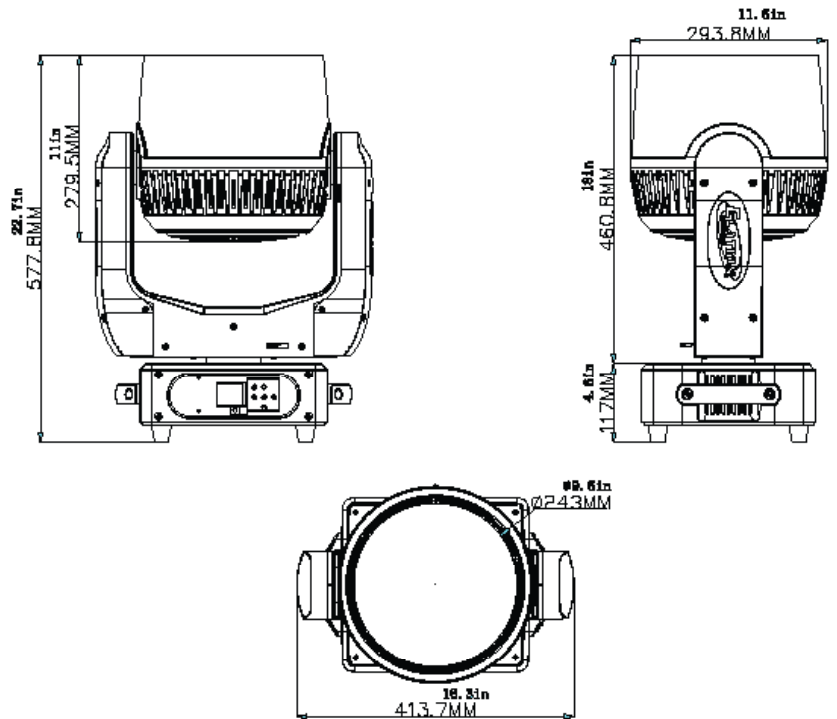
**MIN ZOOM - 12° Beam Diameter**

	3 m	9.8 ft	4 m	13.1 ft	5 m	16.4 ft
12° Beam Diameter	0.56	1.8	0.74	2.4	0.47	1.5
19° Field Diameter	1.04	3.4	1.39	4.6	1.58	5.2
	lux	fc	lux	fc	lux	fc
RED LEDs	4,002	372	2,320	216	1,596	148
GREEN LEDs	9,041	840	5,453	507	3,392	315
BLUE LEDs	2,982	277	1,759	163	1,190	111
WHITE LEDs	14,330	1,331	8,455	785	5,671	527
FULL ON	26,240	2,438	15,760	1,464	10,090	937

**MAX ZOOM - 53° Beam Diameter**

	3 m	9.8 ft	4 m	13.1 ft	5 m	16.4 ft
53° Beam Diameter	3.08	10.1	4.12	13.5	5.16	16.9
57° Field Diameter	3.16	10.4	4.2	13.8	5.24	17.2
	lux	fc	lux	fc	lux	fc
RED LEDs	259	24	163	15	117	11
GREEN LEDs	578	54	353	33	248	23
BLUE LEDs	196	18	124	12	87	8
WHITE LEDs	930	86	563	52	403	37
FULL ON	1,672	155	1,024	95	690	64

**DIMENSIONAL DIAGRAMS**



**OPTIONAL ACCESSORIES**

ORDER CODE	ITEM
FW350SNOOT	FUZE WASH Z350 Snoot
TRIGGER CLAMP	Heavy Duty Wrap Around Hook Style Clamp
AC3PDMX5PRO	5 ft. (1.5m) 3pin PRO DMX Cable (Additional cable lengths available)
AC5PDMX5PRO	5 ft. (1.5m) 5pin PRO DMX Cable (Additional cable lengths available)
PLC3	3 ft. (1m) PowerCON TRUE1 Power Link Cable
*** pending ***	Road Case for FUZE WASH Z350™

Specifications are subject to change without notice ©Elation Professional 09/20/16

