



SNIPER PRO™

SKU# SNI305

The Sniper PRO™ is a new and improved hybrid effects projector, scanner, and laser simulator featuring the new Philips™ MSD Platinum 14R 280W 7,800K 80CRI lamp. Capable of producing the same precise beam and laser like effects as its successful predecessor the Sniper 2R™, however now with 3X the output brightness. This enhanced version with increased speed, brightness, color and effect options, features an improved X / Y / Z rotation mirror system with focus, 12 dichroic colors with split colors, CMY color mixing, 20 static-stamped gobos, bidirectional animation, 3-facet, 8-facet, and linear rotating prisms, liquid sky, laser wave, and cone effects, internal pattern and control macros, 3/5pin DMX and powerCON TRUE1 in/out connections, (4) button control panel, 460W max power consumption, and a multi-voltage universal auto switching power supply (120-240v).



FEATURES

- Hybrid Effects Beam, Scanner, Laser Simulator**
- 280W Phillips™ Platinum 14R 7,800K 80CRI Lamp**
- 2.5° Laser Sharp Beam**
- Improved High-Speed X / Y / Z Mirror System with Focus**
- (12) Dichroic Colors with Split Colors**
- CMY Color Mixing**
- (20) Static-Stamped Gobos**
- Bidirectional Animation**
- 3-Facet, 8-Facet, and Linear Rotating Prisms**
- Liquid Sky, Laser Wave, and Cone Effects**
- Internal Pattern and Control Macros**
- Multi Unit Power Linkable**



ELATION | SNIPER PRO™ | Product Specification Sheet

Specifications are subject to change without notice ©Elation Professional 07/06/16

Elation Professional USA | 6122 S. Eastern Ave. | Los Angeles, CA. 90040
323-582-3322 | 323-832-9142 fax | www.elationlighting.com | info@elationlighting.com

Elation Professional B.V. | Junostraat 2 | 6468 EW Kerkrade, The Netherlands
+31 45 546 85 66 | +31 45 546 85 96 fax | www.elationlighting.eu | info@elationlighting.eu

PRODUCT SPECIFICATIONS

SOURCE

Philips MSD Platinum 14R™ 280W Lamp
2,000 Hour Average Lamp Life*

*LED Life may vary depending on several factors including but not limited to: Environmental Conditions, Power/Voltage, Usage Patterns (On-Off Cycling), Control and Dimming.

PHOTOMETRIC DATA

84,330 LUX 7,834 FC @16.4' (5m)
23,200 LUX 2,155 FC @32.8' (10m)
10,270 LUX 954 FC @49.2' (15m)
5,800 LUX 539 FC @65.6' (20m)
3,700 LUX 344 FC @82.0' (25m)

EFFECTS

Bidirectional Animation
3-Facet, 8-Facet, and Linear Rotating Prisms
Liquid Sky, Laser Wave, and Cone Effects
Pattern and Control Macros

COLOR

(12) Dichroic Colors + White and Split Colors
CMY Color Mixing

GOBOS

(20) Static-Stamped Gobos

CONTROL / CONNECTIONS

(2) DMX Channel Modes (25 / 27)
4 Button Control Panel
LCD Menu Display
3/5pin DMX In/Out
powerCON TRUE1 In/Out (Power Link Multiple Units)

SIZE / WEIGHT

Length: 16.1" (408mm)
Width: 13.9" (353mm)
Vertical Height: 13.8" (351mm)
Weight: 29.0 lbs. (13.2kg)

ELECTRICAL / THERMAL

AC 100-240V - 50/60Hz
460W Max Power Consumption
Multiple Unit Power Linking (max 3 @120V / 7 @230V)
Max Ambient Temperature 104°F (40°C)

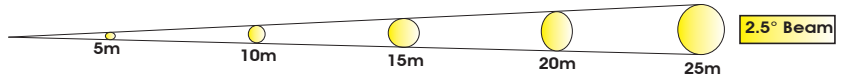
APPROVALS / RATINGS



INCLUDED ITEMS

powerCON TRUE1 Cable

PHOTOMETRIC DATA



Distance	5m	16.4 ft	10m	32.8 ft	15m	49.2 ft	20m	65.6 ft	25m	82.0 ft
Beam Diameter	0.25	0.8	0.49	1.6	0.74	2.4	1.02	3.3	1.26	4.1
	lux	fc	lux	fc	lux	fc	lux	fc	lux	fc
FULL ON	84,330	7,834	23,200	2,155	10,270	954	5,800	539	3,700	344

COLORS AND GOBOS

COLOR WHEEL



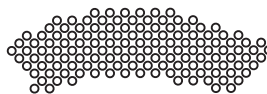
C M Y FILTERS



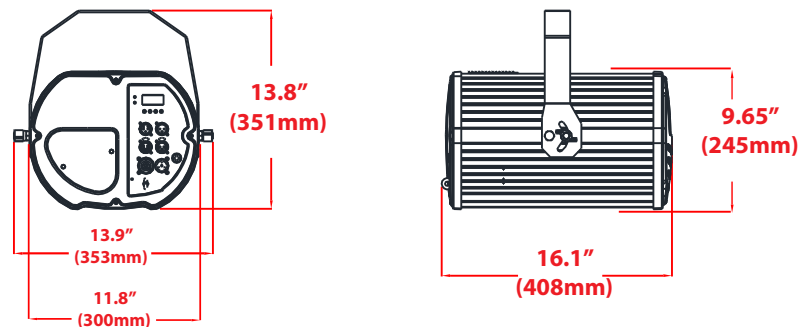
STATIC-STAMPED GOBO WHEEL



BI-DIRECTIONAL ANIMATION WHEEL



DIMENSIONAL DIAGRAM



OPTIONAL ACCESSORIES

ORDER CODE	ITEM
TRIGGER CLAMP	Heavy Duty Wrap Around Hook Style Clamp
AC3PDMX5PRO	5 ft. (1.5m) 3pin PRO DMX Cable
AC5PDMX5PRO	5 ft. (1.5m) 5pin PRO DMX Cable
NEU088	3 ft. (1m) powerCON TRUE1 Power Link Cable
	Additional Cable Lengths Available



Specifications are subject to change without notice ©Elation Professional 07/06/16

Elation Professional USA | 6122 S. Eastern Ave. | Los Angeles, CA. 90040
323-582-3322 | 323-832-9142 fax | www.elationlighting.com | info@elationlighting.com

Elation Professional B.V. | Junostraat 2 | 6468 EW Kerkrade, The Netherlands
+31 45 546 85 66 | +31 45 546 85 96 fax | www.elationlighting.eu | info@elationlighting.eu