

ZW37™
user manual

©2015 **ELATION PROFESSIONAL** all rights reserved. Information, specifications, diagrams, images, and instructions herein are subject to change without notice. ELATION PROFESSIONAL logo and identifying product names and numbers herein are trademarks of ELATION PROFESSIONAL. Copyright protection claimed includes all forms and matters of copyrightable materials and information now allowed by statutory or judicial law or hereinafter granted. Product names used in this document may be trademarks or registered trademarks of their respective companies and are hereby acknowledged. All non-ELATION brands and product names are trademarks or registered trademarks of their respective companies.

ELATION PROFESSIONAL and all affiliated companies hereby disclaim any and all liabilities for property, equipment, building, and electrical damages, injuries to any persons, and direct or indirect economic loss associated with the use or reliance of any information contained within this document, and/or as a result of the improper, unsafe, insufficient and negligent assembly, installation, rigging, and operation of this product.

Elation Professional USA | 6122 S. Eastern Ave. | Los Angeles, CA. 90040

323-582-3322 | 323-832-9142 fax | www.elationlighting.com | info@elationlighting.com

Elation Professional B.V. | Junostraat 2 | 6468 EW Kerkrade, The Netherlands

+31 45 546 85 66 | +31 45 546 85 96 fax | www.elationlighting.eu | info@elationlighting.eu

DOCUMENT VERSION

Date	Document Version	Software Version	DMX Channel Modes	Notes
01/14/16	1	≥ CPU-A V1.0 B1.1 ≥ CPU-B V1.0 B1.1 ≥ CPU-C V1.0 B1.1	14 / 22 / 42	Initial release.

C O N T E N T S

General Information	4
Warranty	6
Safety Instructions	7
General Guidelines	8
Control and Connections	9
Fixture Installation	10
Fixture Menu	13
DMX Channel Functions And Values	17
Cleaning and Maintenance	21
Technical Specifications	22
Optional Accessories	25

GENERAL INFORMATION

INTRODUCTION

Congratulations, you have just purchased one of the most innovative and reliable lighting fixtures on the market today! This fixture has been designed to perform reliably for years when the guidelines in this booklet are followed. Please read and understand the instructions in this manual carefully and thoroughly before attempting to operate this unit. These instructions contain important information regarding safety during use and maintenance.

UNPACKING

Every fixture has been thoroughly tested and has been shipped in perfect operating condition. Carefully check the shipping carton for damage that may have occurred during shipping. If the carton appears to be damaged, carefully inspect your unit for damage and be sure all accessories necessary to operate the unit have arrived intact. In the event damage has been found or parts are missing, please contact our customer support team for further instructions. Please do not return this unit to your dealer without first contacting customer support at the number listed below. Please do not discard the shipping carton in the trash. Please recycle whenever possible.

BOX CONTENTS

- (1) Omega Brackets
- (1) powerCON Cable

CUSTOMER SUPPORT

Elation Professional® provides a customer support line, to provide set up help and to answer any question should you encounter problems during your set up or initial operation. You may also visit us on the web at www.elationlighting.com for any comments or suggestions. For service related issue please contact Elation Professional®.

ELATION SERVICE USA - Monday - Friday 8:00am to 5:00pm PST

Voice: 323-582-3322

Fax: 323-832-9142

E-mail: support@elationlighting.com

ELATION SERVICE EUROPE - Monday - Friday 08:30 to 17:00 CET

Voice: +31 45 546 85 30

Fax: +31 45 546 85 96

E-mail: support@elationlighting.eu

WARRANTY REGISTRATION

Please complete and mail in the enclosed warranty card or register online: <http://www.elationlighting.com/Login.aspx> to validate your purchase. All returned service items whether under warranty or not, must be freight pre-paid and accompany a return authorization (R.A.) number. The R.A. number must be clearly written on the outside of the return package. A brief description of the problem as well as the R.A. number must also be written down on a piece of paper and included in the shipping container. If the unit is under warranty, you must provide a copy of your proof of purchase invoice. Items returned without a R.A. number clearly marked on the outside of the package will be refused and returned at customer's expense. You may obtain a R.A. number by contacting customer support at 323-582-3322.

IMPORTANT NOTICE!

There are no user serviceable parts inside this unit. Do not attempt any repairs yourself; doing so will void your manufactures warranty. Damages resulting from modifications to this fixture and/or the disregard of safety and general user instructions found in this user manual void the manufactures warranty and are not subject to any warranty claims and/or repairs.

LIMITED WARRANTY

A. Elation Professional® hereby warrants, to the original purchaser, Elation Professional® products to be free of manufacturing defects in material and workmanship for a period of two years (730 days), and Elation Professional® product rechargeable batteries to be free of manufacturing defects in material and workmanship for a period of six months (180 days), from the original date of purchase. This warranty excludes discharge lamps and all product accessories. This warranty shall be valid only if the product is purchased within the United States of America, including possessions and territories. It is the owner's responsibility to establish the date and place of purchase by acceptable evidence, at the time service is sought.

B. For warranty service, send the product only to the Elation Professional® factory. All shipping charges must be pre-paid. If the requested repairs or service (including parts replacement) are within the terms of this warranty, Elation Professional® will pay return shipping charges only to a designated point within the United States. If any product is sent, it must be shipped in its original package and packaging material. No accessories should be shipped with the product. If any accessories are shipped with the product, Elation Professional® shall have no liability what so ever for loss and/or or damage to any such accessories, nor for the safe return thereof.

C. This warranty is void if the product serial number and/or labels are altered or removed; if the product is modified in any manner which Elation Professional® concludes, after inspection, affects the reliability of the product; if the product has been repaired or serviced by anyone other than the Elation Professional® factory unless prior written authorization was issued to purchaser by Elation Professional®; if the product is damaged because not properly maintained as set forth in the product instructions, guidelines and/or user manual.

D. This is not a service contract, and this warranty does not include any maintenance, cleaning or periodic check-up. During the periods as specified above, Elation Professional® will replace defective parts at its expense, and will absorb all expenses for warranty service and repair labor by reason of defects in material or workmanship. The sole responsibility of Elation Professional® under this warranty shall be limited to the repair of the product, or replacement thereof, including parts, at the sole discretion of Elation Professional®. All products covered by this warranty were manufactured after January 1, 1990, and bare identifying marks to that effect.

E. Elation Professional® reserves the right to make changes in design and/or performance improvements upon its products without any obligation to include these changes in any products theretofore manufactured.

F. No warranty, whether expressed or implied, is given or made with respect to any accessory supplied with the products described above. Except to the extent prohibited by applicable law, all implied warranties made by Elation Professional® in connection with this product, including warranties of merchantability or fitness, are limited in duration to the warranty periods set forth above. And no warranties, whether expressed or implied, including warranties of merchantability or fitness, shall apply to this product after said periods have expired. The consumer's and/or dealer's sole remedy shall be such repair or replacement as is expressly provided above; and under no circumstances shall Elation Professional® be liable for any loss and/or damage, direct and/or consequential, arising out of the use of, and/or the inability to use, this product.

G. This warranty is the only written warranty applicable to Elation Professional® products and supersedes all prior warranties and written descriptions of warranty terms and conditions heretofore published.

SAFETY INSTRUCTIONS



This fixture is an extremely sophisticated piece of electronic equipment. To guarantee a smooth operation, it is important to follow the guidelines in this manual. The manufacturer of this device will not accept responsibility for damages resulting from the misuse of this fixture due to the disregard of the information printed in this manual.



This device falls under **PROTECTION CLASS 1**. It's essential this device be grounded properly. Only qualified personnel should perform all electrical connections.



I N D O O R S U S E O N L Y !
DO NOT EXPOSE FIXTURE RAIN AND MOISTURE!



UNPLUG POWER BEFORE SERVICING FIXTURE!
DO NOT PLUG FIXTURE INTO A DIMMER PACK!
NEVER TOUCH FIXTURE DURING OPERATION, AS IT MAY BE HOT!



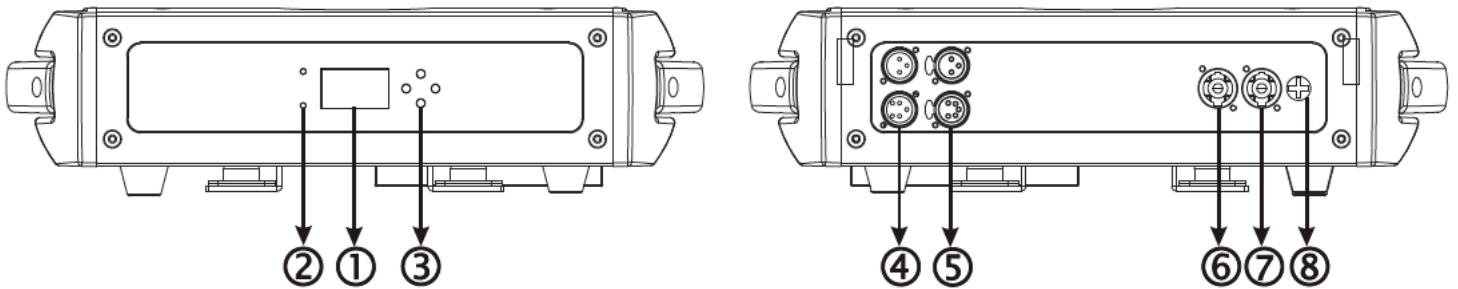
NEVER LOOK DIRECTLY INTO THE LIGHT SOURCE!
SENSITIVE PERSONS MAY SUFFER AN EPILEPTIC SHOCK!

- For proper operation, follow the **Installation** guidelines described in this manual. Only qualified and certified personnel should perform installation of this fixture and only the original rigging parts (brackets) included with this fixture should be used for installation. Any modifications will void the original manufacturer's warranty and increase the risk of damage and/or personal injury.
- Never look directly into the light source of this fixture to prevent risk of injury to your retina, which may induce blindness. Those suffering from **EPILEPSY** should avoid looking directly into the light source of this unit at all times.
- The fan and air inlets must remain clean and never blocked. Allow approx. 6" (15cm) between this fixture and other devices or a wall for proper cooling.
- Always disconnect from main power source before performing any type of service and/or cleaning procedure. Only handle the power cord by the plug end, never pull out the plug by tugging the wire portion of the cord.
- Do not operate this fixture if the power cord has become frayed, crimped and/or damaged. If the power cord is damaged, replace it immediately with a new one of similar power rating.

GENERAL GUIDELINES

- **NEVER OPEN THIS FIXTURE WHILE IN USE!**
- During the initial operation of this fixture, a light smoke or smell may emit from the interior of the fixture. This is a normal process and is caused by excess paint in the interior of the casing burning off from the heat associated with the lamp and will decrease gradually over time.
- This fixture is a professional lighting effect designed for **INDOOR / DRY LOCATIONS ONLY** on stage, in nightclubs, theatres, etc.
- Please make sure there are **NO FLAMMABLE MATERIALS** close to the fixture while operating, to prevent any fire hazard.
- **Minimum** distance of inflammable materials from the surface **1.6 feet (0.5m)**.
- The fixture must be installed in a location with adequate ventilation, at least 1.5 feet (.5m) from adjacent surfaces. Be sure no air ventilation slots are blocked.
- **DO NOT** attempt installation and/or operation without knowledge how to do so.
- **DO NOT** allow operation by persons who are not qualified to operate this type of fixture. Most damages are the result of operations by nonprofessionals.
- Consistent operational breaks may ensure the fixture will function properly for many years to come.
- **DO NOT** shake fixture, avoid brute force when installing and/or operating fixture.
- Always install the fixture with an appropriate safety cable. When installing the fixture in a suspended environment, always use mounting hardware that is no less than M10 x 25 mm, also be sure the hardware is insert in the pre-arranged screw holes in the bracket of the fixture.
- Use the original packaging and materials to transport the fixture in for service.
- **DO NOT TOUCH** the housing bare-hand during its operation. Turn OFF the power and allow approximately 15 minutes for the fixture to cool down before replacing or serving.

CONTROL AND CONNECTIONS



1. LCD Menu Function Display
2. LED Indicators
3. MENU, UP, DOWN, ENTER Buttons
4. 3pin and 5pin DMX IN
5. 3pin and 5pin DMX OUT
6. powerCON IN
7. powerCON OUT
8. Fuse

INSTALLATION



FLAMMABLE MATERIAL WARNING

Keep fixture at least 5.0 ft (1.5m) away from any flammable materials, decorations, pyrotechnics, etc.



ELECTRICAL CONNECTIONS

A qualified electrician should be used for all electrical connections and/or installations.

CAUTIONS

- For added protection, mount the fixture in areas outside walking paths, seating areas, or in areas where unauthorized personnel might reach the fixture.
- Maximum ambient operating temperature for this fixture is **104°F (40°C)**. Do not use the fixture under or above this temperature.
- Before mounting the fixture to any surface, make sure the installation area can hold a minimum point load of 10 times the weight of the fixture.
- Fixture installation must always be secured with a secondary safety attachment, such as an appropriate safety cable.
- Never stand directly below the device when mounting, removing or servicing.

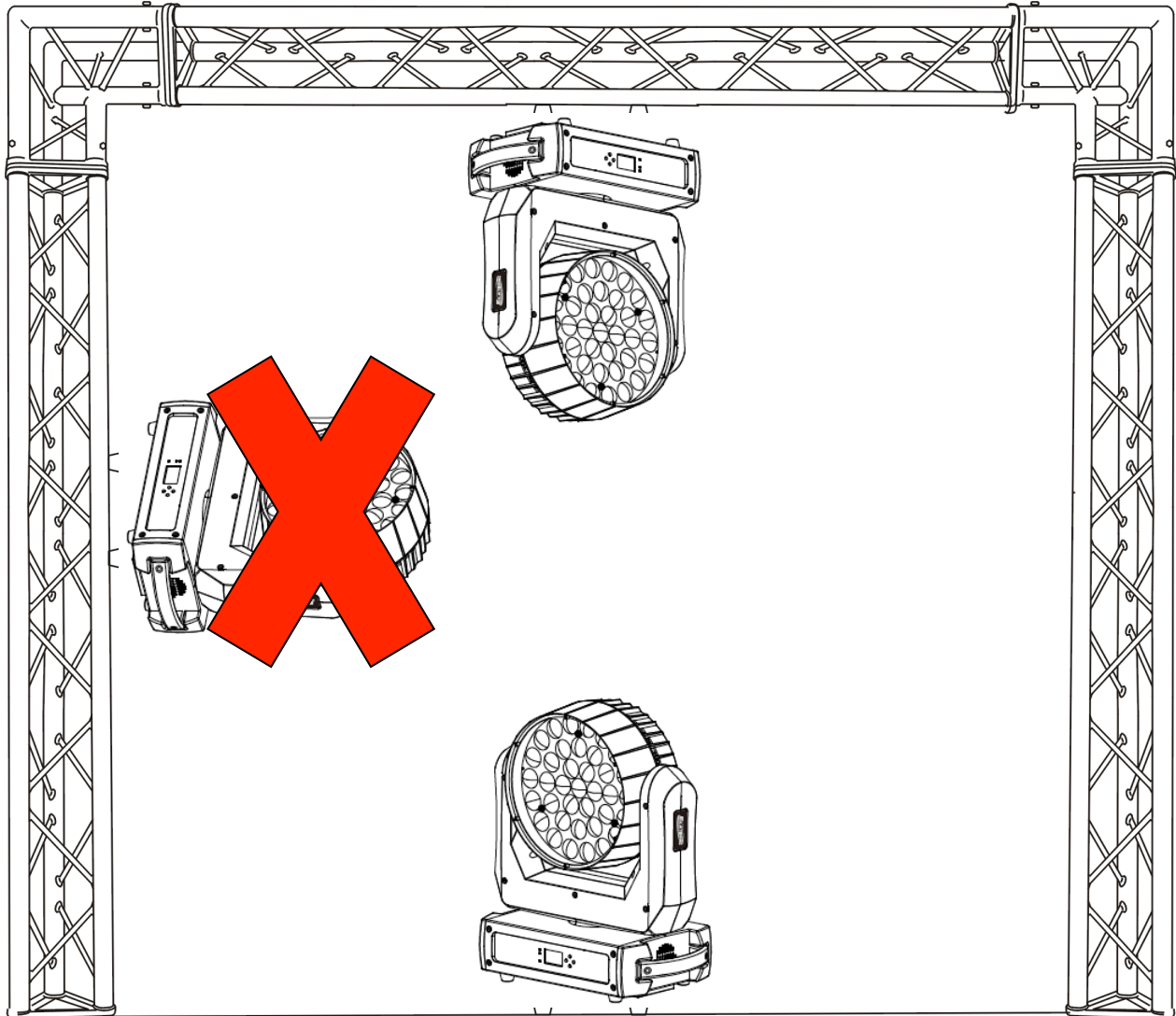


POWER LINKING

Max number of units that can be power linked is **3 units @120V** and **6 units @230V**.

MOUNTING POINTS

- Overhead mounting requires extensive experience, including amongst others calculating working load limits, installation material being used, and periodic safety inspection of all installation material and the device. If you lack these qualifications, do not attempt the installation yourself. Improper installation can result in bodily injury.
- Fixture is fully operational in the specific mounting positions as illustrated below.

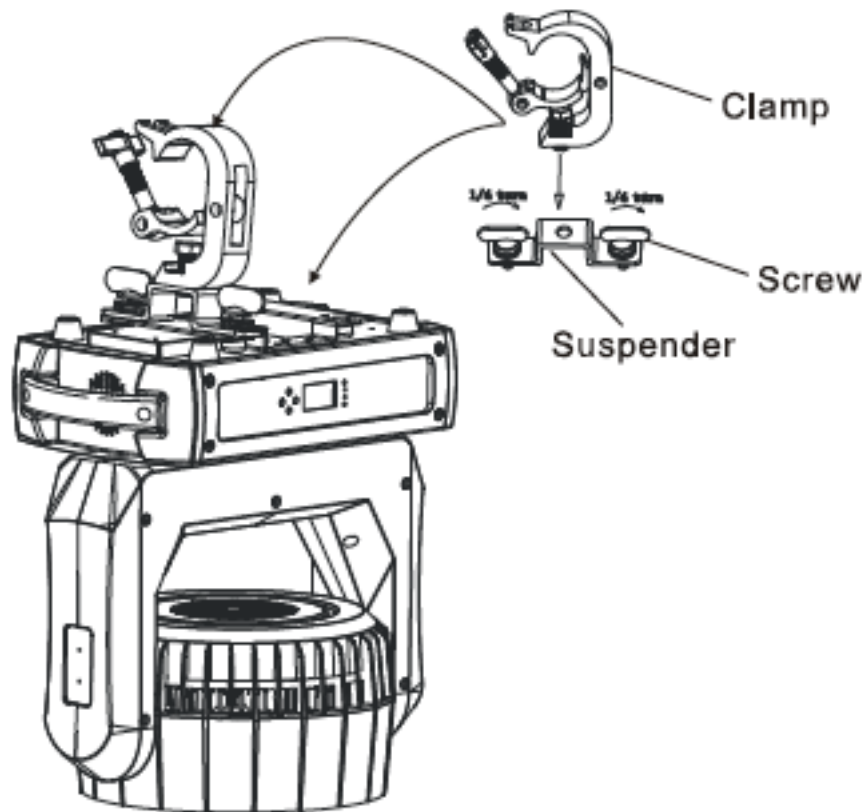


SAFETY CABLE

ALWAYS USE A SAFETY CABLE WHENEVER INSTALLING THIS FIXTURE IN A SUSPENDED ENVIRONMENT TO ENSURE THE FIXTURE WILL NOT DROP IF THE CLAMP FAILS.

CLAMP MOUNTING

The fixture provides a unique mounting bracket assembly that integrates to the bottom of the base, the included **Omega Brackets (x2)** and safety cable rigging point in one unit (see the illustration below). When mounting this fixture to truss make sure to secure appropriately rated clamps to the included **Omega Brackets (x2)**. Be sure to attach an appropriate **Safety Cable** to the fixture using the safety cable rigging point integrated in the base assembly.



SECURING

Regardless of the rigging option you choose for your fixture, always be sure to secure your fixture with a safety cable. The fixture provides a built-in rigging point for a safety cable on the hanging bracket as illustrated above. Be sure to only use the designated rigging point for the safety cable and never secure a safety cable to a carrying handle.

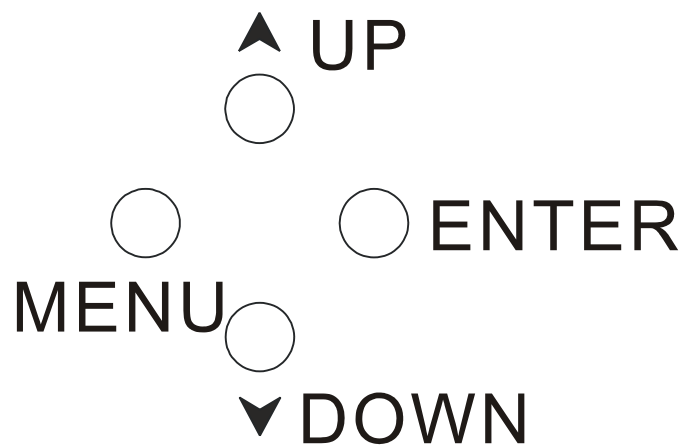
FIXTURE MENU

ON-BOARD SYSTEM MENU

The fixture comes with an easy to navigate system menu. The next section will detail the functions of each command in the system menu.

LCD MENU CONTROL PANEL

The control panel located on front of the fixture allows you to access the main system menu and make all necessary adjustments to the fixture. During normal operation, pressing **MENU** button once will access the fixture's main menu. Once in the main menu you can navigate through the different functions and access the sub-menus with the **UP** and **LEFT** buttons. Once you reach a field that requires adjusting, press the **ENTER** button to activate that field and use the **UP** and **DOWN** buttons to adjust the field. Pressing the **ENTER** button once more will confirm your setting. You may exit the main menu at any time without making any adjustments by pressing the **MENU** button.

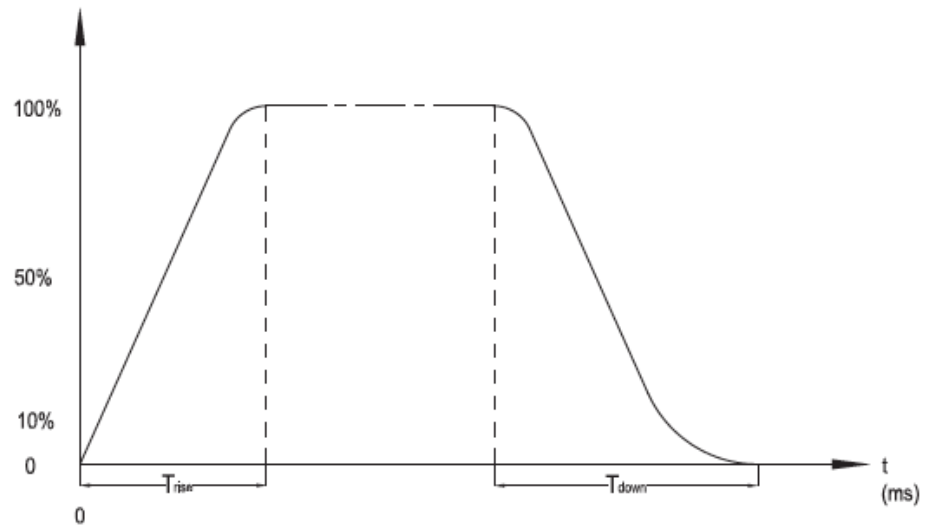


ELATION® ZW37™ SYSTEM MENU		
Features subject to change without any prior written notice.		
MENU	OPTIONS / VALUES <small>Default Settings in BOLD</small>	DESCRIPTION
DMX Address	001 - 512	Set DMX Address Setting
Channel Mode	Mode 1 (14), Mode 2 (22), Mode 3 (42)	Select DMX Channel Mode
Dimmer Curve	Standard , Stage, TV, Architec, Theatre	Set Dimming Curve
Dmx Last State	Blackout , Last State	Select how fixture reacts to NO DMX signal
Pan Invert	No , Yes	Invert Pan Movement
Tilt Invert	No , Yes	Invert Tilt Movement
Backlight Auto Off	No , Yes	Turn LCD Display Back Light On/Off
Function Delay	0s Delay, 1s Delay, 2s Delay, 3s Delay	Set time before LCD display turns off after no action
White Balance	Red	125 - 255
	Green	125 - 255
	Blue	125 - 255
Manual Test	Pan	000 - 255
	Pan Fine	000 - 255
	Tilt	000 - 255
	Tilt Fine	000 - 255
	Red	000 - 255
	Red Fine	000 - 255
	Green	000 - 255
	Green Fine	000 - 255
	Blue	000 - 255
	White	000 - 255
	White Fine	000 - 255
	Color	000 - 255
	Red 2	000 - 255
	Red Fine 2	000 - 255
	Green 2	000 - 255
	Green Fine 2	000 - 255
	Blue 2	000 - 255
	White 2	000 - 255
	White Fine 2	000 - 255
	Color 2	000 - 255
	Red 3	000 - 255
	Red Fine 3	000 - 255
	Green 3	000 - 255
	Green Fine 3	000 - 255
	Blue 3	000 - 255
	White 3	000 - 255
	White Fine 3	000 - 255
	Color 3	000 - 255
	Color Macro	000 - 255
	Color Macro Spe	000 - 255
	CTC	000 - 255
	Shutter	000 - 255
	Dimmer	000 - 255
Dimmer Fine	000 - 255	
Dimmer Mode	000 - 255	
Zoom	000 - 255	
Zoom Fine	000 - 255	
P/T Speed	000 - 255	
Special Function	000 - 255	
		Manual Adjustment of Features

ELATION® ZW37™ SYSTEM MENU		
Features subject to change without any prior written notice.		
MENU	OPTIONS / VALUES <small>Default Settings in BOLD</small>	DESCRIPTION
Auto Test		Run self-test program
Fixture use time		Display total use time of fixture
Firmware Version	CPU-A V1.0 B1.1 CPU-B V1.0 B1.1 CPU-C V1.0 B1.1	Display software version of fixture
PRO defaults	No , Yes	Reset PRO Defaults
Reset	No , Yes	Reset to factory default settings

Dimmer Modes

Select desired DIMMER MODE (Standard, Stage, TV, Architectural, Theatre).



Ramp Effect	0 255 OS (Fade Time)		0 255 1S (Fade Time)	
	T_{rise} (ms)	T_{down} (ms)	T_{rise} (ms)	T_{down} (ms)
Standard	0	0	0	0
Stage	780	1100	1540	1660
TV	1180	1520	1860	1940
Architectural	1380	1730	2040	2120
Theatre	1580	1940	2230	2280

ELATION® ZW37™ OFFSET ADJUST MENU		
Specifications are subject to change without any prior written notice.		
MENU	OPTIONS / VALUES <small>Default Settings in BOLD.</small>	DESCRIPTION
Pan Offset	(-128) - 0 - (127)	Adjust PAN Home Position
Tilt Offset	(-128) - 0 - (127)	Adjust TILT Home Position
Zoom	0 - 255	Adjust Zoom Position

OFFSET ADJUST MENU – Calibration



ONLY QUALIFIED TECHNICIANS SHOULD PERFORM THESE FUNCTIONS.

This menu allows small adjustments to be made to the **PAN**, **TILT**, and **ZOOM** home positions, to compensate for wear and/or in the event a sensor has been knocked slightly out of place.

To access the **OFFSET ADJUST MENU** press and release the **MENU** button, then press the **ENTER** button for at least 3 seconds, and the fixture will now be in the **OFFSET MENU**. Press the **UP** or **DOWN** buttons to select **Pan**, **Tilt**, or **Zoom** then press **ENTER**.

Use the **UP** and **DOWN** buttons to adjust the home position of the selected function (**Pan**, **Tilt**, **Zoom**). Once the desired new home position has been set, press the **ENTER** button to save the new position.

To exit the **OFFSET MENU** press and hold the **MENU** button for at least 1 second.

DMX CHANNEL FUNCTIONS AND VALUES

ELATION® ZW37™				
DMX Channel Values / Functions (42 DMX Channels)				
Specifications are subject to change without any prior written notice.				
DMX MODE / CHANNEL			VALUE	FUNCTION
MODE 1 (14)	MODE 2 (22)	MODE 3 (42)		
1	1	1		PAN
			0-255	0° - 540°
	2	2		PAN FINE
			0-255	PAN FINE Adjustment
2	3	3		TILT
			0-255	0° - 220°
	4	4		TILT FINE
			0-255	TILT FINE Adjustment
3	5			RED [ALL LEDS]
			0-255	Red (0-100%)
	6			RED FINE [ALL LEDS]
			0-256	Red FINE (0-100%)
4	7			GREEN [ALL LEDS]
			0-255	Green (0-100%)
	8			GREEN FINE [ALL LEDS]
			0-256	Green FINE (0-100%)
5	9			BLUE [ALL LEDS]
			0-255	Blue (0-100%)
	10			BLUE FINE [ALL LEDS]
			0-256	Blue FINE (0-100%)
6	11			WHITE [ALL LEDS]
			0-255	White (0-100%)
	12			WHITE FINE [ALL LEDS]
			0-256	White FINE (0-100%)

DMX MODE / CHANNEL			VALUE	FUNCTION
MODE 1 (14)	MODE 2 (22)	MODE 3 (42)		
7	13			COLOR MACROS [ALL LEDS]
		0	Blackout	
		1-4	COLOR 1	
		5-8	COLOR 2	
		9-12	COLOR 3	
		13-16	COLOR 4	
		17-20	COLOR 5	
		21-24	COLOR 6	
		25-28	COLOR 7	
		29-32	COLOR 8	
		33-36	COLOR 9	
		37-40	COLOR 10	
		41-44	COLOR 11	
		45-48	COLOR 12	
		49-52	COLOR 13	
		53-56	COLOR 14	
		57-60	COLOR 15	
		61-64	COLOR 16	
		65-68	COLOR 17	
		69-72	COLOR 18	
		73-76	COLOR 19	
		77-80	COLOR 20	
		81-84	COLOR 21	
		85-88	COLOR 22	
		89-92	COLOR 23	
		93-96	COLOR 24	
		97-100	COLOR 25	
		101-104	COLOR 26	
		105-108	COLOR 27	
		109-112	COLOR 28	
		113-116	COLOR 29	
		117-120	COLOR 30	
		121-124	COLOR 31	
125-128	COLOR 32			

DMX MODE / CHANNEL			VALUE	FUNCTION
MODE 1 (14)	MODE 2 (22)	MODE 3 (42)		
7	13			COLOR MACROS [ALL LEDS] continued
		129-132	COLOR 33	
		133-136	COLOR 34	
		137-140	COLOR 35	
		141-144	COLOR 36	
		145-148	COLOR 37	
		149-152	COLOR 38	
		153-156	COLOR 39	
		157-160	COLOR 40	
		161-164	COLOR 41	
		165-168	COLOR 42	
		169-172	COLOR 43	
		173-176	COLOR 44	
		177-180	COLOR 45	
		181-184	COLOR 46	
		185-188	COLOR 47	
		189-192	COLOR 48	
		193-196	COLOR 49	
		197-200	COLOR 50	
		201-204	COLOR 51	
		205-208	COLOR 52	
		209-212	COLOR 53	
		213-216	COLOR 54	
		217-220	COLOR 55	
		221-224	COLOR 56	
		225-228	COLOR 57	
		229-232	COLOR 58	
		233-236	COLOR 59	
		237-240	COLOR 60	
		241-244	COLOR 61	
		245-248	COLOR 62	
		249-252	COLOR 63	
253-255	COLOR 64			

DMX MODE / CHANNEL			VALUE	FUNCTION
MODE 1 (14)	MODE 2 (22)	MODE 3 (42)		
		5	0-255	RED [LED GROUP 1] Red (0-100%)
		6	0-255	RED FINE [LED GROUP 1] Red FINE Adjustment
		7	0-255	GREEN [LED GROUP 1] Green (0-100%)
		8	0-255	GREEN FINE [LED GROUP 1] Green FINE Adjustment
		9	0-255	BLUE [LED GROUP 1] Blue (0-100%)
		10	0-255	BLUE FINE [LED GROUP 1] Blue FINE Adjustment
		11	0-255	WHITE [LED GROUP 1] White (0-100%)
		12	0-255	WHITE FINE [LED GROUP 1] White FINE Adjustment
		13		COLOR MACROS [LED GROUP 1]
			0-9	OPEN
			10-17	COLOR 1
			18-24	COLOR 2
			25-32	COLOR 3
			33-39	COLOR 4
			40-47	COLOR 5
			48-54	COLOR 6
			55-61	COLOR 7
			62-69	COLOR 8
			70-76	COLOR 9
			77-84	COLOR 10
			85-91	COLOR 11
			92-99	COLOR 12
			100-106	COLOR 13
			107-113	COLOR 14
			114-121	COLOR 15
			122-128	COLOR 16
			129-136	COLOR 17
			137-143	COLOR 18
			144-151	COLOR 19
			152-158	COLOR 20
			159-165	COLOR 21
		166-173	COLOR 22	
		174-180	COLOR 23	
		181-188	COLOR 24	
		189-195	COLOR 25	
		196-203	COLOR 26	
		204-210	COLOR 27	
		211-217	COLOR 28	
		218-225	COLOR 29	
		226-232	COLOR 30	
		233-240	COLOR 31	
		241-247	COLOR 32	
		248-255	COLOR 33	

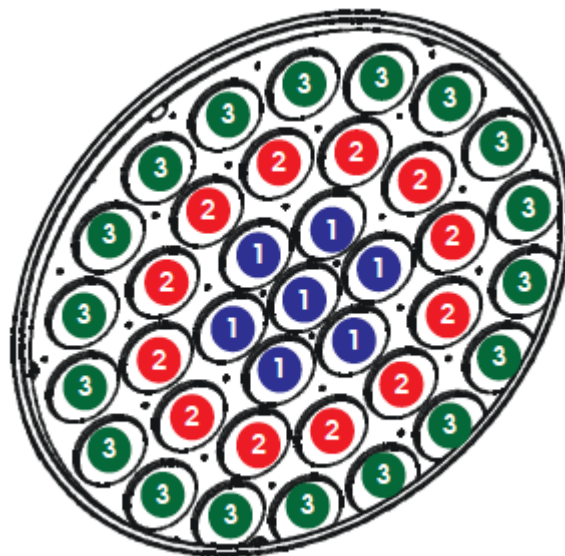
DMX MODE / CHANNEL			VALUE	FUNCTION
MODE 1 (14)	MODE 2 (22)	MODE 3 (42)		
		14		RED [LED GROUP 2]
			0-255	Red (0-100%)
		15		RED FINE [LED GROUP 2]
			0-255	Red FINE Adjustment
		16		GREEN [LED GROUP 2]
			0-255	Green (0-100%)
		17		GREEN FINE [LED GROUP 2]
			0-255	Green FINE Adjustment
		18		BLUE [LED GROUP 2]
			0-255	Blue (0-100%)
		19		BLUE FINE [LED GROUP 2]
			0-255	Blue FINE Adjustment
		20		WHITE [LED GROUP 2]
			0-255	White (0-100%)
		21		WHITE FINE [LED GROUP 2]
			0-255	White FINE Adjustment
		22		COLOR MACROS [LED GROUP 2]
			0-9	OPEN
			10-17	COLOR 1
			18-24	COLOR 2
			25-32	COLOR 3
			33-39	COLOR 4
			40-47	COLOR 5
			48-54	COLOR 6
			55-61	COLOR 7
			62-69	COLOR 8
			70-76	COLOR 9
			77-84	COLOR 10
			85-91	COLOR 11
			92-99	COLOR 12
			100-106	COLOR 13
			107-113	COLOR 14
			114-121	COLOR 15
			122-128	COLOR 16
			129-136	COLOR 17
			137-143	COLOR 18
			144-151	COLOR 19
			152-158	COLOR 20
			159-165	COLOR 21
			166-173	COLOR 22
			174-180	COLOR 23
			181-188	COLOR 24
			189-195	COLOR 25
			196-203	COLOR 26
			204-210	COLOR 27
			211-217	COLOR 28
			218-225	COLOR 29
			226-232	COLOR 30
			233-240	COLOR 31
		241-247	COLOR 32	
		248-255	COLOR 33	

DMX MODE / CHANNEL			VALUE	FUNCTION
MODE 1 (14)	MODE 2 (22)	MODE 3 (42)		
		23		RED [LED GROUP 3]
			0-255	Red (0-100%)
		24		RED FINE [LED GROUP 3]
			0-255	Red FINE Adjustment
		25		GREEN [LED GROUP 3]
			0-255	Green (0-100%)
		26		GREEN FINE [LED GROUP 3]
			0-255	Green FINE Adjustment
		27		BLUE [LED GROUP 3]
			0-255	Blue (0-100%)
		28		BLUE FINE [LED GROUP 3]
			0-255	Blue FINE Adjustment
		29		WHITE [LED GROUP 3]
			0-255	White (0-100%)
		30		WHITE FINE [LED GROUP 3]
			0-255	White FINE Adjustment
		31		COLOR MACROS [LED GROUP 3]
			0-9	OPEN
			10-17	COLOR 1
			18-24	COLOR 2
			25-32	COLOR 3
			33-39	COLOR 4
			40-47	COLOR 5
			48-54	COLOR 6
			55-61	COLOR 7
			62-69	COLOR 8
			70-76	COLOR 9
			77-84	COLOR 10
			85-91	COLOR 11
			92-99	COLOR 12
			100-106	COLOR 13
			107-113	COLOR 14
			114-121	COLOR 15
			122-128	COLOR 16
			129-136	COLOR 17
			137-143	COLOR 18
			144-151	COLOR 19
			152-158	COLOR 20
			159-165	COLOR 21
			166-173	COLOR 22
			174-180	COLOR 23
			181-188	COLOR 24
			189-195	COLOR 25
			196-203	COLOR 26
			204-210	COLOR 27
			211-217	COLOR 28
			218-225	COLOR 29
			226-232	COLOR 30
			233-240	COLOR 31
		241-247	COLOR 32	
		248-255	COLOR 33	

DMX MODE / CHANNEL			VALUE	FUNCTION
MODE 1 (14)	MODE 2 (22)	MODE 3 (42)		
				MACROS [LED GROUPS 1-3]
			0-7	Blackout
			8-22	Macro 01
			23-37	Macro 02
			38-52	Macro 03
			53-67	Macro 04
			68-82	Macro 05
			83-97	Macro 06
			98-112	Macro 07
			113-127	Macro 08
			128-142	Macro 09
			143-157	Macro 10
			158-172	Macro 11
			173-187	Macro 12
			188-202	Macro 13
			203-217	Macro 14
			218-232	Macro 15
			233-247	Macro 16
			248-255	Macro 17
				MACRO SPEED [LED GROUPS 1-3]
			0-255	SLOW to FAST
				VARIABLE WHITE
8	14		0-255	1=2700K, 255=6,000K
				SHUTTER / STROBE
			0-19	BLACKOUT
			20-24	OPEN
			25-64	Strobe SLOW to FAST
			65-69	OPEN
			70-84	Pulse SLOW Open - FAST Close
			85-89	OPEN
			90-104	Pulse FAST Open - SLOW Close
			105-109	OPEN
			110-124	Random Strobe
			125-129	OPEN
			130-144	Random Opening Pulse
			145-149	OPEN
			150-164	Random Closing Pulse
			165-169	OPEN
			170-184	Burst Pulse
			185-189	OPEN
			190-204	Random Burst Pulse
			205-209	OPEN
			210-224	Pulsing
			225-229	OPEN
			230-244	Burst
			245-255	OPEN

DMX MODE / CHANNEL			VALUE	FUNCTION
MODE 1 (14)	MODE 2 (22)	MODE 3 (42)		
10	16	36		MASTER DIMMER
			0-255	Dimmer (0-100%)
	17	37		DIMMER FINE (16bit)
			0-256	Dimmer FINE (0-100%)
11	18	38		DIMMING CURVE MODES
			0-20	Standard
			21-40	Stage
			41-60	TV
			61-80	Architectural
			81-100	Theatre
		101-255	Default to unit setting	
12	19	39		ZOOM
			0-255	10° NARROW to 60° WIDE
	20	40		ZOOM FINE
			0-255	ZOOM FINE Adjustment
13	21	41		PAN / TILT MOVEMENT SPEED
			0-255	PAN / TILT Movement Speed FAST - SLOW
14	22	42		SPECIAL FUNCTIONS
			0-69	NO FUNCTION
			70-79	Blackout While Pan/Tilt Movement = ON*
			80-89	Blackout While Pan/Tilt Movement = OFF (DEFAULT)*
			90-99	Blackout When RGBW Values Change = ON*
			100-199	Blackout When RGBW Values Change = OFF (DEFAULT)*
			200-209	Reset ALL
			210-255	NO FUNCTION
				*NOTE: Blackout settings SAVED from any DMX mode.

LED GROUPS [1 - 3]



CLEANING AND MAINTENANCE



C A U T I O N

Disconnect power before cleaning or maintenance.

CLEANING

Frequent cleaning is recommended to insure proper function, optimized light output, and an extended life. The frequency of cleaning depends on the environment in which the fixture operates: damp, smoky or particularly dirty environments can cause greater accumulation of dirt on the fixture's optics.

- Clean the external lens surface at least every 20 days with a soft cloth to avoid dirt/debris accumulation. Never use alcohol, solvents, or ammonia based cleaners.

MAINTENANCE

Regular inspections are recommended to insure proper function and extended life. There are no user serviceable parts inside this fixture, please refer all other service issues to an authorized Elation service technician. Should you need any spare parts, please order genuine parts from your local Elation dealer.

Please refer to the following points during routine inspections:

- A detailed electric check by an approved electrical engineer every 3 months, to make sure the circuit contacts are in good condition and prevent overheating.
- Be sure all screws and fasteners are securely tightened at all times. Loose screws may fall out during normal operation resulting in damage or injury.
- Check for any deformations on the housing, color lenses, rigging hardware and rigging points (ceiling, suspension, trussing). Deformations in the housing could allow for dust to enter into the fixture. Damaged rigging points or unsecured rigging could cause the fixture to fall and seriously injure a person(s).
- Inspect all moving parts and make sure there are no signs of wear and rotate/move without imbalances.
- Electric power supply cables must not show any damage, material fatigue or sediments. Never remove the ground prong from the power cable.

TECHNICAL SPECIFICATIONS

SOURCE

(37) 15W RGBW 4-in-1 LEDs
50,000 Hour Average LED Life*

*LED Life may vary depending on several factors including but not limited to: Environmental Conditions, Power/Voltage, Usage Patterns (On-Off Cycling), Control, and Dimming.

EFFECTS

(64) Color Macros
Motorized Zoom: 10° - 60°
Electronic Dimming: 0% - 100%
Strobe and Selectable Dimming Curves

COLOR

RGBW Color Mixing

CONTROL / CONNECTIONS

(3) DMX Channel Modes (14 / 22 / 42)
4 Button Touch Control Panel
Pan: 540° / Tilt: 220°
Pan/Tilt Inverse Mode
180° Reversible LCD Menu Display
16-Bit Fine Resolution Adjustable Movement
3pin/5pin DMX In/Out
powerCON Power In/Out
Power Link Up To (3) Units at 120V (6) Units at 230V

SIZE / WEIGHT

Length: 16.9" (430mm)
Width: 12.0" (304mm)
Vertical Height: 20.2" (512mm)
Weight: 43.0 lbs. (19.5 kg)

ELECTRICAL / THERMAL

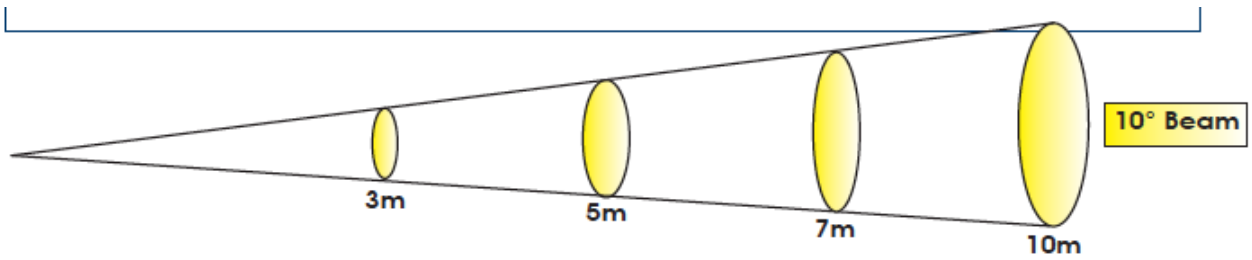
AC 100-230V - 50/60Hz
715W Max Power Consumption
-4°F (-20°C) to 104°F (40°C)

APPROVALS / RATINGS

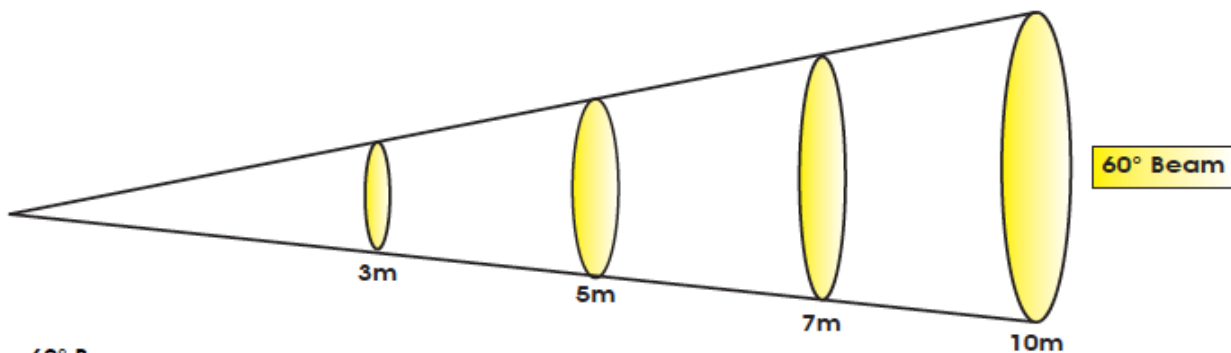
CE | RoHs | IP20

Please Note: Specifications and improvements in the design of this unit and this manual are subject to change without any prior written notice.

PHOTOMETRIC DATA



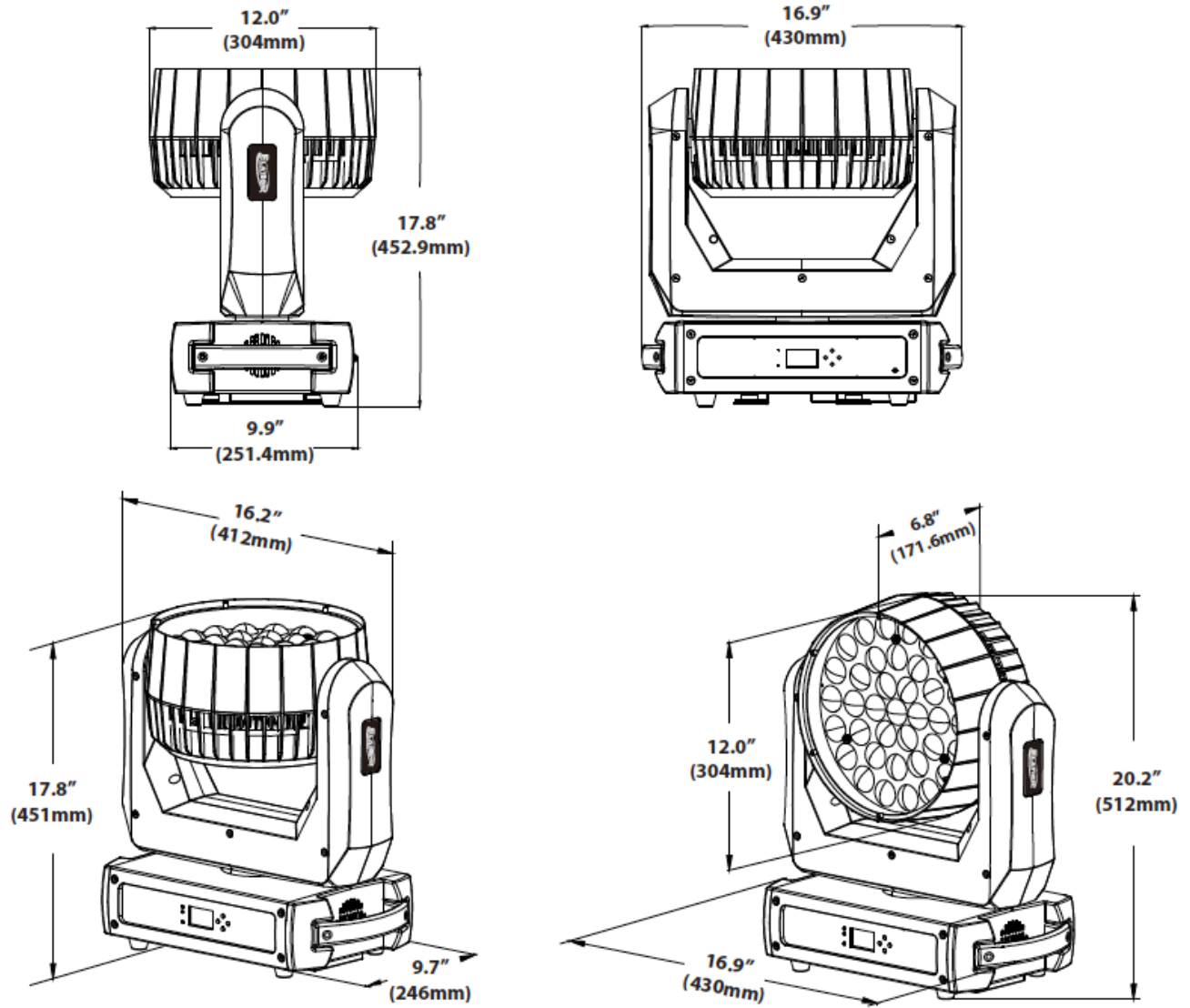
10° Beam Diameter	3 m	9.8 ft	5 m	16.4 ft	7 m	23 ft	10 m	32.8 ft
	lux	fc	lux	fc	lux	fc	lux	fc
RED LED _s	5,200	483	1,700	158	928	86	486	45
GREEN LED _s	11,400	1,059	4,246	394	2,255	209	1,056	98
BLUE LED _s	475	44	193	18	120	11	64	6
WHITE LED _s	13,400	1,245	5,000	465	2,727	253	1,160	108
FULL ON	28,650	2,662	11,440	1,063	5,528	514	2,660	247



60° Beam Diameter	3 m	9.8 ft	5 m	16.4 ft	7 m	23 ft	10 m	32.8 ft
	lux	fc	lux	fc	lux	fc	lux	fc
RED LED _s	501	47	170	16	107	10	72	7
GREEN LED _s	1,050	98	335	31	224	21	132	12
BLUE LED _s	59	5	26	2	30	3	22	2
WHITE LED _s	1,153	107	421	39	271	25	150	14
FULL ON	2,564	238	916	85	556	52	315	29

Please Note: Specifications and improvements in the design of this unit and this manual are subject to change without any prior written notice.

DIMENSIONAL DRAWINGS



Please Note: Specifications and improvements in the design of this unit and this manual are subject to change without any prior written notice.

OPTIONAL ACCESSORIES

ORDER CODE	ITEM
TRIGGER CLAMP	Heavy Duty Wrap Around Hook Style Clamp
PLC3	3' (1m) PowerCON PRO Link Cable
AC3PDMX5PRO	5 ft. (1.5m) 3pin PRO DMX Cable
AC5PDMX5PRO	5 ft. (1.5m) 5pin PRO DMX Cable
	Additional Cable Lengths Available

