



CUE Software Uploader™

SKU# CUE211

The CUE Software Uploader™ is a battery powered hand held software uploader device used to update Elation compatible lighting fixtures. Easily upload a software update to an Elation lighting fixture by connecting the uploader to the fixture using a 3pin DMX cable (not included). Elation software updates (not included) are stored on a MICRO SD card (included) and inserted into the uploader. CUE Software Uploader™ features an LCD display, 6 button control panel, a MICRO SD card slot, a 3pin XLR DMX output, an On/Off switch, and includes battery, USB cable, USB to MICRO SD card adapter, and blank MICRO SD card. Please contact Elation Service for details about available Elation fixture software updates.



Specifications subject to change without notice ©Elation Professional 08/18/16

Elation Professional USA | 6122 S. Eastern Ave. | Los Angeles, CA. 90040
323-582-3322 | 323-832-9142 fax | www.elationlighting.com | info@elationlighting.com

Elation Professional B.V. | Junostraat 2 | 6468 EW Kerkrade, Netherlands
+31 45 546 85 66 | +31 45 546 85 96 fax | www.elationlighting.eu | info@elationlighting.eu

PRODUCT SPECIFICATIONS

CONTROL / CONNECTIONS

6 Button Touch Control Panel
 LCD Menu Display
 3pin DMX Out
 MICRO SD Card Slot
 Mini USB Input

SIZE / WEIGHT

Length: 4.89" (124.15mm)
 Width: 2.73" (69.46mm)
 Vertical Height: 1.48" (37.5mm)
 Weight: 0.4 lbs. (0.2 kg)

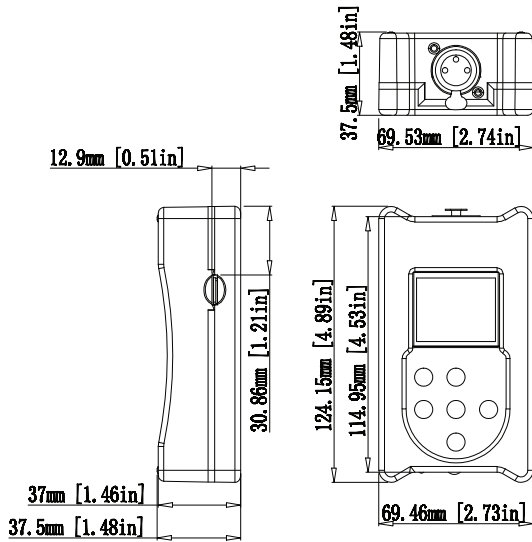
ELECTRICAL

USB Powered (Internal Battery)

INCLUDED ITEMS

USB Cable
 MICRO SD Card
 USB to MICRO SD Card Adapter

DIMENSIONAL DRAWINGS



ELATION COMPATIBLE MODEL LIST

ACL BAR
ACL 360 MATRIX
ACL 360 ROLLER
ACL 360i
ACL 360 BAR
ACL CURTAIN
ACL PAR 200
ACL PAR 200 IP
COLOUR CHORUS 12/24/48/72
CUEPIX BATTERN
CUEPIX BLINDER WW2 / WW4
CUEPIX PANEL
CUEPIX PAR 300
CUEPIX STRIP TRI / WW
DW CHORUS 12/24/48/72
DTW BAR 1000
DTW BLINDER 350 IP / 700 IP
DTW PAR 300
DW PAR Z19 IP
FUZE PAR Z60 IP / Z120 IP
FUZE WASH Z120 / Z350
SIXBAR 500 / 1000 / 1000 IP
SIXPAR 100 / 200 / 300
SIXPAR 100IP / 200IP / 300IP
SIXPAR Z19 IP
ZCL 360 BAR
ZCL 360i
ZCL BAR Z300 IP

OPTIONAL ACCESSORIES

ORDER CODE	ITEM
AC3PM5PFM	1 ft. (0.3m) 3pin Male to 5pin Female DMX Cable
AC3PDMX5PRO	5 ft. (1.5m) 3pin PRO DMX Cable
AC5PDMX5PRO	5 ft. (1.5m) 5pin PRO DMX Cable
	Additional cable lengths available

Specifications are subject to change without notice ©Elation Professional 08/18/16



Elation Professional USA | 6122 S. Eastern Ave. | Los Angeles, CA. 90040
 323-582-3322 | 323-832-9142 fax | www.elationlighting.com | info@elationlighting.com

Elation Professional B.V. | Junostraat 2 | 6468 EW Kerkrade, Netherlands
 +31 45 546 85 66 | +31 45 546 85 96 fax | www.elationlighting.eu | info@elationlighting.eu