

Two-Input Wall Plate Switcher for HDMI and VGA Inputs with HDBaseT Output

AT-HDVS-150-TX-WP

User Manual



Please check <http://www.atlona.com/AT-HDVS-150-TX-WP>
for the most recent **firmware
update** or **manual**.

Table of Contents

1. Introduction	3
2. Package Contents	3
3. Features	3
4. Compatibility	3
5. Auto switching	3
6. Panel Descriptions	
a. Front Panel	4
b. Rear Panel	4
7. Face Plate Change	4
8. Wall Plate Installation	5
9. Set Up	6
10. Connection and Installation	6
11. Specifications	7
12. Safety Information	8
13. Warranty	9-10
14. Atlona Product Registration	10

Introduction

The Atlona AT-HDVS-150-TX-WP is a 2×1 wall plate switcher with display control for HDMI and VGA transmission over HDBaseT™. It features an HDMI input plus VGA input with 3.5mm audio connector and a two-gang, US or UK two-gang wall plate. Plates without buttons are also available (AT-HDVS-TX-WP-NB). Designed as a remote input device for the AT-UHD-CLSO-824 matrix switcher, the AT-HDVS-150-TX-WP combines the benefits of a switcher with built-in auto-switching and the advantages of long-distance HDBaseT signal extension over a single cable. HDMI signals up to 4K/UHD @ 60Hz with embedded audio, VGA input signals up to 1920×1200 video, and control signals can be extended up to 230 feet (70 meters). The switcher enables auto display on/off, auto-switching, along with other features. The switcher receives power from the AT-UHD-CLSO-824 using Power over Ethernet. The AT-HDVS-150-TX-WP fits inside any 40 mm deep two-gang electrical box or mud ring and is ideal for long distance transmission and display control in corporate or educational settings using analog and digital sources.

Package Contents

- 1 x AT-HDVS-150-TX-WP
- 1 x Wall plate covers (US)
- 4 x US wall plate screws
- 2 x UK wall plate screws
- 1 x User manual

Features

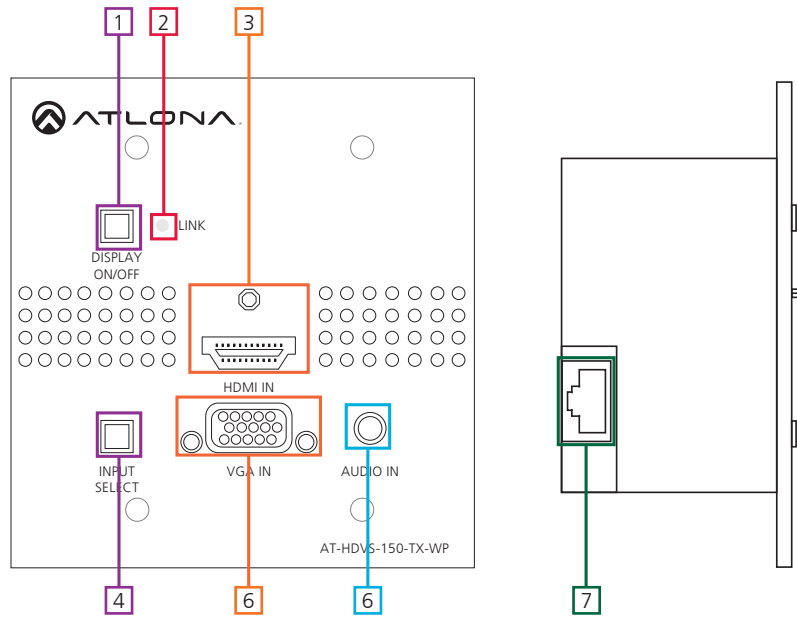
- HDMI and VGA/analog audio inputs
- Auto-switching for easy input managing
- Extends resolutions of 4K (UHD) up to 230 feet (70 meters)*
- Optional UK 2-gang wall plate
- Embeds analog audio onto HDBaseT output when using VGA input
- Firmware upgrade via USB for easy field service

Auto Switching

Built in auto-switching for easier selection. Power on and off sources to switch inputs.

Note: A 5V hot plug event is used to trigger input selection. If a 5V signal is not detected the source will not change. Many VGA sources do not include the 5V hot plug.

Panel Description



1. DISPLAY ON/OFF button: Sends RS-232 trigger command when used with a compatible receiver
(**ex.** AT-UHD-CLSO-824 - see CLSO manual for instructions)
Note: If DISPLAY ON/OFF button is held for 5 seconds it will switch the baud rate between 115200 or 9600
2. LINK LED: Illuminates when receiving power/signal from compatible receivers
(**ex.** AT-UHD-CLSO-824)
3. HDMI IN: Connect HDMI source here
4. INPUT SELECT button: Use to switch between VGA and HDMI source
Button will illuminate blue for HDMI
Button will illuminate red for VGA
5. VGA IN: Connect VGA source here
6. AUDIO IN: Connect analog audio here (for use with VGA input only)
7. RJ45 port: Connect compatible HDBaseT receiver (**ex.** AT-UHD-CLSO-824) here

US and UK Face Plate Change

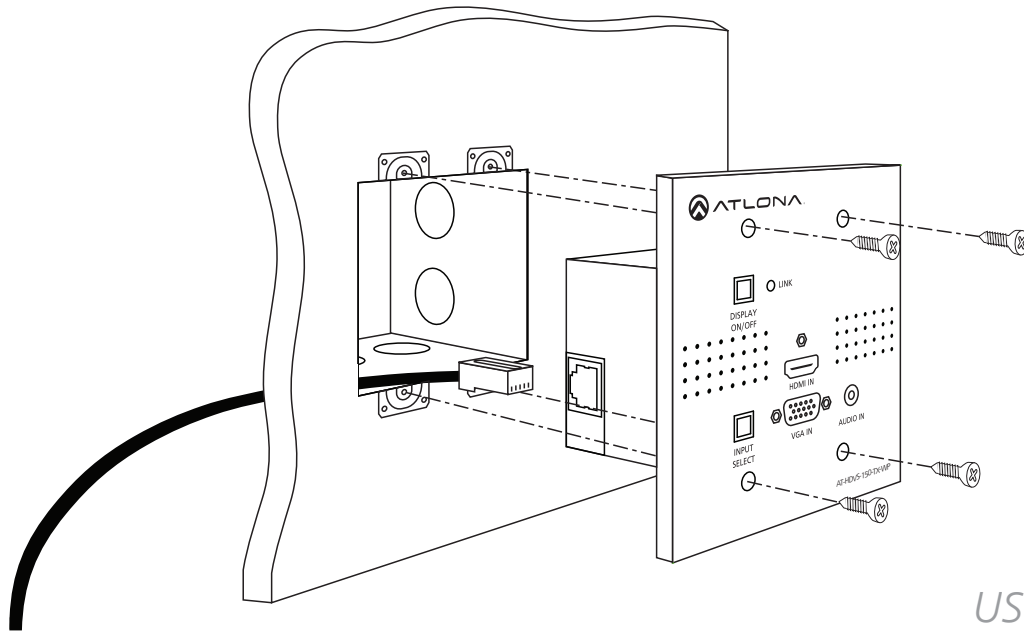
When switching the product between US and UK face plates, screws will need to be removed.

The screws that need removal are the locking screws for the HDMI and VGA ports. There are 3 total to remove. The top white face plate can be removed once those have been taken out.

Once the faceplate is off, the new face plate can be placed back on the unit. Reattach the HDMI and VGA screws, then the unit is ready to be used.

Wall Plate Installation

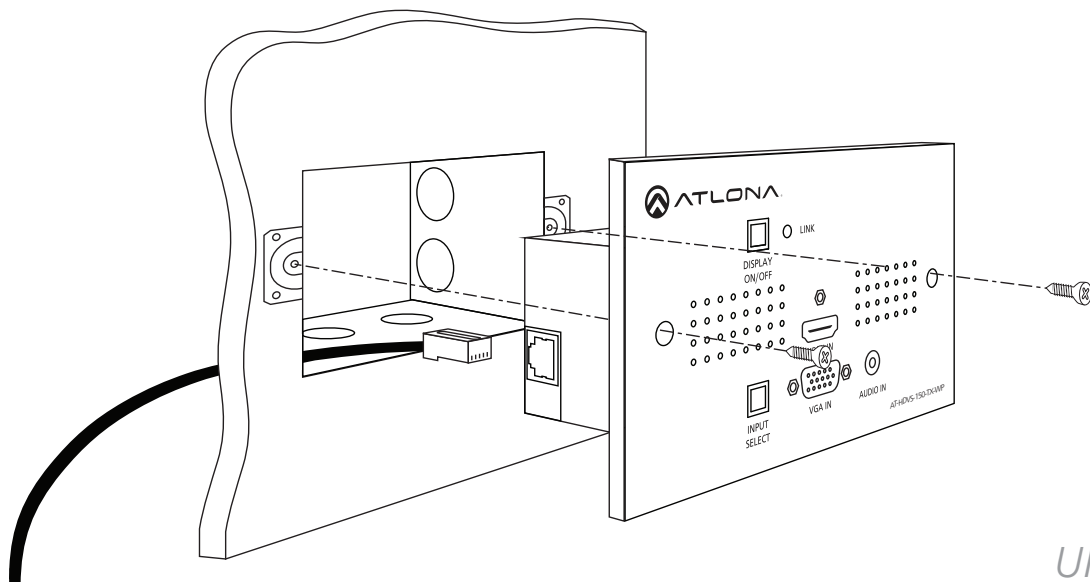
The HDVS-150-TX-WP will fit in any 2 Gang (US & UK) electrical box or mud ring (that is at least 40mm deep).



US

When installing the US version, use the four shorter screws. Thread the screws through the face plate into the back box (as shown above).

Note: Be sure to plug the CAT cable into the back of the wall plate before full installation



UK

The UK wall plate screws will be the longer than the US screws. Thread the screws through the two holes in the UK wall plate and into the back box (as shown above).

Note: Be sure to plug the CAT cable into the back of the wall plate before full installation

Set Up

RS-232 control is available when used with appropriate power supply and HDBaseT receiver (AT-UHD-CLSO-824) with RS-232 capabilities.

The display on/off button can be used to transmit the following commands:

WP_Display[a]\$ [a] ? , On , Off Display On/Off control

To change inputs, the HDVS-TX should receive these commands:

WP_Input[a]\$ [a] ? , Hdmi , Vga Select input source

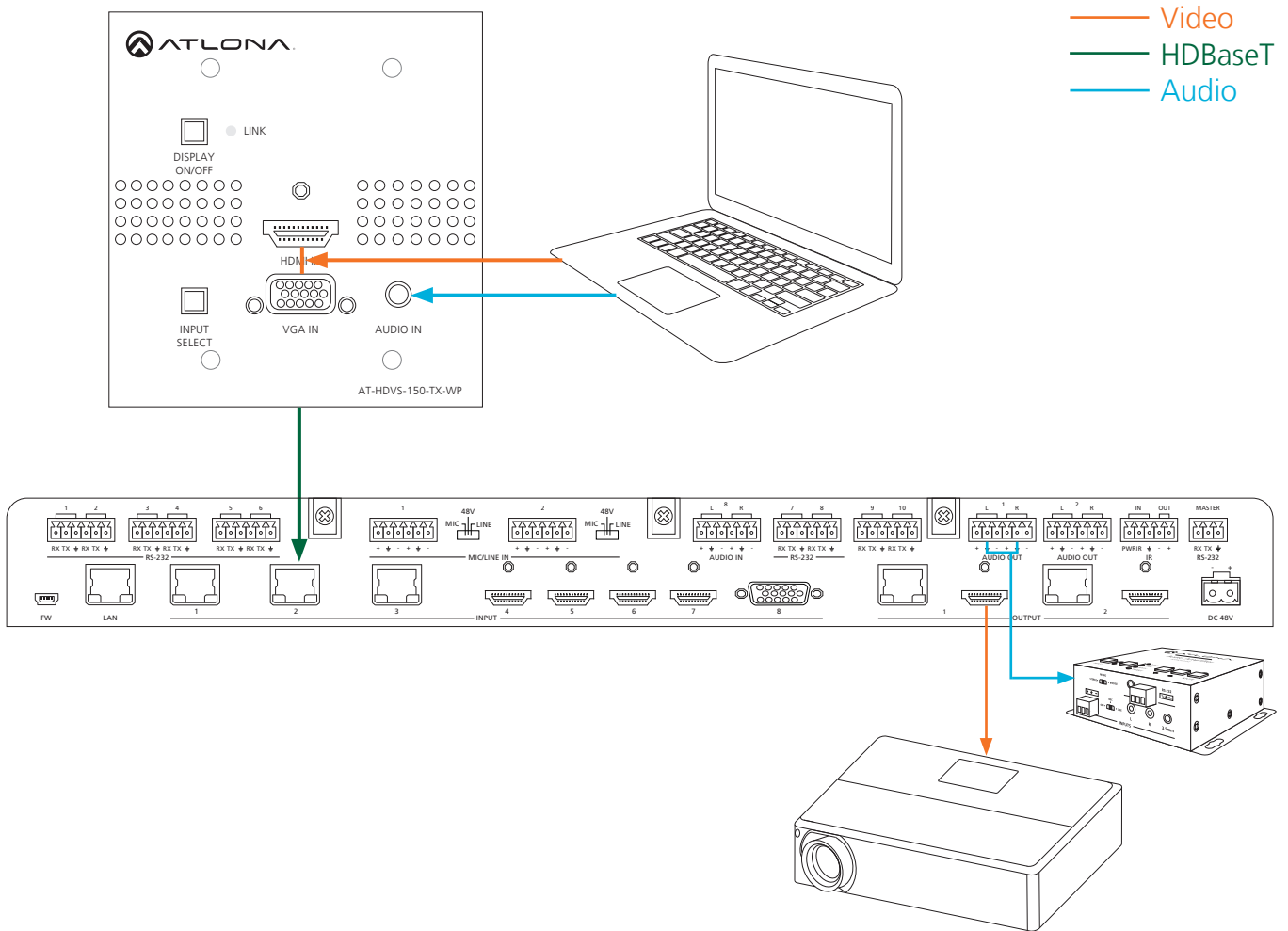
The port settings for the control device are:

115200 bps, 8 bit data length, No parity bit, 1 bit stop-bit, No flow control

Note: To set the port to 9600, press and hold the display on/off button

Note: Each command is terminated with a carriage return

Connection and Installation



Specifications

Video Resolutions

Video	4096x2160@24/25/30/50*/60Hz*, 3840x2160@24/25/30/50*/60Hz* (UHD), 2048x1080p, 1080p@23.98/24/25/29.97/30/50/59.94/60Hz, 1080i@50/59.94/60Hz, 720p@50/59.94/60Hz, 576p, 576i, 480p, 480i	
VESA	2560x2048, 2560x1600, 2048x1536, 1920x1200, 1680x1050, 1600x1200, 1600x900, 1440x900, 1400x1050, 1366x768, 1360x768, 1280x1024, 1280x800, 1280x768, 1152x864, 1024x768, 800x600, 640x480	
Color Space	YUV, RGB	
Chroma Subsampling	4:4:4, 4:2:2, 4:2:0*	
Color Depth	8-bit, 10-bit, 12-bit	

Audio

Analog IN	PCM 2Ch	
HDMI / HDBaseT	PCM 2Ch, LPCM 5.1, LPCM 7.1, Dolby Digital, DTS 5.1, Dolby Digital Plus, Dolby TrueHD, DTS-HD Master Audio, Dolby Atmos	
Sample Rate	32kHz, 44.1kHz, 48kHz, 88.2kHz, 96kHz, 176.4kHz, 192kHz	
Bit rate	up to 24-bit	

Distance

CAT5e/6 @ 4K	up to 35 meters	up to 115 feet
CAT6a/7 @ 4K	up to 40 meters	up to 130 feet
CAT5e/6 @ 1080p	up to 60 meters	up to 197 feet
CAT6a/7 @ 1080p	up to 70 meters	up to 230 feet
HDMI @ 4K	up to 5 meters	up to 15 feet
HDMI @ 1080p	up to 10 meters	up to 30 feet

Signal

Bandwidth	10.2 Gbps
CEC	Yes
HDCP	1.4

Temperature

Operating	0°C to 50°C	32°F to 122°F
Storage	-20°C to 60°C	-4°F to 140°F
Humidity	20 to 90% non-condensing	

Power

Consumption	18.7W (when paired)
-------------	---------------------

Dimension

Wall	2 Gang, 1.5 inch (40 mm) deep
------	-------------------------------

Weight

Device	0.37 kg	0.82 lbs
--------	---------	----------

Certification

Product	CE, FCC
---------	---------

*4096x2160@50/60Hz & 3840x2160@50/60Hz supported @ chroma subsampling 4:2:0 8-bit only

Safety Information

Safeguards



To reduce the risk of electric shock, do not expose this product to rain or moisture



Do not modify the wall plug. Doing so will void the warranty and safety features.



If the wall plug does not fit into your local power socket, hire an electrician to replace your obsolete socket.



This equipment should be installed near the socket outlet and the device should be easily accessible in the case it requires disconnection.

Precautions

FCC regulations state that any unauthorized changes or modifications to this equipment, not expressly approved by the manufacturer, could void the user's authority to operate this equipment.

Operate this product using only the included external power supply. Use of other power supplies could impair performance, damage the product, or cause fires.

In the event of an electrostatic discharge this device may automatically turn off. If this occurs, unplug the device and plug it back in.

Protect and route power cords so they will not be stepped on or pinched by anything placed on or against them. Be especially careful of plug-ins or cord exit points from this product.

Avoid excessive humidity, sudden temperature changes or temperature extremes.

Keep this product away from wet locations such as bathtubs, sinks, laundries, wet basements, fish tanks, and swimming pools.

Use only accessories recommended by Atlona to avoid fire, shock, or other hazards.

Unplug the product before cleaning. Use a damp cloth for cleaning and not cleaning fluid or aerosols. Such products could enter the unit and cause damage, fire, or electric shock. Some substances may also mar the finish of the product.

Never open, remove unit panels, or make any adjustments not described in this manual. Attempting to do so could expose you to dangerous electrical shock or other hazards. It may also cause damage to your product. Opening the product will void the warranty.

Do not attempt to service the unit. Disconnect the product and contact your authorized Atlona reseller or contact Atlona directly.

Atlona, Inc. (“Atlona”) Limited Product Warranty Policy

Coverage

Atlona warrants its products will substantially perform to their published specifications and will be free from defects in materials and workmanship under normal use, conditions and service.

Under its Limited Product Warranty, Atlona, at its sole discretion, will either:

- A) repair or facilitate the repair of defective products within a reasonable period of time, restore products to their proper operating condition and return defective products free of any charge for necessary parts, labor and shipping
- OR**
- B) replace and return, free of charge, any defective products with direct replacement or with similar products deemed by Atlona to perform substantially the same function as the original products
- OR**
- C) refund the pro-rated value based on the remaining term of the warranty period, not to exceed MSRP, in cases where products are beyond repair and/or no direct or substantially similar replacement products exist.

Repair, replacement or refund of Atlona’s products is the purchaser’s exclusive remedy and Atlona’s liability does not extend to any other damages, incidental, consequential or otherwise.

This Limited Product Warranty extends to the original end-user purchaser of Atlona’s products and is non-transferrable to any subsequent purchaser(s) or owner(s) of these products.

Coverage Periods

Atlona’s Limited Product Warranty Period begins on the date of purchase by the end-purchaser. The date contained on the end-purchaser’s sales or delivery receipt is the proof purchase date.

Limited Product Warranty Terms – New Products

- 10 years from proof of purchase date for hardware/electronics products purchased on or after June 1, 2013
- 3 years from proof of purchase date for hardware/electronics products purchased before June 1, 2013
- Lifetime Limited Product Warranty for all cable products

Limited Product Warranty Terms – Refurbished (B-Stock) Products

- 3 years from proof of purchase date for all Refurbished (B-Stock) hardware and electronic products purchased on or after June 1, 2013

Remedy

Atlona recommends that end-purchasers contact their authorized Atlona dealer or reseller from whom they purchased their products. Atlona can also be contacted directly. Visit www.atlona.com for Atlona’s contact information and hours of operation. Atlona requires that a dated sales or delivery receipt from an authorized dealer, reseller or end-purchaser is provided before Atlona extends its warranty services. Additionally, a return merchandise authorization (RMA) and/or case number, is required to be obtained from Atlona in advance of returns.

Atlona requires that products returned are properly packed, preferably in the original carton, for shipping. Cartons not bearing a return authorization or case number will be refused. Atlona, at its sole discretion, reserves the right to reject any products received without advanced authorization. Authorizations can be requested by calling 1-877-536-3976 (US toll free) or 1-408- 962-0515 (US/international) or via Atlona’s website at www.atlona.com.

Exclusions

This Limited Product Warranty excludes:

- Damage, deterioration or malfunction caused by any alteration, modification, improper use, neglect, improper packing or shipping (such claims must be presented to the carrier), lightning, power surges, or other acts of nature.
- Damage, deterioration or malfunction resulting from the installation or removal of this product from any installation, any unauthorized tampering with this product, any repairs attempted by anyone unauthorized by Atlona to make such repairs, or any other cause which does not relate directly to a defect in materials and/or workmanship of this product.
- Equipment enclosures, cables, power supplies, batteries, LCD displays, and any accessories used in conjunction with the product(s).
- Products purchased from unauthorized distributors, dealers, resellers, auction websites and similar unauthorized channels of distribution.

Disclaimers

This Limited Product Warranty does not imply that the electronic components contained within Atlona's products will not become obsolete nor does it imply Atlona products or their electronic components will remain compatible with any other current product, technology or any future products or technologies in which Atlona's products may be used in conjunction with. Atlona, at its sole discretion, reserves the right not to extend its warranty offering in instances arising outside its normal course of business including, but not limited to, damage inflicted to its products from acts of god.

Limitation on Liability

The maximum liability of Atlona under this limited product warranty shall not exceed the original Atlona MSRP for its products. To the maximum extent permitted by law, Atlona is not responsible for the direct, special, incidental or consequential damages resulting from any breach of warranty or condition, or under any other legal theory. Some countries, districts or states do not allow the exclusion or limitation of relief, special, incidental, consequential or indirect damages, or the limitation of liability to specified amounts, so the above limitations or exclusions may not apply to you.

Exclusive Remedy

To the maximum extent permitted by law, this limited product warranty and the remedies set forth above are exclusive and in lieu of all other warranties, remedies and conditions, whether oral or written, express or implied. To the maximum extent permitted by law, Atlona specifically disclaims all implied warranties, including, without limitation, warranties of merchantability and fitness for a particular purpose. If Atlona cannot lawfully disclaim or exclude implied warranties under applicable law, then all implied warranties covering its products including warranties of merchantability and fitness for a particular purpose, shall provide to its products under applicable law. If any product to which this limited warranty applies is a "Consumer Product" under the Magnuson-Moss Warranty Act (15 U.S.C.A. §2301, ET SEQ.) or other applicable law, the foregoing disclaimer of implied warranties shall not apply, and all implied warranties on its products, including warranties of merchantability and fitness for the particular purpose, shall apply as provided under applicable law.

Other Conditions

Atlona's Limited Product Warranty offering gives legal rights, and other rights may apply and vary from country to country or state to state. This limited warranty is void if (i) the label bearing the serial number of products have been removed or defaced, (ii) products are not purchased from an authorized Atlona dealer or reseller. A comprehensive list of Atlona's authorized distributors, dealers and resellers can be found at www.atlona.com.

Atlona, Inc Product Registration

Thank you for purchasing this Atlona product. - We hope you enjoy it and will take an extra few moments to register your new purchase.

Registration creates an ownership record if your product is lost or stolen and helps ensure you'll receive notification of performance issues and firmware updates.

At Atlona we respect and protect your privacy, assuring you that your registration information is completely secure. Atlona product registration is completely voluntary and failure to register will not diminish your limited warranty rights.

To register go to: <http://www.atlona.com/registration>