

## WB Series Wall Plate Covers and Boxes Recessed and Surface Mount

# FSR

**Metal Products Group**



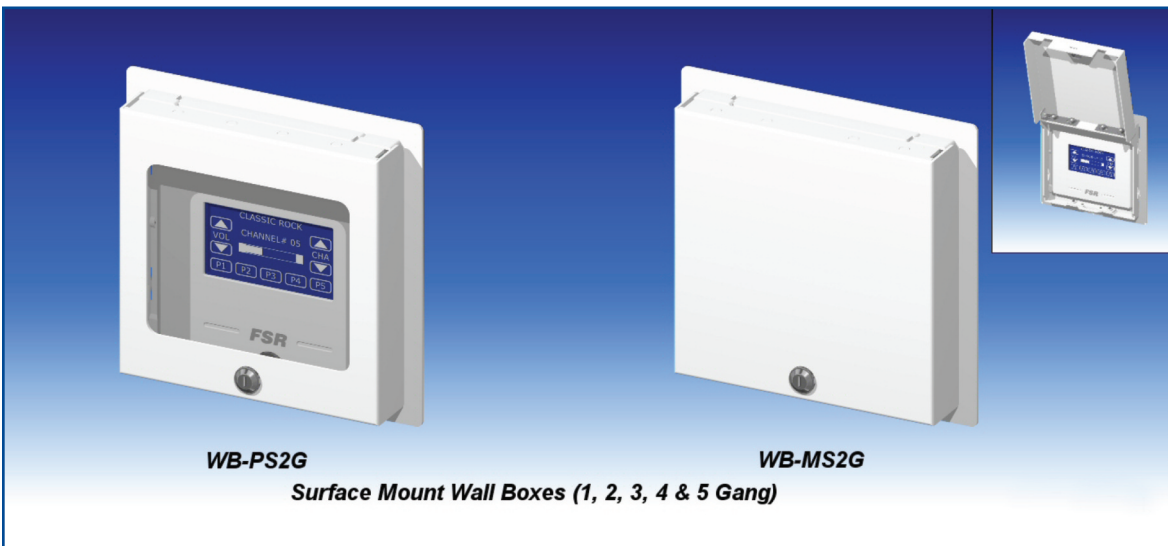
**WB-R2G**  
Recessed Mounting Plate (2, 3 & 4 Gang)

The Wall Box series offers 18 different models to fit your needs. Everything from recessed to surface mounts are available for new or existing construction. We have addressed the rising issue of network security with models featuring a locking metal door, available with or without a clear acrylic window in models with two or more gangs. The window can be used as a view port, allowing the operator to effortlessly monitor the status of the control panel mounted in the box without opening it. The WB Series is an effective way to secure and protect wall plates and data plates with multiple network connections. They may also be used to mount other touch plates.



**WB-PR2G**  
Recessed Covered Wall Boxes (2, 3 & 4 Gang)

**WB-MR2G**



**WB-PS2G**  
Surface Mount Wall Boxes (1, 2, 3, 4 & 5 Gang)

**WB-MS2G**

# FSR

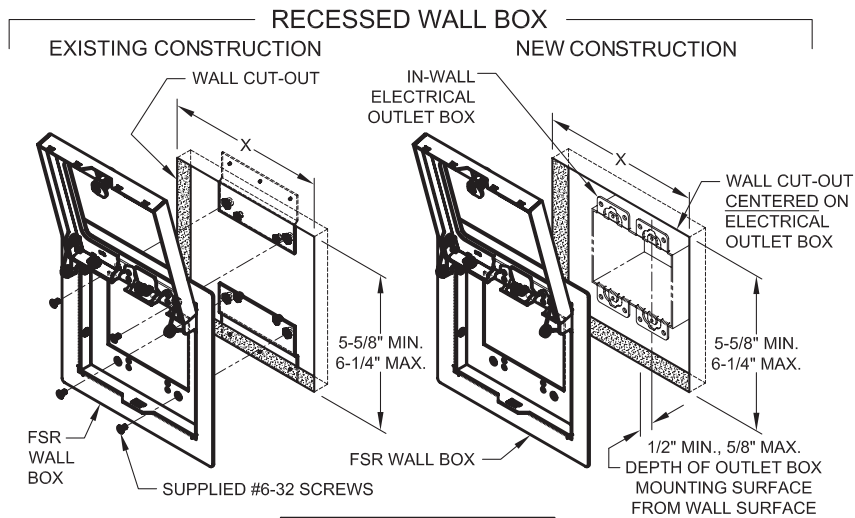
244 Bergen Boulevard, Woodland Park, NJ 07424  
Phone: 973.785.4347 · Fax: 973.785.4207

Web: [www.fsrinc.com](http://www.fsrinc.com) · E-mail: [sales@fsrinc.com](mailto:sales@fsrinc.com) LIT1144A

# Specifications

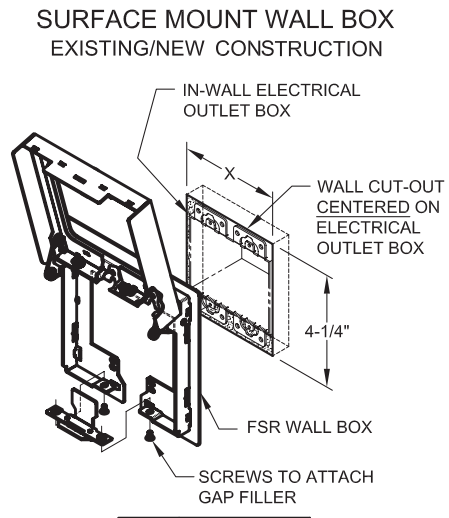
APPLICATION	MODEL	DESCRIPTION	GANG
NEW/EXISTING CONSTRUCTION	WB-RXG	RECESSED WALL BOX W/O COVER	2, 3, 4
NEW/EXISTING CONSTRUCTION	WB-PRXG	RECESSED WALL BOX W/O COVER, W/ WINDOW	2, 3, 4
NEW/EXISTING CONSTRUCTION	WB-MRXG	RECESSED WALL BOX W COVER, W/O WINDOW	2, 3, 4
NEW/EXISTING CONSTRUCTION	WB-PSXG	SURFACE WALL BOX W COVER, W/ WINDOW	2, 3, 4, 5
NEW/EXISTING CONSTRUCTION	WB-MSXG	SURFACE WALL BOX W COVER, W/O WINDOW	1, 2, 3, 4, 5

**NOTE: "X" in model number will be replaced with gang size.**



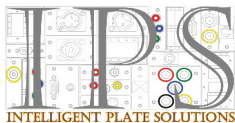
DIMENSION X		
SIZE	MINIMUM	MAXIMUM
2G	5-7/8"	6-3/8"
3G	7-11/16"	8-3/16"
4G	9-1/2"	10"

2 GANG VERSION SHOWN; WALL BOX AND MOUNTING BRACKET DIMENSION "X"-LENGTHS INCREASE ON BOTH 3- AND 4-GANG



SIZE	DIMENSION X
1G	2-1/4"
2G	4-1/4"
3G	6-1/4"
4G	8-1/4"
5G	10-1/4"

2 GANG VERSION SHOWN; WALL BOX DIMENSION "X"-LENGTH INCREASES ON 3- 4- AND 5-GANG; DECREASES ON THE 1-GANG



Explore our huge selection of IPS wallplates and wallplate mounted connectors. Visit our website or call and request Lit1150A spec sheet for full details.



Specifications are subject to change without notice.



244 Bergen Boulevard, Woodland Park, NJ 07424  
 Phone: 973.785.4347 · Fax: 973.785.4207  
 Web: [www.fsrinc.com](http://www.fsrinc.com) · E-mail: [sales@fsrinc.com](mailto:sales@fsrinc.com)