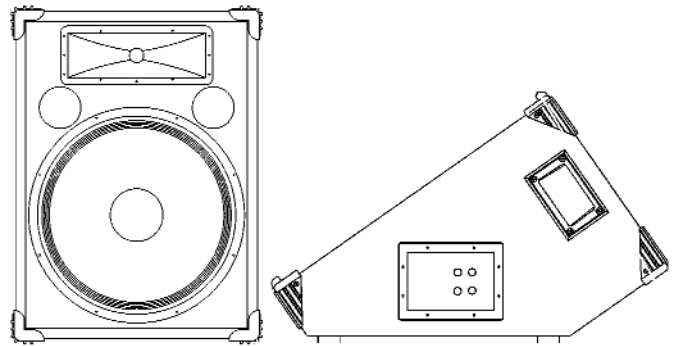


SPECIFICATIONS (See notes 1 and 2)

Loudspeaker Type:	Two-way, full-range
Operating Range:	70 Hz - 16 kHz 80 Hz - 14 kHz (+/-5dB)
Max Input Ratings:	200W continuous, 500W Program 40 volts RMS, 89 volts momentary peak
Recommended Power Amplifier:	For maximum SPL: 400W to 600W @ 8 Ohms
Sensitivity 1W/1m:	94 dB SPL (63 Hz - 12.5 kHz 1/3 octave bands) 93 dB SPL (250 Hz - 4 kHz speech range)
Maximum Output:	117 dB SPL / 124 dB SPL (peak)
Nominal Impedance:	8 Ohms
Min Impedance:	3.9 Ohms @ 10720 Hz
Nominal -6dB Beamwidth:	90° H (-4° / -47°, 1 kHz - 12.5 kHz) 40° V (+34° / -19°, 1 kHz - 12.5 kHz)
Axial Q / DI:	14.9 / 11.7, 1 kHz - 12.5 kHz
Crossover Frequency:	2 kHz
Recommended Signal Processing:	70Hz high pass filter
Drivers:	LF (1) 15" HF (1) LM20™ compression driver non-metallic diaphragm, Ferrofluid-cooled
Driver Protection:	Thermal Link™
Input Connection:	(2) 1/4" jacks, (2) Locking Connectors
Controls:	None
Enclosure:	MDF
Enclosure Hardware:	(2) Recessed handles (6) Interlocking corner protectors (4) Rubber feet
Mounting / Rigging Provisions:	None
Grille:	16 gauge perforated steel
Required Accessories:	None
Supplied Accessories:	None
Optional Accessories:	None
Dimensions:	Height: 23.4" / 594 mm Width: 17.5" / 445 mm Depth: 15" / 380 mm Front slope: 35° from horizontal
Weight:	41 lb. / 18.5 kg
Shipping Weight:	45 lb. / 20.4 kg

1. Sensitivity: Free field pink noise measurement at 40 ft / 12.2 m at 50% power; extrapolated to 1 meter and an input of 2.83 volts RMS.

2. Watts: All wattage figures are calculated using the rated nominal impedance.

**APPLICATIONS:**

- SOUND REINFORCEMENT/PORTABLE PA
- CLUBS/DJ
- BANDS
- HOUSES OF WORSHIP
- PERMANENT INSTALLATION
- SPORT FACILITIES & HEALTH CLUBS
- RENTAL SYSTEMS
- KARAOKE

FEATURES:

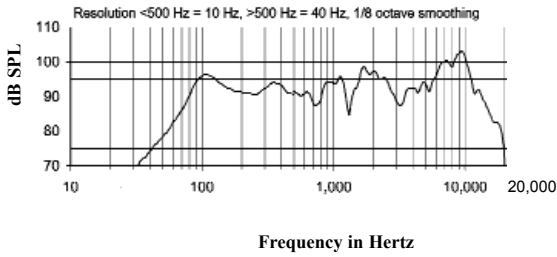
- SIGNAL PRESENT LED
- THERMAL LINK™ HF DRIVER PROTECTION
- LM20™ LOW MASS FERROFLUID-COOLED NON-METALLIC DIAPHRAGM
- HEAVILY BRACED MDF CONSTRUCTION
- TWO 1/4" INPUT CONNECTORS, AND TWO LOCKING CONNECTORS
- RECESSED HANDLES
- 16 GAUGE STEEL GRILLES

DESCRIPTION

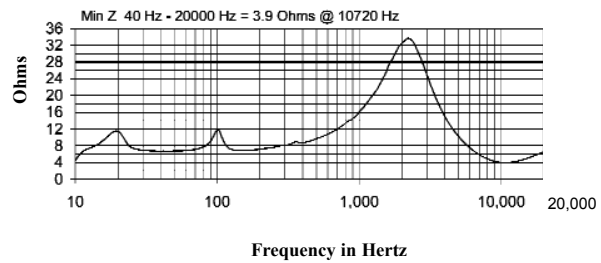
The MVP38 is a high output, super-compact, two-way stage monitor system. The system utilizes one LM20™ proprietary high-frequency compression driver coupled to an exponential horn and one 15" woofer for high sensitivity and excellent power handling capability. These components are matched to an extremely low-profile enclosure of an optimally tuned, direct radiating, bass reflex design. The recessed handles, black carpet exterior, perforated steel grille, and injection molded corners make this system attractive, rugged and easily transportable.

The MVP38 offers a robust internal crossover with Thermal Link™ Dynamic HF Driver Protection. The crossover is built to last with high quality inductors, precision wound coils and military grade circuit boards. The proprietary Thermal Link Dynamic HF Driver Protection circuit provides both over-current and thermal protection for added performance and reliability. Designed as a high performance stage monitor, the MVP38 offers the clarity and detail necessary for critical live performance use. In addition, its smooth, peak-free response provides maximum gain before feedback ensuring capability for high on-stage sound pressure levels. The compact, low-profile design makes the MVP38 ideal for TV broadcast, house of worship and other applications where stage equipment must be as unobtrusive as possible, yet provide fully professional performance.

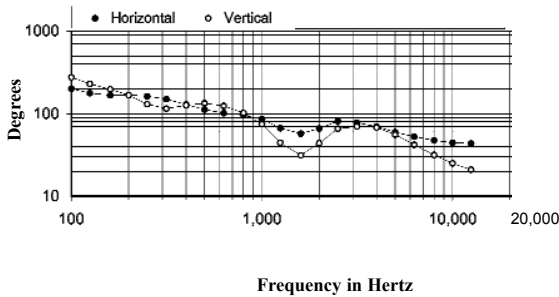
Frequency Response



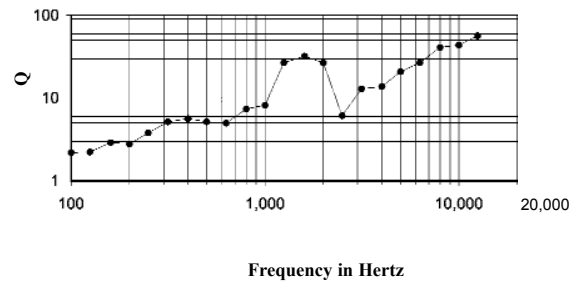
Impedance



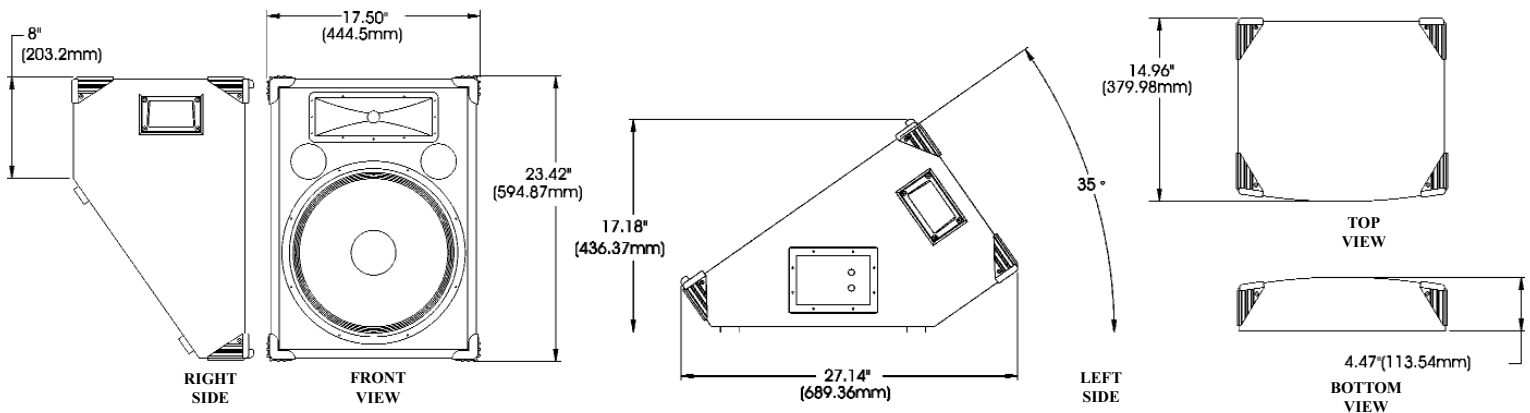
Beamwidth



Axial Q



DIMENSIONS



ARCHITECTS AND ENGINEERS SPECIFICATIONS

The loudspeaker system shall be a two-way, full-range stage monitor design with one 15" woofer and one 3/4" exit HF driver with a non-metallic diaphragm mounted to a 90° H x 40° V molded horn. Drivers shall be connected to an integral crossover with a crossover frequency of 2 kHz and a HF driver over-current and thermal protection circuitry. There shall be two 1/4" phone jacks and two locking connectors. The loudspeaker enclosure shall be black carpeted MDF construction with a 16 gauge perforated steel grille. The system shall have an amplitude response of 80 Hz to 14 kHz (+/- 5 dB), input capability of 40V RMS, 94 dB sensitivity at one meter and 2.83 V/8 ohms nominal impedance. The nominal dispersion shall be 90° H x 40° V from 1 kHz to 12.5 kHz. The loudspeaker shall be 23.4" (594 mm) H x 17.5" (445 mm) W x 15" (380 mm) D and weigh 41 lbs (18.6 kg).

LIMITED WARRANTY

Community MVP loudspeakers are guaranteed to be free from defects in materials and workmanship from the original date of sale for a period of five years in the U.S.A and worldwide. This warranty is automatically transferable to any and all owners during the specified period. For complete warranty information, consult the product owners manual or call (610) 876-3400 for a copy.