

SPECIFICATIONS (See notes 1 and 2)**MVP37****Specifications (See notes 1 and 2)**

Loudspeaker Type: Two-way, Full-range
Operating Range: 60 Hz - 16 kHz
50 Hz - 14 kHz (+/-6dB)

Max Input Ratings:

400W continuous, 1000W Program
40 volts RMS, 89 volts momentary peak

Recommended Power Amplifier:

800W to 1200W @ 4 Ohms

Sensitivity 1W/1m:

98 dB SPL (63 Hz - 12500 Hz 1/3 octave bands)
98 dB SPL (250 Hz - 4 kHz speech range)

Maximum Output: 124 dB SPL / 131 dB SPL (peak)

Nominal Impedance: 4 Ohms

Min Impedance: 3.3 Ohms @ 40 Hz

Nominal -6dB Beamwidth:

90° H (+-12° / --44°, 2 kHz - 12.5 kHz)

40° V (+16° / --19°, 2 kHz - 12.5 kHz)

Axial Q / DI: 12.9 / 11.1, 2 kHz - 12.5 kHz

Crossover Frequency: 2 kHz

Recommended Signal Processing: None

Drivers: LF (2) 15"

HF (1) LM20™ Compression driver,
Non-metallic, Ferrofluid-cooled

Driver Protection: Thermal Link™

Input Connection: (2) Locking Connectors
(NL4MP compatible)
(2) 1/4 in. jacks

Controls: None

Enclosure: MDF

Enclosure Hardware: (2) Handles
(8) Corner protectors

Mounting / Rigging Provisions: (6) 5/16-18 hanging point inserts

Grille: 16 gauge perforated steel

Required Accessories: 60Hz High pass filter

Supplied Accessories: None

Optional Accessories: STRAPKIT: (3) steel straps for suspending

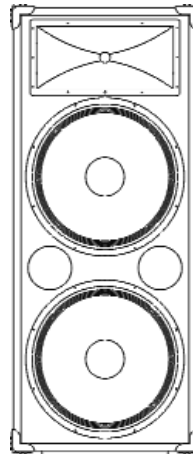
Dimensions: Height: 43 in. / 1092 mm
Width (front): 18 in. / 457 mm
Width (rear): 12 in. / 305 mm
Depth: 19 in. / 483 mm

Weight: 86 lb. / 42.5 kg

Shipping Weight: 97 lb. / 44 kg

1. Sensitivity: Free field pink noise measurement at 40 ft / 12.2 m at 50% power;
extrapolated to 1 meter and an input of 2 volts RMS.

2. Watts: All wattage figures are calculated using the rated nominal impedance.

**APPLICATIONS:**

- SOUND REINFORCEMENT/PORTABLE PA
- CLUBS/DJ
- BANDS
- HOUSES OF WORSHIP
- PERMANENT INSTALLATION
- SPORT FACILITIES & HEALTH CLUBS
- RENTAL SYSTEMS
- KARAOKE

FEATURES:

- SIGNAL PRESENT LED
- THERMAL LINK™ HF DRIVER PROTECTION
- LM20™ LOW MASS FERROFLUID-COOLED NON-METALLIC DIAPHRAGM
- HEAVILY BRACED MDF CONSTRUCTION
- TWO ¼" INPUT CONNECTORS, AND TWO LOCKING CONNECTORS
- RECESSED HANDLES
- 16 GAUGE STEEL GRILLES

DESCRIPTION

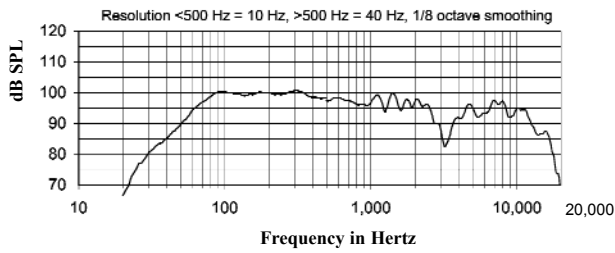
The MVP37 is a two-way, full-range loudspeaker system. Outfitted with dual cast frame 15-inch drivers the enclosure's substantial low-end performance allows the unit to easily provide full-bandwidth sound reinforcement without the use of subwoofers, while its overall height is such that it can effortlessly project over the tops of crowds. Central to the MVP37 is a bass-ported design and a one-piece 90x40 large format molded horn section housing Community's new proprietary LM20™ compression driver.

Just like all the other MVP Series, the MVP37 offers a Thermal-Link™ Driver Protection System automatically monitoring high frequency performance. The Thermal-Link circuit is designed to automatically adjust to the constantly changing protective threshold unique to a given application based upon driver temperature. Solid-state and self-resetting, this safeguarding network guarantees that each enclosure can remain running at maximum output, without risk of speaker damage.

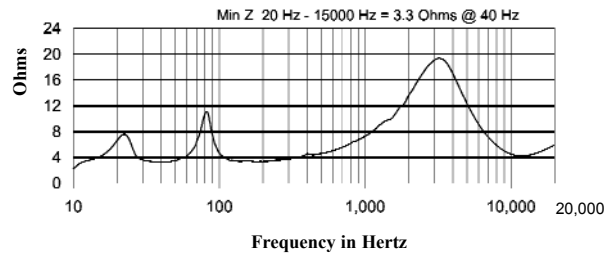
Externally corner protectors, recessed steel handles, rigging points, rubber feet, a 16-gauge steel grille, ¼" and locking connectors are all found on each MVP37 enclosure.

MVP37 Page 1 of 2

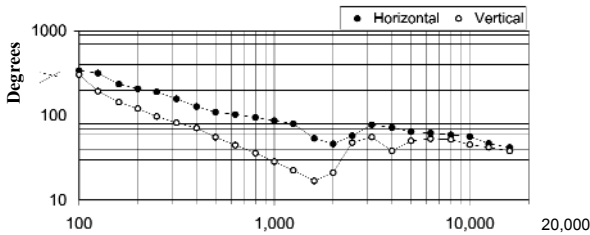
Frequency Response



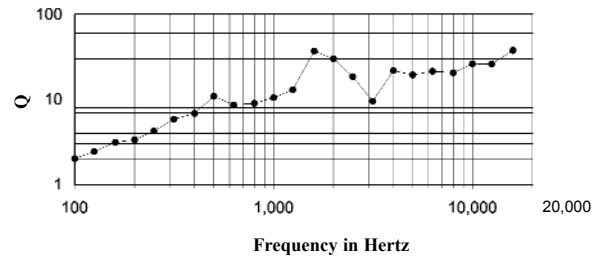
Impedance



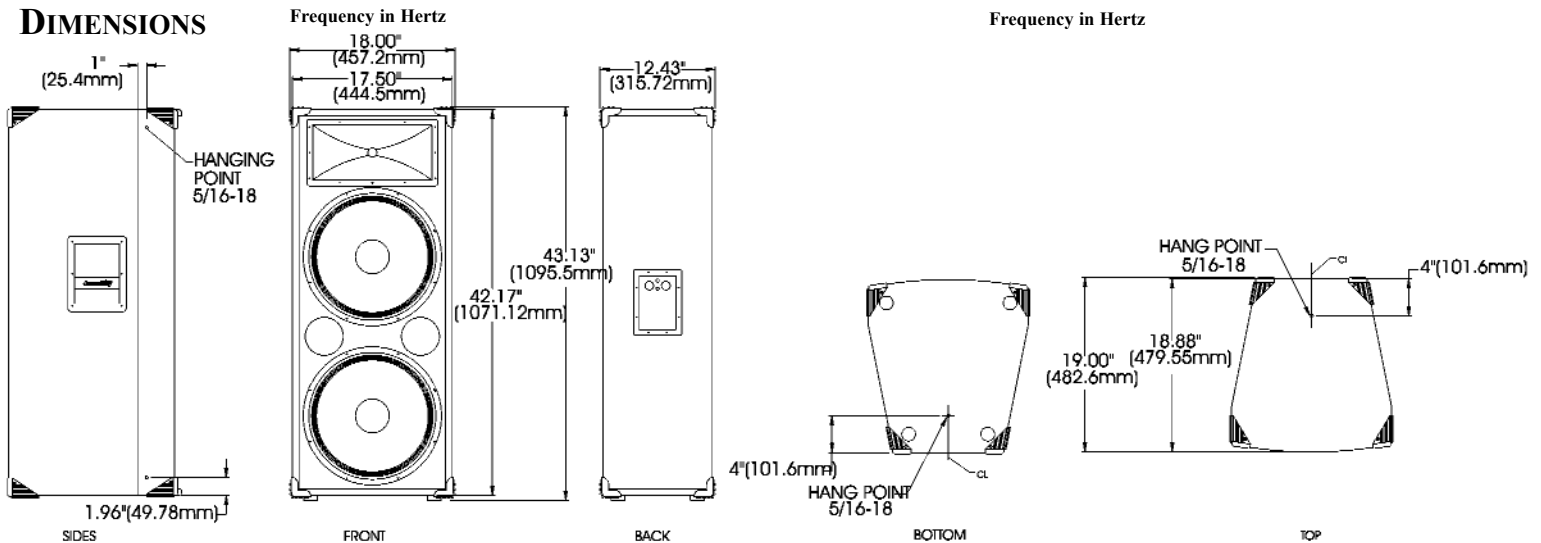
Beamwidth



Axial Q



DIMENSIONS



ARCHITECTS AND ENGINEERS SPECIFICATIONS

The loudspeaker system shall be a two-way, full-range bass reflex trapezoidal design with two 15" cast frame woofer and one 3/4" exit HF driver with a non-metallic diaphragm mounted to a 90° H x 40° V molded horn. Drivers shall be connected to an integral crossover with a crossover frequency of 2 kHz and a HF driver over-current and thermal protection circuitry. There shall be two 1/4" phone jacks and two locking connectors. The loudspeaker enclosure shall be black carpeted MDF construction with a 16 gauge perforated steel grille. The system shall have an amplitude response of 60 Hz to 16 kHz (+/- 5 dB), input capability of 40V RMS, 98 dB sensitivity at one meter and 4 ohms nominal impedance. The nominal dispersion shall be 90° H x 40° V from 1 kHz to 13 kHz. The loudspeaker shall be 43" (1092 mm) H x 18" (457 mm) W (front) x 12" / 305 mm W (rear) x 19" (483 mm) D and weigh 86 lbs (42.5 kg).

LIMITED WARRANTY

Community MVP loudspeakers are guaranteed to be free from defects in materials and workmanship from the original date of sale for a period of five years in the U.S.A and worldwide. This warranty is automatically transferable to any and all owners during the specified period. For complete warranty information, consult the product owners manual or call (610) 876-3400 for a copy.