



Quam

# SYSTEM 5

1' x 2' CLASS

UL LISTED, 8" O.D. Loudspeaker, 5W-25/70V Transformer

## GENERAL DESCRIPTION

The **SYSTEM 5** is a complete, UL Listed, shallow depth, lightweight, 1' x 2' ceiling tile replacement loudspeaker system consisting of an 8C5PAX - 8" O.D. dual cone loudspeaker with a 5 oz. magnet and a TBLU - 5W-25/70V transformer. Molded fiber enclosure is 617 CID. Powder coated steel baffle with standard perforation and four (4) seismic tie-off points. The cable clamp and one (1) 24" "T" rail are included. No assembly required.



## INTENDED USE - Indoor Environment

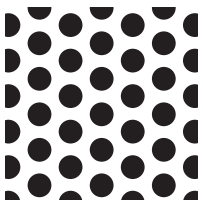
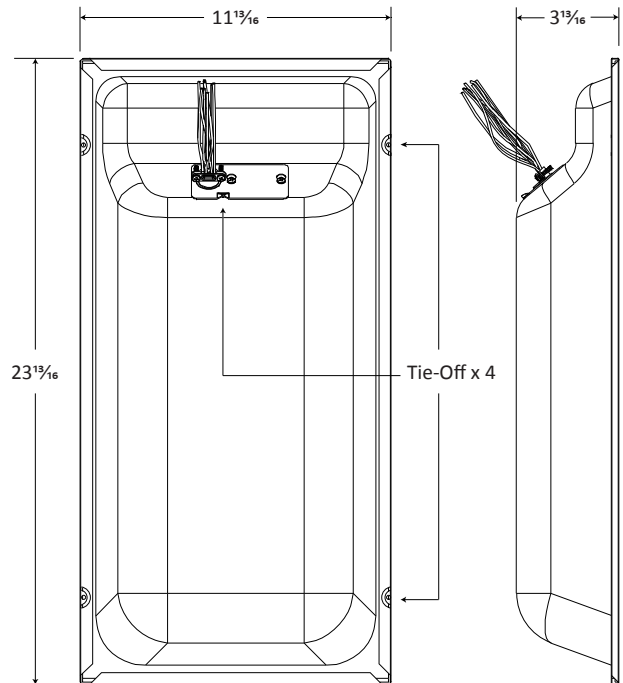
<b>Program Material</b>	Signal tones, voice, and music
<b>UL LISTED 1480</b>	As a General Signaling Device - When installed with supplied installation instructions and requirements of NEC /AHJ. (UEAY, UEAY7- Canada)
<b>UL LISTED 2043</b>	Suitable for use in air-handling spaces
<b>City of Chicago Approved</b>	Material and construction permits use where ceiling plenum is part of the air handling system.
<b>Installation</b>	Mounted parallel to floor plane in a 24" wide suspended ceiling tile grid.

## AUDIO SPECIFICATIONS

<b>Average Sensitivity</b>	92 dB SPL, 1W/1M
<b>Loudspeaker Power Rating</b>	12W RMS EIA 426A Standard
<b>Maximum Power Rating</b>	15W @ 8 Ohms
<b>Calculated Output</b>	99 dB-SPL 5W/1M
<b>Magnet Type &amp; Weight</b>	BeFe Ceramic, 5 oz. Nominal
<b>Frequency Response</b>	65 Hz - 17 kHz EIA 426A Standard
<b>Nominal Coverage Angle</b>	100° Included Angle -6 dB / 2 kHz, Half space
<b>Audio Connection</b>	4" Color-Coded Leads
<b>Unit Weight</b>	3.85 Lbs

## SYSTEM COMPONENTS

<b>Loudspeaker</b>	8C5PAX
<b>Transformer</b>	5W-25/70V : 5 Tap, Color Coded Leads (5W, 2.5W, 1.25W, 0.63W, 0.31W)



Standard Perforation Pattern  
Shown as 1" Square Sample

<p>Recommended construction sequences, installation instructions, and A&amp;E Specifications are available in various formats in the QUAM Architects' and Engineers' Resources section on the web at: <a href="http://www.QuamSpeakers.com">www.QuamSpeakers.com</a></p> <p>© 2013 Quam-Nichols Company reserves the right to make changes and/or improvements to its products at any time and without notice.</p>					<p>QUAM-NICHOLS COMPANY, INC. 234 East Marquette Rd. Chicago, IL. 60637 Tel: 1-800-NEED-NOW (800-633-3669) Fax: 1-888-NEED-NOW (888-633-3669) e-mail: NeedNow@QNC.com <a href="http://www.QuamSpeakers.com">www.QuamSpeakers.com</a></p>
	<p>www.QuamSpeakers.com</p>				