



Quam

SYSTEM 12

2' x 2' CLASS

UL LISTED, 8" O.D. Loudspeaker, 5W-25/70V Transformer

GENERAL DESCRIPTION

The **SYSTEM 12** is a complete, UL Listed, shallow depth, lightweight, 2' x 2' ceiling tile replacement loudspeaker system consisting of an 8C5PAX - 8" O.D. dual cone loudspeaker with a 5 oz. magnet and a TBLU - 5W-25/70V transformer. Molded fiber enclosure is 1,412 CID. Powder coated steel baffle with standard perforation and four (4) seismic tie-off points. The cable clamp is included. No assembly required.

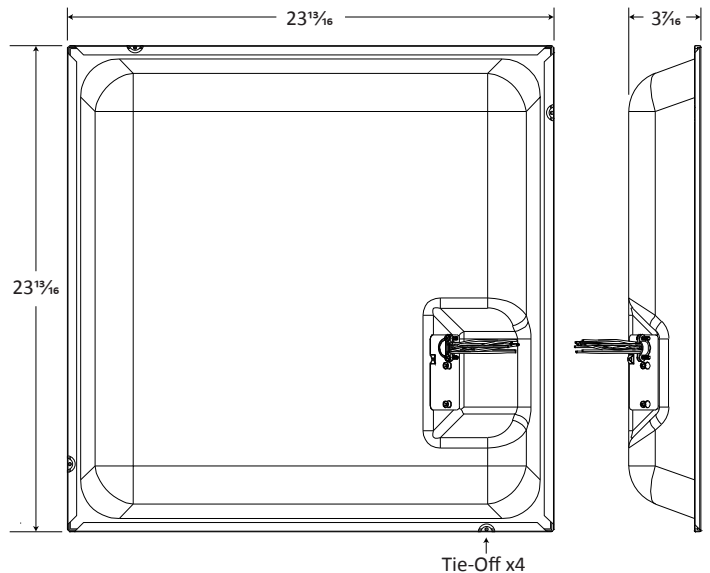


INTENDED USE - Indoor Environment

| | |
|---------------------------------|--|
| Program Material | Signal tones, voice, and music |
| UL LISTED 1480 | As a General Signaling Device - When installed with supplied installation instructions and requirements of NEC /AHJ. (UEAY, UEAY7- Canada) |
| UL LISTED 2043 | Suitable for use in air-handling spaces |
| City of Chicago Approved | Material and construction permits use where ceiling plenum is part of the air handling system. |
| Installation | Mounted parallel to floor plane in a 24" wide suspended ceiling tile grid. |

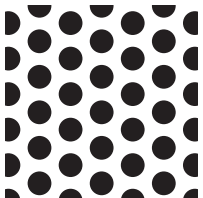
AUDIO SPECIFICATIONS

| | |
|---------------------------------|---|
| Average Sensitivity | 92 dB SPL, 1W/1M |
| Loudspeaker Power Rating | 12W RMS EIA 426A Standard |
| Maximum Power Rating | 15W @ 8 Ohms |
| Calculated Output | 99 dB-SPL 5W/1M |
| Magnet Type & Weight | BeFe Ceramic, 5 oz. Nominal |
| Frequency Response | 65 Hz - 17 kHz EIA 426A Standard |
| Nominal Coverage Angle | 100° Included Angle -6 dB / 2 kHz, Half space |
| Audio Connection | 4" Color-Coded Leads |
| Unit Weight | 6.15 Lbs |



SYSTEM COMPONENTS

| | |
|--------------------|--|
| Loudspeaker | 8C5PAX |
| Transformer | 5W-25/70V : 5 Tap, Color Coded Leads (5W, 2.5W, 1.25W, 0.63W, 0.31W) |



Standard Perforation Pattern
Shown as 1" Square Sample

| | | | | | |
|--|--|--|--|--|---|
| Recommended construction sequences, installation instructions, and A&E Specifications are available in various formats in the QUAM Architects' and Engineers' Resources section on the web at: www.QuamSpeakers.com | | | | | QUAM-NICHOLS COMPANY, INC. 234 East Marquette Rd. Chicago, IL. 60637 Tel: 1-800-NEED-NOW (800-633-3669) Fax: 1-888-NEED-NOW (888-633-3669) e-mail: NeedNow@QNC.com www.QuamSpeakers.com |
| | | | | | © 2013 Quam-Nichols Company reserves the right to make changes and/or improvements to its products at any time and without notice. |