



Quam

D2D1

SURFACE MOUNT

All-in-One Indoor / Outdoor Intercom System

The **D2D1** is a complete intercom system that provides two-way (half-duplex) communication between the hands free exterior station and the interior station. The interior station also supports electronic door lock release functionality (optional door lock not provided). The D2D1 is ideal for applications such as front/back door entrances, remote entry ways, delivery docks, senior housing, schools, and more.

Each system includes one (1) each:

Interior Station is a 3-button intercom station with an integrated speaker/microphone consisting of a 25C25Z45OT - 2.5" square frame loudspeaker with a 2.35 oz. ceramic magnet & resin impregnated phenolic, moisture resistant cone. An integrated intercom amplifier provides amplification, control and power circuits needed to operate the complete intercom system. The external 120V power supply is provided. Mounting bracket has a standard 1 & 2-gang center mounting configuration and a 7/8" access hole for 1/2" conduit. White powder coat finish with Black, printed legend (Talk, Listen, Door).



Interior Station



Exterior Station

Exterior Station is a 2-gang, vandal resistant, hands free communication, call-in station with an integrated speaker/microphone consisting of a 25C25Z45OT - 2.5" square frame loudspeaker with a 2.35 oz. ceramic magnet & resin impregnated phenolic, moisture resistant cone - and a momentary (normally open) push-to-call button with "CALL" engraved on the faceplate above it. Three (3) interwoven, steel security screens are mounted between the 12 guage brushed stainless steel faceplate and loudspeaker. Tamper resistant, 6-32 x 1" 'pin-in-torx' hardware included.

Exterior Enclosure is a SE7GVP - steel, vandal resistant, hooded surface mount enclosure. There are four (4) 6-32 threaded holes on a standard 2-gang center and the two (2) conduit entrances are each 7/8" for 1/2" conduit. Gray powder coat finish.

INTENDED USE - Indoor and Outdoor Environment

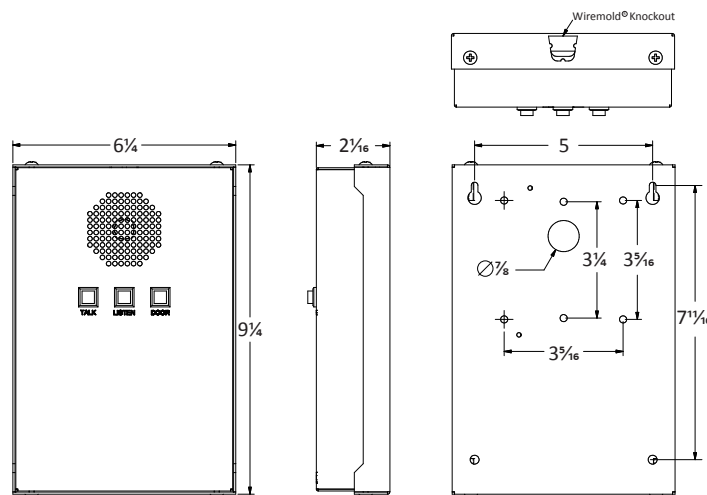
Program Material | Signal Tones and Voice

MECHANICAL SPECIFICATIONS

Electrical Access Interior Station : 1X Wiremold® Knockout, 7/8" Hole
 Exterior Station : 2X 1/2" Conduit Entrance

Power Supply (included) Interior Station : 120V A.C. Plug-In Transformer

Accessories Door Lock, Cabling - Sold Separately - Not Provided by Quam



AUDIO SPECIFICATIONS - Interior & Exterior Stations

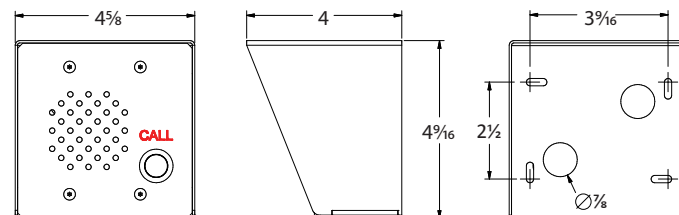
Average Sensitivity 87 dB SPL, 1W/1M

Magnet Type & Weight BeFe Ceramic, 2.35 oz. Nominal

Frequency Response 200 Hz - 8 kHz EIA 426A Standard

Nominal Coverage Angle 90° Included Angle, -6 dB / 2 kHz, Half space

Audio Connection Interior Station : Terminal Block Connector
 Exterior Station : 9-1/2" Leads, Pre-Cut



Recommended construction sequences, installation instructions, and A&E Specifications are available in various formats in the QUAM Architects' and Engineers' Resources section on the web at: www.QuamSpeakers.com				QUAM-NICHOLS COMPANY, INC. 234 East Marquette Rd. Chicago, IL. 60637 Tel: 1-800-NEED-NOW (800-633-3669) Fax: 1-888-NEED-NOW (888-633-3669) e-mail: NeedNow@QNC.com www.QuamSpeakers.com
© 2013 Quam-Nichols Company reserves the right to make changes and/or improvements to its products at any time and without notice.				