



Quam

**C5/BU/W**

**CEILING MOUNTED**

8" O.D. Loudspeaker with a 5 oz. magnet, 5W-25/70V Transformer, Screw-Mount Baffle

**GENERAL DESCRIPTION**

The C5/BU/W consists of an 8C5PAX - 8" O.D. dual cone loudspeaker with a 5 oz. magnet, TBLU - 5W-25/70V transformer, and a BR8W - round, screw-mount baffle in a white powder coat finish.

**INTENDED USE - Indoor Environment**

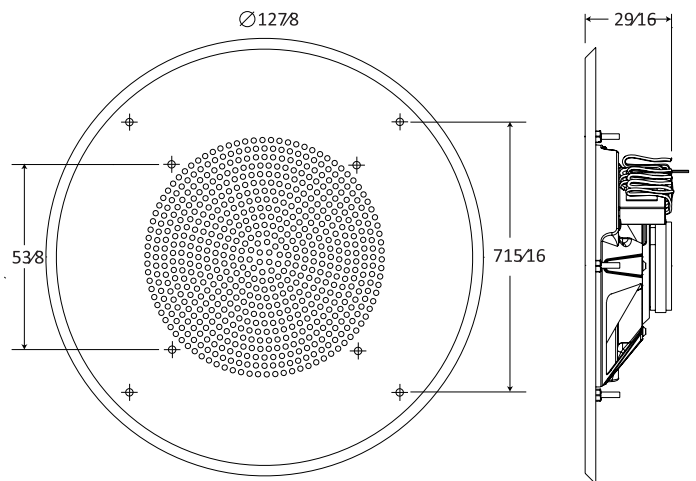
Program Material | Signal tones, voice, and music

**AUDIO SPECIFICATIONS**

Average Sensitivity	92 dB SPL, 1W/ 1M
Loudspeaker Power Rating	12W RMS, EIA 426A Standard
Maximum Power Rating	15W @ 8 Ohms
Calculated Output	99 dB SPL, 5W/ 1M
Magnet Type & Weight	BeFe Ceramic, 5 oz. Nominal
Frequency Response	65 Hz - 17 kHz EIA 426A Standard
Nominal Coverage Angle	100° Included Angle, -6 dB / 2 kHz, Half space
Audio Connection	7" Color-Coded Leads

**RECOMMENDED QUAM COMPONENTS**

Enclosures	ERD-8, ERD8U
Mounting Device	SSB-2, SSB-3, SSB-7



<p>Recommended construction sequences, installation instructions, and A&amp;E Specifications are available in various formats in the QUAM Architects' and Engineers' Resources section on the web at: <a href="http://www.QuamSpeakers.com">www.QuamSpeakers.com</a></p>				<p>QUAM-NICHOLS COMPANY, INC.                  234 East Marquette Rd.                  Chicago, IL. 60637                  Tel: 1-800-NEED-NOW (800-633-3669)                  Fax: 1-888-NEED-NOW (888-633-3669)                  e-mail: <a href="mailto:NeedNow@QNC.com">NeedNow@QNC.com</a>  <a href="http://www.QuamSpeakers.com">www.QuamSpeakers.com</a></p>
<p>© 2013 Quam-Nichols Company reserves the right to make changes and/or improvements to its products at any time and without notice.</p>				