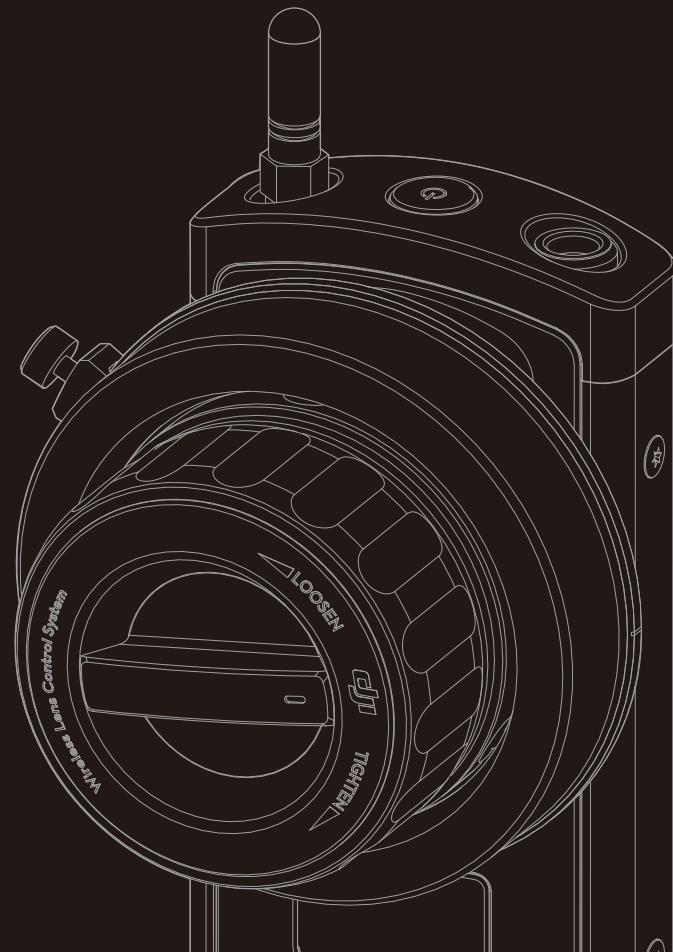


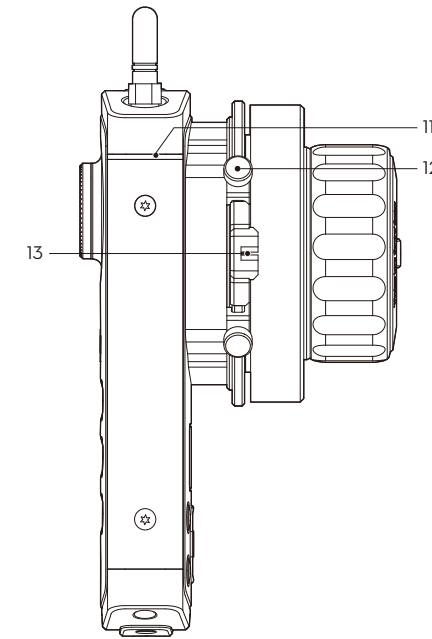
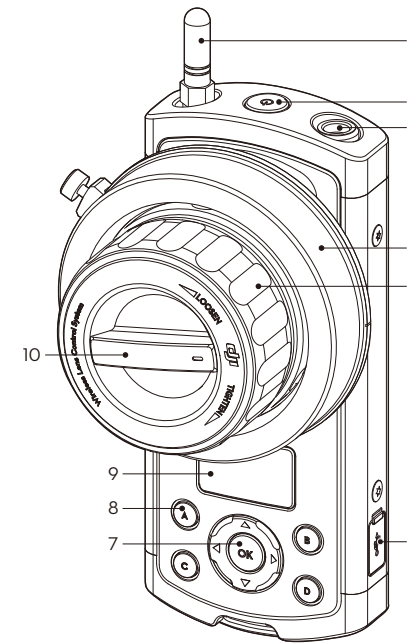
# DJI FOCUS

Quick Start Guide

V1.2



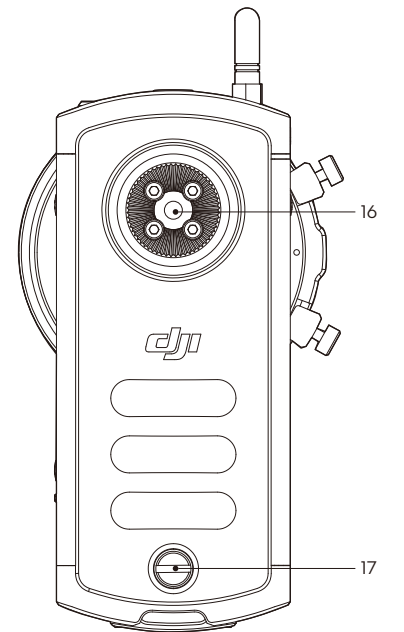
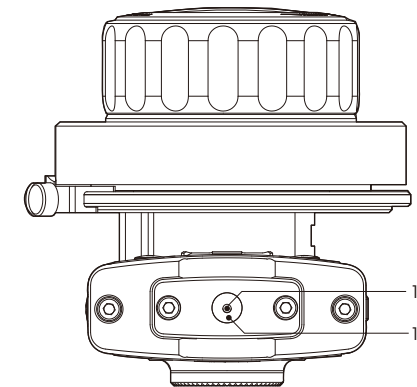
## DJI Focus Diagram



## Remote Controller

1. Antenna
2. Power Button
3. Communication Port
4. Marking Ring
5. Focus Wheel
6. Micro USB Port
7. Navigation Buttons
8. Quick Focus Buttons
9. OLED Screen
10. Stiffness Control
11. System Status LED
12. Hard Stop Screws
13. Backlight

14. Link Button
15. Lanyard Hole
16. Rosette Mount
17. Rear Screw

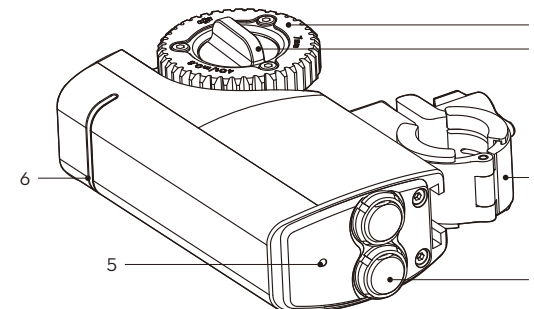


# DJI FOCUS

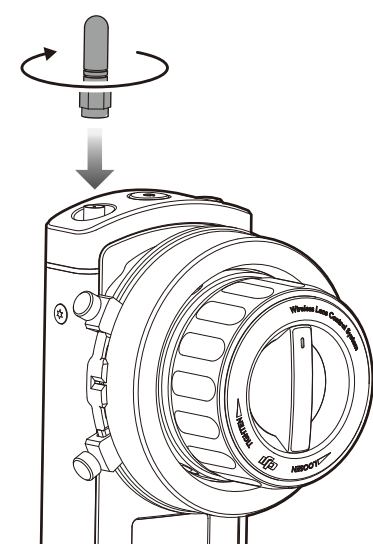
[www.dji.com](http://www.dji.com)

## Motor

1. Gear
2. Gear Knob
3. Quick-Release Mount
4. Communication Ports
5. Link Button
6. System Status Indicator



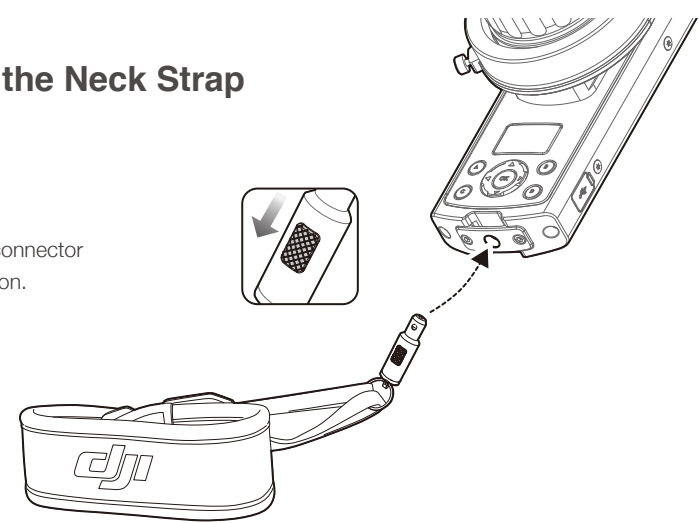
### 1 Install the Antenna



Screw on the antenna.

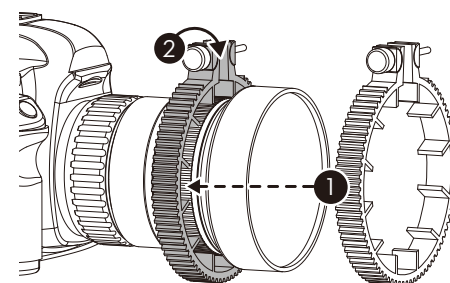
### 2 Attach the Neck Strap

Insert the neck strap connector while pulling on the button.



• Ensure the neck strap is attached securely.

### 3 Mount the Lens Gear Ring

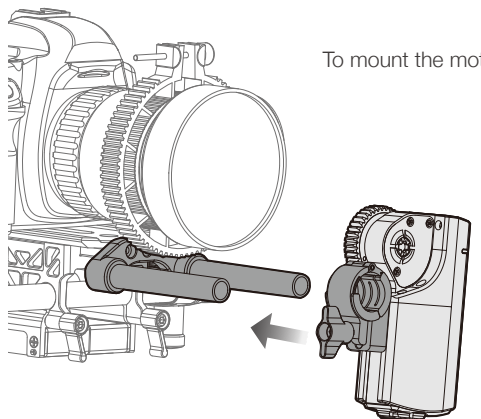


Mount the lens gear ring if you are not using a cinema lens with gear rings.

1. Choose the lens gear ring that best fits your camera lens.
2. Tighten the screw.

• Ensure that the lens gear ring and camera lens make good contact.  
• Ensure the lens gear ring screw is installed properly to allow an unobstructed full range of motion.

### 4 Mount the Motor

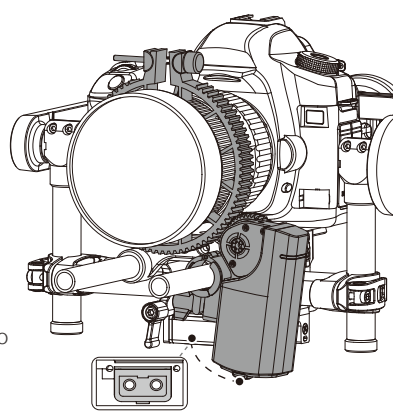


To mount the motor onto your camera support rod:

1. Loosen the knob on the quick-release mount and slide the motor onto the support rod.

• The motor gear can be mounted on either side of the motor. To remove the gear, loosen the knob at the center of the gear.  
• The motor supports a 15 mm rod diameter by default. To mount it on a 19 mm rod, slide the step-down adapters off the clamp.

2. Tighten the knob, ensuring that the motor gear and lens gear ring make good contact.
3. Connect the communication port on the motor to an external power source using the supplied power cable. If you are using the Ronin-M, connect the motor to the P-TAP Accessory power port on the Ronin-M.



Motor Power Cable

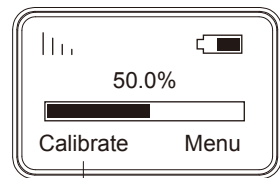
DJI Focus can work in wireless mode or cable mode. To use cable mode, connect the communication ports on the remote controller and motor using the data cable.

• Ensure the motor is mounted firmly.  
• DO NOT touch the motor when it is rotating.  
• Cable mode will take precedence over wireless mode.

### 5 Calibrate the Motor

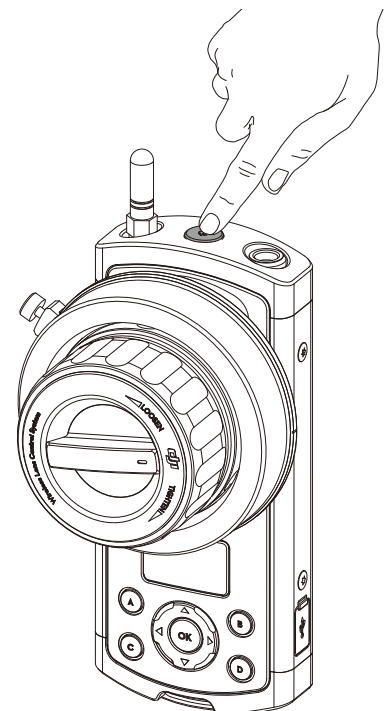
Turn on the remote controller by holding down the power button for 2 seconds.

If your camera lens has mechanical limits, use Auto calibration. Otherwise, use Manual-Remote or Manual-Hand calibration.



**Auto**  
Select **Calibrate > Auto** (Shortcut: Press the 'A' and 'B' buttons together). The motor gear will rotate in both directions in turn to locate the mechanical limits of your camera lens. When the calibration is complete, select **Back** to apply the calibration or **Stop** to cancel.

**Manual-Remote**  
Select **Calibrate > Manual-Remote > Start** to begin. Press the up arrow to rotate the lens in one direction, and select **OK** when it reaches the desired upper limit. Next, press the down arrow to rotate the lens in the other direction, and select **OK** when it reaches the desired lower limit.

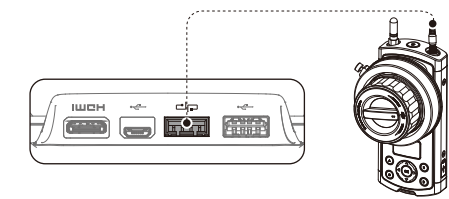


**Manual-Hand**  
Select **Calibrate > Manual-Hand > Start** to begin. Rotate the lens manually to the desired upper and lower limits of your camera lens, and select **OK** to confirm the limits.

• The motor will automatically reserve a 1mm margin at both mechanical limits for protection.

### Used with the Zenmuse X5

DJI Focus is fully compatible with the Zenmuse X5 series gimbal and camera. To allow communication between the two devices, connect the communication port on the Focus remote controller to the CAN Bus port on the Inspire 1 remote controller using the dedicated CAN Bus cable.

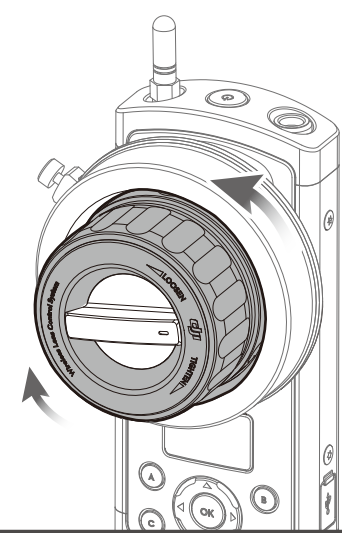


Select **Menu > Aperture > On** to enable the Aperture Control. To switch from focus control to aperture control, press the 'D' button and then follow the instructions in the DJI GO app to operate the focus wheel.

• Ensure that the Zenmuse X5 camera is set in AF mode.  
• The remote controller overrides the in-app controls. You will not be able to adjust the focus or aperture in the DJI GO app.  
• You can purchase the dedicated CAN Bus cable on the DJI Store.

### Basic Operation

Turn the focus wheel to control the focus, zoom or iris of your camera lens.



Refer to the user manual for more information.  
<http://www.dji.com/product/focus>  
\*This Quick Start Guide is subject to change without prior notice.