



# Quam

## BAFFLES

# BR8VP

### VANDAL RESISTANT

For 8" O.D. Speaker, Round, Vandal Resistant,  
Stud Mount, Steel

### GENERAL DESCRIPTION

The **BR8VP** is a round, stud mount, vandal resistant, steel baffle for 8" O.D. loudspeakers in a White powder coat finish. Welded studs on the back surface are 8-32 x 1"

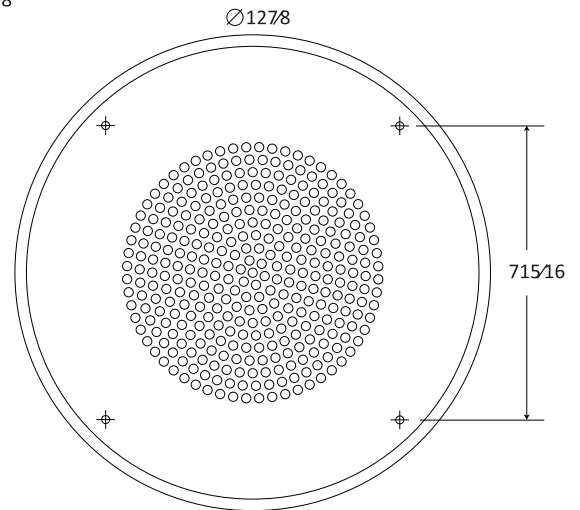
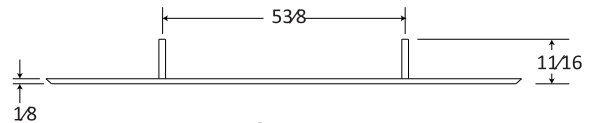
The **BR8VP** is supplied with a steel interwoven security screen to be mounted between the baffle and loudspeaker. Four (4) 8-32 x 1" 'pin-in-hex' mounting screws are also included.

### INTENDED USE - Indoor or Protected Outdoor Environment

**Compatibility** | For use with Quam 8" O.D. loudspeakers and related components.

### RECOMMENDED QUAM COMPONENTS

<b>Loudspeakers</b>	Quam 8" O.D. Loudspeakers
<b>Enclosure</b>	ERD-8, ERD8U
<b>Mounting Device</b>	SSB-2, SSB-3, SSB-7



Recommended construction sequences, installation instructions, and A&E Specifications are available in various formats in the QUAM Architects' and Engineers' Resources section on the web at: [www.QuamSpeakers.com](http://www.QuamSpeakers.com)

© 2013 Quam-Nichols Company reserves the right to make changes and/or improvements to its products at any time and without notice.



QUAM-NICHOLS COMPANY, INC.  
234 East Marquette Rd.  
Chicago, IL. 60637  
Tel: 1-800-NEED-NOW (800-633-3669)  
Fax: 1-888-NEED-NOW (888-633-3669)  
e-mail: [NeedNow@QNC.com](mailto:NeedNow@QNC.com)  
[www.QuamSpeakers.com](http://www.QuamSpeakers.com)