

▶ **65UH5B**

65" class (64.5" diagonal)

▶ **55UH5B**

55" class (54.6" diagonal)

▶ **49UH5B**

49" class (48.5" diagonal)

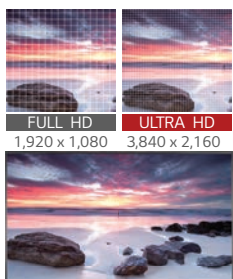


The UH5B Series with webOS signage, allows for customized apps that are easy to create using LG's Software Development Kit. The built-in Wi-Fi and SoC reduces total cost of ownership, simplifies installation, and managing content is easy and convenient.

KEY FEATURES

ULTRA HD RESOLUTION (3840X2160)

Excellent energy-efficiency and cost-savings with the M+ panel*, which decreases power consumption by 31% compared to an RGB panel.



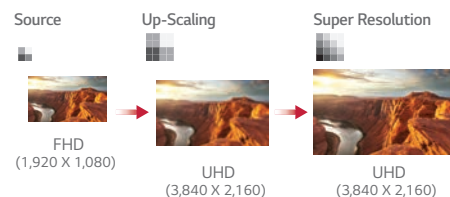
High Efficiency Video Coding

Supports HEVC-based content which has the double data compression ratio than the H.264 so network traffic can be reduced by half.



Up-Scaling and Super Resolution

Up-scaling and Super Resolution technology enhance the quality of FHD content to near-UHD quality.



LOW POWER CONSUMPTION BY M+

Excellent energy-efficiency and cost-savings with the M+ panel*, which decreases power consumption by 31% compared to an RGB panel.



SoftAp

The UH5B with SoftAp software can operate as a wireless access point for mobile devices.



MIRRORING

Content sharing is convenient through a Wi-Fi network.





QUAD CORE SOC (SYSTEM-ON-CHIP)

The High Performance SoC can execute several tasks at the same time and provides smooth content playback



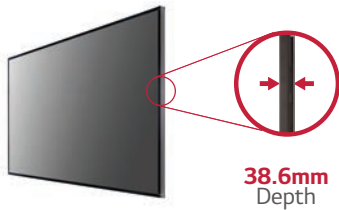
EASY MAINTENANCE WITH REAL TIME REMOTE MONITORING

When an alarm occurs, an e-mail notification is sent using SuperSign C or SI SW through the SNMP Protocol. In case of malfunctions or errors, real-time remote care is available



SLIM DESIGN | NARROW BEZEL

LG's monitors featuring a Direct-LED Backlight, have a stylishly slim design that fit perfectly into narrow spaces while ensuring high energy efficiency. The slim bezels are a perfect fit in confined areas and are easy to install.



webOS LG's webOS enabled displays feature an all-in-one hardware and software platform that allows software developers to install and run their software in a more simplified solution. This approach offers architecture that enables easy-to-build web-based apps across multiple platforms. This approach offers software architecture, including iOS®, Android® and Windows®. Using LG's SDK, integrators can construct their own ideal customized signage solution for their clients.



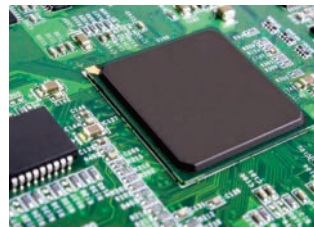
Run messages on up to 50 display screens in the form of a billboard without any additional hardware. Advertisements, information and broadcast content can be arranged on the same screen to attract attention and deliver specific messaging to your customer base.

LG SuperSign Lite Usage Example
Different layout and designs available.

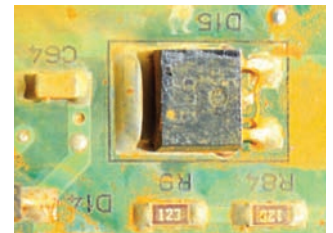


CONFORMAL COATING

Conformal coating helps protect against water, dust and iron powder deposits which accumulate in harsh environments, saving on expensive installation and added enclosure costs.



With Conformal Coating



Without Conformal Coating

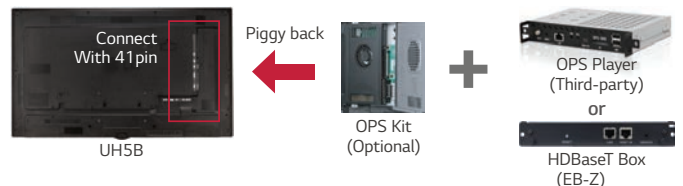
BEACON CONVENIENT SUPPORT

With BEACON and Bluetooth Low Energy (BLE) supported by UH5B, retail stores can provide coupons and information in real-time.

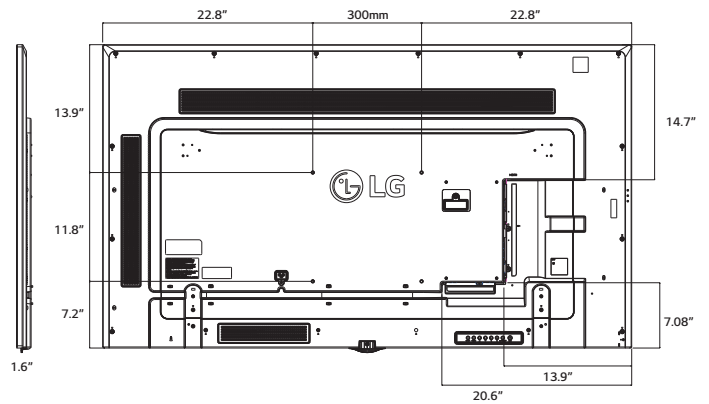
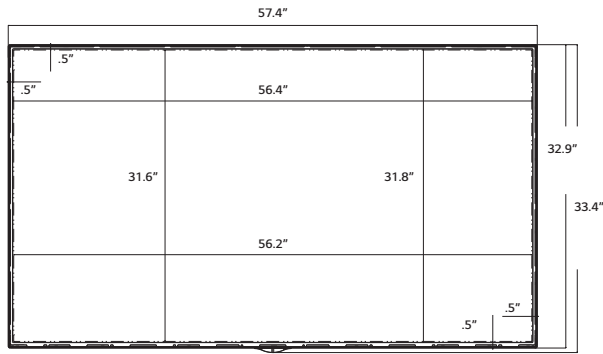


OPS (OPEN PLUGGABLE SPECIFICATION) KIT / HDBASET BOX

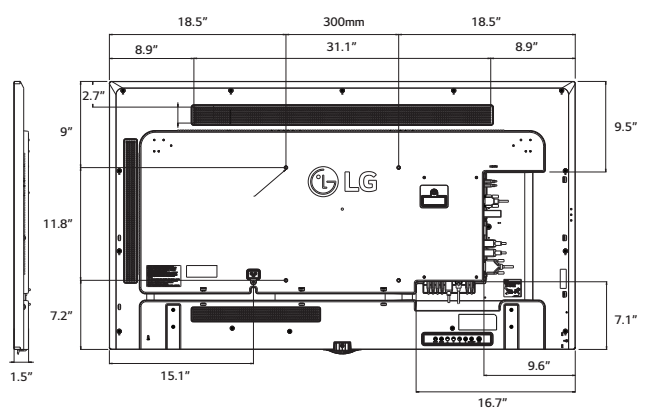
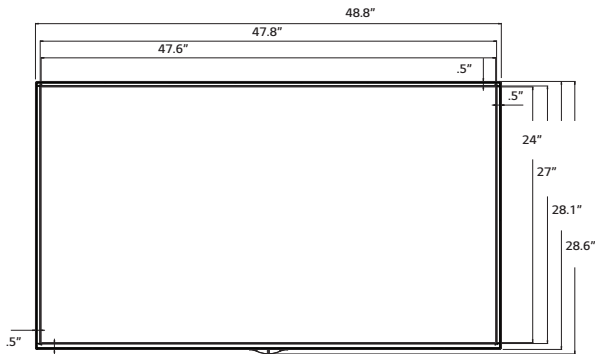
The UH5B provides an OPS Kit to connect a third-party OPS player or HDBaseT box. Users have the flexibility to choose any media player as long as it complies with OPS.



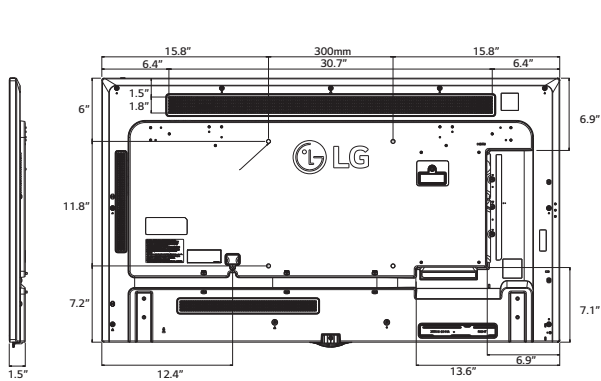
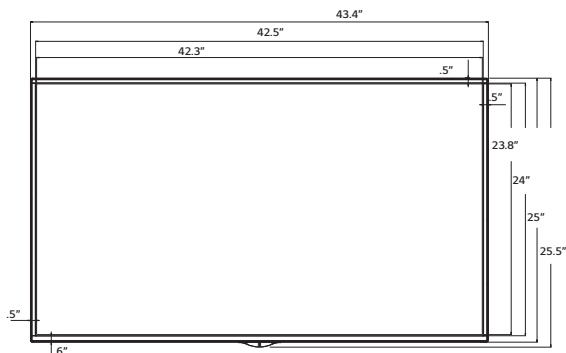
65UH5B



55UH5B

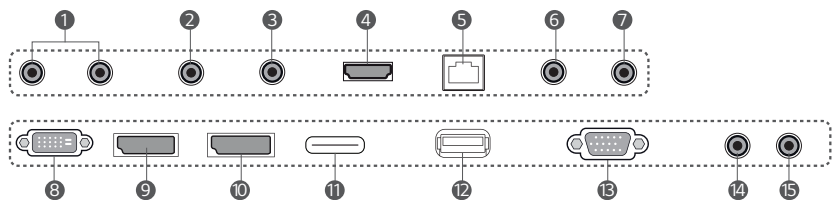


49UH5B



- ① SPEAKER OUT
- ② IR & LIGHT SENSOR
- ③ PIXEL SENSOR
- ④ HDMI
- ⑤ LAN
- ⑥ AUDIO IN
- ⑦ AUDIO OUT
- ⑧ DVI-D IN
- ⑨ DP IN
- ⑩ DP OUT
- ⑪ SD Card
- ⑫ USB 3.0
- ⑬ RGB IN
- ⑭ RS-232C IN
- ⑮ RS-232C OUT

65/55/49UH5B Rear Jack Pack



UH5B

Ultra HD Smart Platform

▶ **65UH5B**

65" class
(64.5" diagonal)

▶ **55UH5B**

55" class
(54.6" diagonal)

▶ **49UH5B**

49" class
(48.5" diagonal)

PANEL	Model	65UH5B	55UH5B	49UH5B
PANEL	Screen Size	65" class (64.5" diagonal)	55" class (54.6" diagonal)	49" class (48.5" diagonal)
	Panel Technology	IPS		
	Aspect Ratio	16 : 9		
	Native Resolution	3840 x 2160 (UHD)		
	Pixels (H x V x 3)	24,883,200		
	Brightness	500cd/m ²		
	Contrast Ratio	1,000:1		
	Dynamic CR	4,000,000:1		
	Color Gamut	68%		
	Viewing Angle (H x V)	178° x 178°		
	Color Depth	1.06 Billion		
	Response Time	8ms (G to G)		
	Surface Treatment	Low Haze 1%		
	Life Time (Typical)	50,000 Hrs		
	Operation Hours	24 Hr		
INPUT	Orientation	Portrait & Landscape		
	HDMI	Yes (1), HDMI / HDCP2.2		
	DP	Yes (1), DP / HDCP1.3		
	DVI-D	Yes (1), HDCP2.2		
	RGB	Yes (1)		
	Audio In	Yes (1), RGB/DVI		
	RS232C IN	Yes (1)		
	RJ45	Yes (1)		
	IR Receiver	Yes (1)		
	Pixel Sensor	Yes (1)		
	USB (USB3.0)	Yes (1)		
	SD Card	Yes (SDHC/Full Size)		
	HDTV Formats	HDMI : 720p, 1080i, 1080p, 2160p		
	DP Out	Yes (1), SST/DP1.2a		
	OUTPUT	Audio Out	Yes (1)	
External Speaker Out		Yes (L/R), 6 ohm		
RS232C OUT		Yes (1)		
SPECIAL FEATURES	Temperature Sensor	Yes		
	Auto Brightness Sensor	Yes		
	Cooling FAN	No		
	Tile Mode	Yes (Up to 15x15)		
	Natural Mode @Tile Mode	Yes		
	Source Selection	RGB, HDMI, DVI, DP, OPS, USB, SD Card		
	Brightness/Contrast/Backlight	Yes		
	Position/Size	Yes		
	Auto Config/Phase	Yes		
	Language (OSD)	English, French, German, Spanish, Italian, Korean, Chinese (Simplified), Chinese (Original), Portuguese (Brazil), Swedish, Finnish, Norwegian, Danish, Russian, Japanese, Portuguese (Europe), Dutch, Czech, Greek		
	ISM Method	Normal, White Wash, Color Wash, User image, User Video, Orbiter Inversion, Washing Bar * Scheduling is supported additionally		
	Advanced Time	Dynamic Contrast, Dynamic Color, Color Gamut, Skin Color, Sky Color, Grass color, Gamma Clock, On/Off Timer, Auto Off, Automatic Standby		
	Input Label	Yes (PC/DTV)		
	Power On Status	Standby, PWR, LST		
	Key Operation	IR operation, Local key operation		
DPM Select	Yes			
DPM Wake Up	Yes (Analog: Sync only, Digital: Clock / Clock+Data selectable)			
Energy Saving	Yes (Auto, Minimum, Medium, Maximum, Screen off)			
Smart Energy Saving	Yes			
File Play With USB	Yes			
Internal Memory	8GB (System 4GB + Available 4GB)			
Wi-Fi	802.11n combo built-in			
USB Cloning	Logo image download, Sent to USB, Receive from USB			
Contents Scheduling	USB, Internal memory, SD Card			
Calibration Mode	Yes			
DST	Yes			
Sync Mode	Time sync, Content sync			
PM Mode	Yes			
Framework Update (LAN)	Yes			
Local Time Auto Setting	Yes			
SPECIAL FEATURES	Model	65UH5B	55UH5B	49UH5B
SPECIAL FEATURES	Overlay Touch	Yes (*15.May)		
	Still Image	Yes		
	HDMI-CEC	Yes		
	Wake On LAN	Yes		
	Digital Audio Input	Yes		
	Power On Delay	0 - 250		
	Pivot Mode	Yes		
	Content Rotation	0,90, 270		
	OSD Portrait Mode	0,90, 270		
	Intelligent Auto	Yes		
	Password Change	Yes		
	SetID Setup	Manual, Auto		
	Configuration Setup	USB auto Playback		
	Lock Mode	USB		
	Fail Over	USB, SD card, RGB, DP, OPS, DVI, HDMI, Internal Memory		
SuperSign Server Setup	Signage name, Server IP setting, Server IP Status			
Media Share	Mirroring, SoftAP			
Beacon	On/Off			
Embedded Template	Yes			
Check Screen	Yes			
OPS PC Power Control	Sync On, Sync On/Off, Disable			
ENVIRONMENT CONDITIONS	Operation Temperature	32 °F to 104 °F		
	Operation Humidity	10 % to 80 %		
POWER	Power Supply	100-240V~, 50/60Hz		
	Power Type	Built-In Power		
	Typical	130W	116W	100W
Smart Energy Saving	90W	80W	70W	
AUDIO	DPM	0.5W		
	Power Off	0.5W		
	Balance	Yes		
	Audio Power	20W (10W x 2) for External Speaker		
	Speaker On/Off	Yes		
CERTIFICATION	Clear Voice II	Yes		
	Virtual Surround Plus	Yes		
	Equalizer	Yes		
	Sound Mode	Standard, News, Music, Cinema, Sports, Game		
	Safety / EMC / ErP / ENERGY STAR ®	UL / cUL / CB / TUV / KC FCC Class "A" / CE / KCC No / No (ENERGY STAR® Qualified)		
MEDIA PLAYER COMPATIBILITY	OPS Type Compatible	Yes		
	External Media Player	Yes (MP500/MP700)		
SOFTWARE COMPATIBILITY	SuperSign-w lite	Yes		
	SuperSign-c	Yes		
CABINET	Bezels Color	Black		
	Bezel Width	12.1mm (T), 12.6mm (R/L), 15.7mm (B)		11.9mm (T), 12.4mm (R/L), 15.5mm (B)
	WxHxD	57.4" x 33.4" x 1.6"	48.8" x 28.6" x 1.5"	43.4" x 25.5" x 1.5"
	Weight	57.3lbs	36.6lbs	29.3lbs
	w/Optional Stand WxHxD	57.4" x 36.0" x 12.4"	48.8" x 31.1" x 11.7"	43.4" x 28.1" x 11.7"
	w/Optional Stand Weight	60.4lbs	39.9lbs	32.6lbs
	w/Optional Stand & Speakers (WxHxD)	57.4" x 36.1" x 12.4"	48.8" x 31.1" x 11.7"	43.4" x 28.1" x 11.7"
	w/Optional Stand & Speakers Weight	61.9lbs	41.4lbs	34.2lbs
	Carton (WxHxD)	61.5" x 38.2" x 7.5"	52.4" x 31.8" x 6.7"	47.1" x 29.9" x 6.5"
	Carton Weight	TBD	45.2lbs	36.6lbs
VESA™ Compatible	300 mm x 300 mm			
ACCESSORIES	Basic	Remote Controller (include battery 2ea), Power Cord, QSG, RGB Cable, Regulation Book, Phone to RS232C Gender, Memory cover		
	Optional	Speaker (SP-5200), Stand (ST-651T), Pixel sensor (KT-SPO), Media player, Wall bracket (LSW350B), VESA Adapter (AM-B330S), OPS Kit (KT-OPSA), HD Base T (EB-B100)		
OTHER	UPC	7 19192 19847 0	7 19192 19846 3	7 19192 19845 6
WARRANTY	3-Year Limited Warranty Parts/Labor/Backlight Extended warranty options are also available			



LG Electronics U.S.A., Inc.
HE B2B Division
2000 Millbrook Drive
Lincolnshire, IL 60069

Customer Service: 888.865.3026
www.LGSolutions.com/support

Contact your LG Regional Sales Representative:
Channel: 800.897.8871
Hospitality: 800.228.1236
E-mail: info@LGSolutions.com

SPEC_UH5B_061652_PR



All screen images are simulated. Dimensions and weights are approximate. Design, specifications, and features subject to change without notice.

© Copyright 2016 LG Electronics USA, Inc. All Rights Reserved. "LG Life's Good" is a registered trademark of LG Corp.

ENERGY STAR is a registered trademark of the U.S. Environmental Protection Agency. In Plane Switching is a trademark of LG Philips LCD Ltd. VESA is a trademark of Video Electronics Standards Association. HDMI, the HDMI logo and High-Definition Multimedia Interface are trademarks or registered trademarks of HDMI Licensing LLC.

All other product and brand names are trademarks or registered trademarks of their respective companies.

Printed in the USA. June 2016