



Date: _____
Type: _____
Firm Name: _____
Project: _____



ColorReach Powercore gen2

RGB, 23° Spread Lens, UL/CE

Premium long-throw exterior LED floodlight with intelligent color light

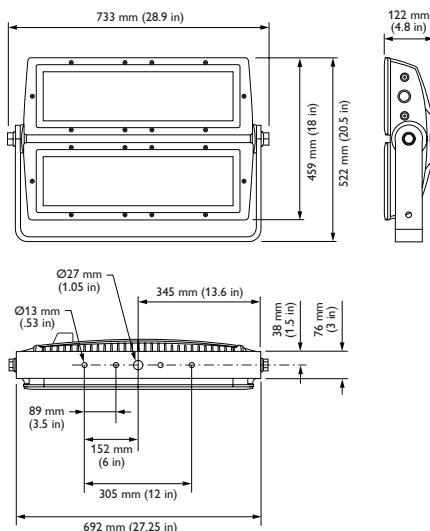
ColorReach Powercore gen2 high-performance LED fixtures are premium exterior long-throw dynamic colorchanging luminaires for lighting tall buildings, bridges, and iconic structures. ColorReach Powercore gen2 offers a range of accessories that allow for customizable beam angles for floodlighting, spotlighting, wall washing, and grazing, along with the efficiency and cost-effectiveness of Powercore technology in a rugged die-cast aluminum housing.

ColorReach Powercore gen2

Premium long-throw exterior LED floodlight with intelligent color light

- Improved color mixing—Updated ColorReach Powercore gen2 provides more punch and light quality for exterior long throw applications. End users will appreciate the clean mixed beam with higher application efficiency, allowing placement of light exactly where desired.
 - Unparalleled light output—ColorReach Powercore gen2 offers unprecedented output and punch for LED-based illumination of large-scale structures and objects.
 - Expanded customization with a wide range of new Philips accessory options. To complement the native 5° lens, six standard secondary spread lenses can customize the fixture to produce 8°, 13°, 23°, 43°, 63°, and 5° x 17° (asymmetric) beam angles. The option to add or combine a louver, full glare shield, or half glare shield creates new aesthetic possibilities for designers and architects.
 - Superior color consistency and accuracy— Optibin, an advanced binning algorithm, sets a new standard for the color consistency and uniformity of LED sources used in manufacturing.
 - Integrates patented Powercore gen2 technology that controls power output to fixtures directly from line voltage—rapidly, efficiently, and accurately. The Philips Color Kinetics Data Enabler Pro merges line voltage with control data and delivers them to fixtures over a single standard cable, dramatically simplifying installation and lowering total system cost.
 - Simple fixture positioning—Rugged, slim-profile mounting bracket allows simple positioning and fixture rotation through a full 360°. Side locking bolts reliably secure fixture with a standard wrench.
 - Universal power input range of 100 – 277 VAC.
 - Works seamlessly with the complete Philips Color Kinetics line of controllers, including ColorDial Pro, iPlayer 3, and Light System Manager—as well as third-party controllers.
- For detailed product information, please refer to the ColorReach Powercore gen2 Product Guide at www.colorkinetics.com/lc/rgb/colorreach/

Dimensions



Specifications

Due to continuous improvements and innovations, specifications may change without notice.

Date: _____

Type: _____

Firm Name: _____

Project: _____

ColorReach Powercore gen2

RGB, 23° Spread Lens, UL/CE

Output

Beam Angle	23°
Lumens†	4111
Lumens (no spread lens, full unit)	9380
Efficacy (lm/W)	30.2
Efficacy (lm/W)	34.7
LED Channels	Red/Green/Blue

Electrical

Input Voltage 100–277 VAC, auto-ranging, 50/60 Hz

Power Consumption 270 W
(Maximum at full output, steady state)

Control

Interface Data Enabler Pro (DMX/Ethernet)

Control System Philips Color Kinetics full range of controllers, including Light System Manager, Video System Manager Pro, iPlayer 3, Antumbra iColor Keypad, and ColorDial Pro, or third-party controllers

ActiveSite ActiveSite Ready

Lumen Maintenance

Threshold§	Ambient Temperature	Reported¶	Calculated¶
L ₇₀	25° C		100000
	50° C		100000

Physical

Dimensions 522 x 733 x 158 mm (20.5 x 28.9 x 6.2 in)
(Height x Width x Depth)

Weight 34 kg (75 lb)

Effective Projected Area (EPA) 0.420 m²

Housing Material Die-cast aluminium, powder-coated finish

Lens Tempered glass

Fixture Connections Integral male/female waterproof connectors

Temperature Ranges -40° – 50° C (-40° – 122° F) Operating
-20° – 50° C (-4° – 122° F) Startup
-40° – 80° C (-40° – 176° F) Storage

Mechanical Impact IK07

Humidity 0 – 95%, non-condensing

Fixture Run Length To calculate fixture run lengths and total power consumption for your specific installation, download the Configuration Calculator from www.philipscolorkinetics.com/support/install_tool/

Certification and Safety

Approbation UL/cUL, CE, FCC Class A, PSE

Environment Dry/Damp/Wet Location, IP66



† Lumen measurement complies with IES LM-79-08 testing procedures.

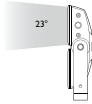
§ L_{xx} = xx% lumen maintenance (when light output drops below xx% of initial output). All values are given at B10, or the median value where 90% of the LED population is better than the reported or calculated lumen maintenance measurement.

¶ Lumen maintenance figures are based on lifetime prediction graphs supplied by LED source manufacturers. Whenever possible, figures use measurements that comply with IES LM-80-08 testing procedures. In accordance with TM-21-11, Reported values represent the interpolated value based on six times the LM-80-08 total test duration (in hours). Calculated values represent time durations that exceed six times the total test duration.

ColorReach Powercore gen2 Photometrics 23° Spread Lens, half unit

Photometric data is based on test results from an independent NIST traceable testing lab. IES data is available at www.philipscolorkinetics.com/support/ies.

Beam Angle	23°
LED	RGB
Lumens	4111
Efficacy (lm/W)	30.2



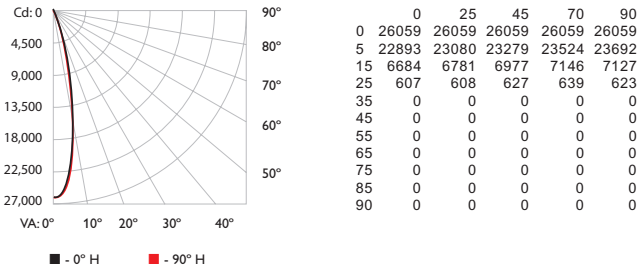
Illuminance at Distance

	Center Beam fc	Beam Width
4 ft	1,629 fc	1.5 ft
8 ft	407 fc	3.0 ft
12 ft	181 fc	4.6 ft
16 ft	102 fc	6.1 ft
20 ft	65 fc	7.6 ft
24 ft	45 fc	9.1 ft

161.5 ft (49.2 m)
1 fc maximum distance

■ Vert. Spread: 21.6°
■ Horiz. Spread: 21.6°

Polar Candela Distribution



Zonal Lumen

Zone	Lumens	% Luminaire
0-30	4,109.0	99.9%
0-40	4,111.2	100.0%
0-60	4,111.2	100.0%
0-90	4,111.2	100.0%
60-90	0.0	0.0%
70-100	0.0	0.0%
90-120	0.0	0.0%
90-180	0.0	0.0%
0-180	4,111.2	100.0%

Coefficients Of Utilization - Zonal Cavity Method

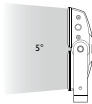
RCC %:	Effective Floor Cavity Reflectance: 20%																	
	80	70			50			30			10	0						
RW %:	70	50	30	0	70	50	30	0	50	30	20	50	30	20	50	30	20	0
0	1.19	1.19	1.19	1.19	1.16	1.16	1.16	1.00	1.11	1.11	1.11	1.06	1.06	1.06	1.02	1.02	1.02	1.00
1	1.16	1.14	1.12	1.10	1.13	1.11	1.10	0.98	1.08	1.06	1.05	1.04	1.03	1.02	1.01	1.00	0.99	0.98
2	1.12	1.09	1.06	1.04	1.10	1.07	1.05	0.96	1.04	1.02	1.01	1.02	1.00	0.99	0.99	0.98	0.97	0.95
3	1.09	1.05	1.02	1.00	1.08	1.04	1.01	0.94	1.02	0.99	0.97	0.99	0.97	0.96	0.97	0.96	0.94	0.93
4	1.04	1.02	0.98	0.96	1.05	1.01	0.98	0.92	0.99	0.96	0.94	0.97	0.95	0.93	0.96	0.94	0.92	0.91
5	1.04	0.99	0.95	0.93	1.03	0.98	0.95	0.90	0.97	0.94	0.92	0.95	0.93	0.91	0.94	0.92	0.90	0.89
6	1.02	0.96	0.93	0.90	1.01	0.96	0.92	0.88	0.94	0.92	0.89	0.93	0.91	0.89	0.92	0.90	0.88	0.87
7	0.99	0.94	0.90	0.88	0.98	0.93	0.90	0.86	0.92	0.89	0.87	0.91	0.89	0.87	0.90	0.88	0.86	0.86
8	0.97	0.92	0.88	0.86	0.96	0.91	0.88	0.85	0.90	0.87	0.85	0.90	0.87	0.85	0.89	0.86	0.85	0.84
9	0.95	0.90	0.86	0.84	0.95	0.89	0.86	0.83	0.89	0.86	0.84	0.88	0.85	0.83	0.87	0.85	0.83	0.82
10	0.93	0.88	0.84	0.82	0.93	0.87	0.84	0.81	0.87	0.84	0.82	0.86	0.84	0.82	0.86	0.83	0.82	0.81

For lux multiply fc by 10.7

ColorReach Powercore gen2 Photometrics 5° Spread Lens, full unit

Photometric data is based on test results from an independent NIST traceable testing lab. IES data is available at www.philipscolorkinetics.com/support/ies.

Beam Angle	5°
LED	RGB
Lumens (no spread lens, full unit)	9380
Efficacy (lm/W)	34.7



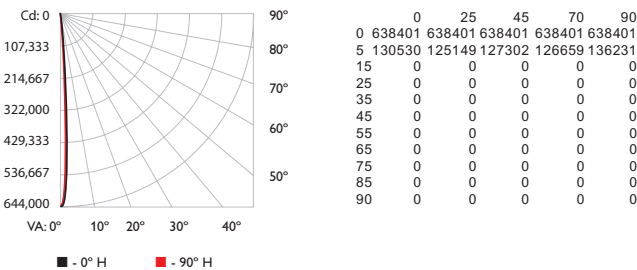
Illuminance at Distance

	Center Beam fc	Beam Width
4 ft	39,900 fc	0.5 ft 0.4 ft
8 ft	9,975 fc	0.9 ft 0.9 ft
12 ft	4,433 fc	1.4 ft 1.3 ft
16 ft	2,494 fc	1.9 ft 1.8 ft
20 ft	1,596 fc	2.4 ft 2.2 ft
24 ft	1,108 fc	2.8 ft 2.6 ft

800 ft (243.8 m)
1 fc maximum distance

■ Vert. Spread: 6.8°
■ Horiz. Spread: 6.3°

Polar Candela Distribution



Zonal Lumen

Zone	Lumens	% Luminaire
0-30	9,687.6	100.0%
0-40	9,687.6	100.0%
0-60	9,687.6	100.0%
0-90	9,687.6	100.0%
60-90	0.0	0.0%
70-100	0.0	0.0%
90-120	0.0	0.0%
90-180	0.0	0.0%
0-180	9,687.6	100.0%

Coefficients Of Utilization - Zonal Cavity Method

RCC %:	Effective Floor Cavity Reflectance: 20%																	
	80	70			50			30			10	0						
RW %:	70	50	30	0	70	50	30	0	50	30	20	50	30	20	50	30	20	0
0	1.19	1.19	1.19	1.19	1.16	1.16	1.16	1.00	1.11	1.11	1.11	1.06	1.06	1.06	1.02	1.02	1.02	1.00
1	1.17	1.15	1.14	1.13	1.14	1.13	1.12	1.00	1.09	1.08	1.08	1.06	1.05	1.05	1.02	1.02	1.02	1.00
2	1.15	1.12	1.11	1.09	1.13	1.11	1.09	1.00	1.08	1.07	1.05	1.05	1.04	1.03	1.03	1.02	1.01	1.00
3	1.13	1.10	1.08	1.06	1.12	1.09	1.07	1.00	1.07	1.05	1.04	1.05	1.03	1.02	1.03	1.02	1.01	1.00
4	1.12	1.09	1.06	1.05	1.11	1.08	1.06	1.00	1.06	1.04	1.03	1.04	1.03	1.02	1.03	1.02	1.01	1.00
5	1.11	1.07	1.05	1.04	1.10	1.07	1.05	1.00	1.05	1.04	1.02	1.04	1.03	1.02	1.03	1.02	1.01	1.00
6	1.10	1.07	1.04	1.03	1.09	1.06	1.04	1.00	1.05	1.03	1.02	1.04	1.02	1.01	1.03	1.02	1.01	1.00
7	1.09	1.06	1.04	1.02	1.08	1.05	1.03	1.00	1.04	1.03	1.01	1.04	1.02	1.01	1.03	1.02	1.01	1.00
8	1.08	1.05	1.03	1.02	1.08	1.05	1.03	1.00	1.04	1.02	1.01	1.03	1.02	1.01	1.03	1.01	1.01	1.00
9	1.08	1.05	1.03	1.01	1.07	1.04	1.02	1.00	1.04	1.02	1.01	1.03	1.02	1.01	1.03	1.01	1.00	1.00
10	1.07	1.04	1.02	1.01	1.07	1.04	1.02	1.00	1.03	1.02	1.01	1.03	1.02	1.01	1.03	1.01	1.00	1.00

For lux multiply fc by 10.7

Fixture and Accessories

Use Item Number when ordering in North America.

Fixture	Item Number	Philips 12NC
ColorReach Powercore gen2 RGB, UL/CE	123-000153-02	912400133609
<i>Fixture only. Values in this specification sheet represent both the fixture and spread lens combined. Spread lens available below in Associated Part.</i>		

Associated Part	Item Number	Philips 12NC
23° Spread lens with bezel	120-000068-13	912400133594
<i>Trim bezel not included. Must be ordered separately.</i>		

Accessories	Item Number	Philips 12NC
Leader Cable, 100–277 VAC, UL, 3 m (10 ft)	108-000055-03	910503704066
Leader Cable, 100–277 VAC, UL, 15.2 m (50 ft)	108-000055-00	910503703137
Leader Cable, 100–277 VAC, CE/PSE, 3 m (10 ft)	108-000055-04	910503704067
Leader Cable, 100–277 VAC, CE/PSE, 15.2 m (50 ft)	108-000055-01	910503704064
Louver	120-000187-02	912400133589
Half Glare Shield	120-000187-01	912400133588
Full Glare Shield	120-000187-00	912400133587
Trim Bezel	120-000187-03	912400134263
8° Spread lens with bezel	120-000068-17	912400133598
13° Spread lens with bezel	120-000068-12	912400133593
43° Spread lens with bezel	120-000068-14	912400133595
63° Spread lens with bezel	120-000068-15	912400133596
5°x17° Spread lens with bezel	120-000068-16	912400133597

Power Supplies	Item Number	Philips 12NC
Data Enabler Pro, 3/4 in / 1/2 in NPT (U.S. trade size conduit)	106-000004-00	910503701210
Data Enabler Pro, PG21/PG13 (metric size conduit)	106-000004-01	910503701211

Copyright © 2016 Philips Solid-State Lighting Solutions, Inc. All rights reserved. Chromacore, Chromasic, CK, the CK logo, Color Kinetics, the Color Kinetics logo, ColorBlast, ColorBlaze, ColorBurst, eW Fuse, ColorGraze, ColorPlay, ColorReach, iW Reach, eW Reach, DIMand, EssentialWhite, eW, EvenBalance, iColor, iColor Cove, IntelliWhite, iW, iPlayer, Optibin, Powercore and PureGlow are either registered trademarks or trademarks of Philips Solid-State Lighting Solutions, Inc. in the United States and/or other countries. All other brand or product names are trademarks or registered trademarks of their respective owners. Due to continuous improvements and innovations, specifications may change without notice.

DAS-000122-26 R01 13 Jun 2016



Philips Color Kinetics
www.philips.com/colorkinetics