

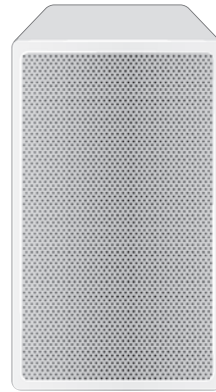
SL Loudspeaker 52 A W

FEATURES

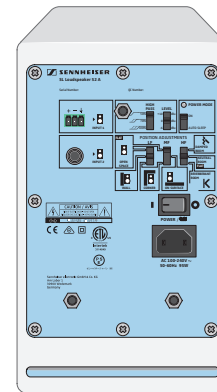
- Active loudspeaker with inbuilt power supply
- Optimized for speech intelligibility
- Integrated DSP with frequency adjustments and high pass filter
- Auto sleep mode
- Flexible wallmount included in delivery

The **SL Loudspeaker 52 A W** has been optimized for speech intelligibility. The active loudspeaker transmits the spoken words of all participants in the web and telephone conference as naturally as possible. Its unobtrusive design underlines the high quality approach.

Front



Back



ARCHITECT'S SPECIFICATIONS

SL Loudspeaker 52 A W

The loudspeaker shall be optimized for speech intelligibility and shall be suitable for meeting rooms with up to 16 participants on site.

The loudspeaker shall feature two input sockets for connecting audio signals: one balanced input terminal (e.g. Phoenix Contact MC 1.5/3-ST-3.5 or similar) and one unbalanced RCA input.

The loudspeaker shall feature three 3-position adjustment switches for adjusting its high, medium and low frequency levels for optimum sound quality depending on the mounting position and the room characteristics. The loudspeaker's high pass filter shall be adjustable to 50 Hz, 70 Hz or 100 Hz. The input sensitivity shall be selectable between -6 dBu, 0 dBu or +10 dBu. Input impedance (balanced and unbalanced) shall be > 10 kΩ.

Continued on page 2

TECHNICAL DATA

ACOUSTICS

Frequency response ± 3 dB	53 – 30,000 Hz
Max. SPL at 1 m (150 – 5,000 Hz)	97 dB SPL
THD at 90 dB SPL at 1 m > 200 Hz	< 1 %

ELECTRONICS

Nominal output power woofer	40 W
RMS at 1 % THD (with deactivated limiter)	

Nominal output power tweeter	40 W
RMS at 1 % THD (with deactivated limiter)	

THD + N vs. frequency at 1 W output	0.16 %
SNR at 1 kHz	95 dB
CMRR	71 dB
Crossover frequency	4.5 kHz
Slope low pass woofer	12 dB/oct. (2nd order)
Slope high pass tweeter	24 dB/oct. (4th order)
Resonance frequency high pass woofer	55 Hz; 75 Hz; 100 Hz
Slope high pass woofer	24 dB/oct. (4th order)

Continued on page 2

SL Loudspeaker 52 A W

The loudspeaker shall have a frequency response (+/-3 dB) of 53 – 30,000 Hz. Maximum sound pressure level at 1 m (150 to 5,000 Hz) shall be 97 dB SPL. THD at 90 dB SPL at 1 m > 200 Hz shall be < 1 %.

Nominal output power of the woofer and the tweeter (RMS at 1% THD and with deactivated limiter) shall be 40 W, respectively. THD plus noise vs. frequency at 1 W output power shall be 0.16 %. Signal-to-noise ratio at 1 kHz shall be 95 dB. Common mode rejection ratio shall be 71 dB.

The loudspeaker shall operate on 100–240 V AC, 50 – 60 Hz. The loudspeaker shall have an ON/OFF power switch and shall feature a second switch for activating/deactivating the auto standby mode. If enabled, the auto standby mode shall become active after 20 minutes without audio signal.

The loudspeaker shall have a housing with pre-drilled mounting points and shall be supplied complete with a wall mounting kit (consisting of a wall bracket, a loudspeaker bracket, 2 spacers, a safety wire, screws and anchors).

The loudspeaker's dimensions shall be approximately 240mm x 140mm x 161mm (9.45" x 5.51" x 6.34"); its weight shall be approximately 3.1kg

The loudspeaker shall be the Sennheiser SL Loudspeaker 52 A W.

TECHNICAL DATA

POSITION ADJUSTMENTS

HF.....	f = 2800 Hz, Gain +1.4dB flat f = 2800 Hz, Gain -1.5dB
MF.....	flat f = 100 Hz, Gain -2.7dB f = 230 Hz, Gain -3.7dB
LF.....	flat f = 800 Hz, Gain -2.0dB, 6dB Lowshelf f = 800 Hz, Gain -4.0dB, 6dB Lowshelf

Input sensitivity at 97 dB SPL.....	Switch positions -6 dBu 0 dBu 10 dBu
Switch-on level switch-on automatics.....	1.4 mVRMS
Auto standby.....	20 min
Input impedance:.....	balanced > 10 kΩ unbalanced > 10 kΩ

PRODUCT PROPERTIES

Power consumption (standby).....	230 V AC; 0.47 W / 110 V AC; 0.34 W
Power consumption (idle).....	230 V AC; 4.75 W / 110 V AC; 4.53 W
Power consumption (max).....	230 V AC; 95 W / 110 V AC; 91 W
Dimensions (H x W x D).....	240mm x 140mm x 161mm
Weight.....	3.1 kg
Mounting points.....	2 x M6 on rear panel with depth 10mm

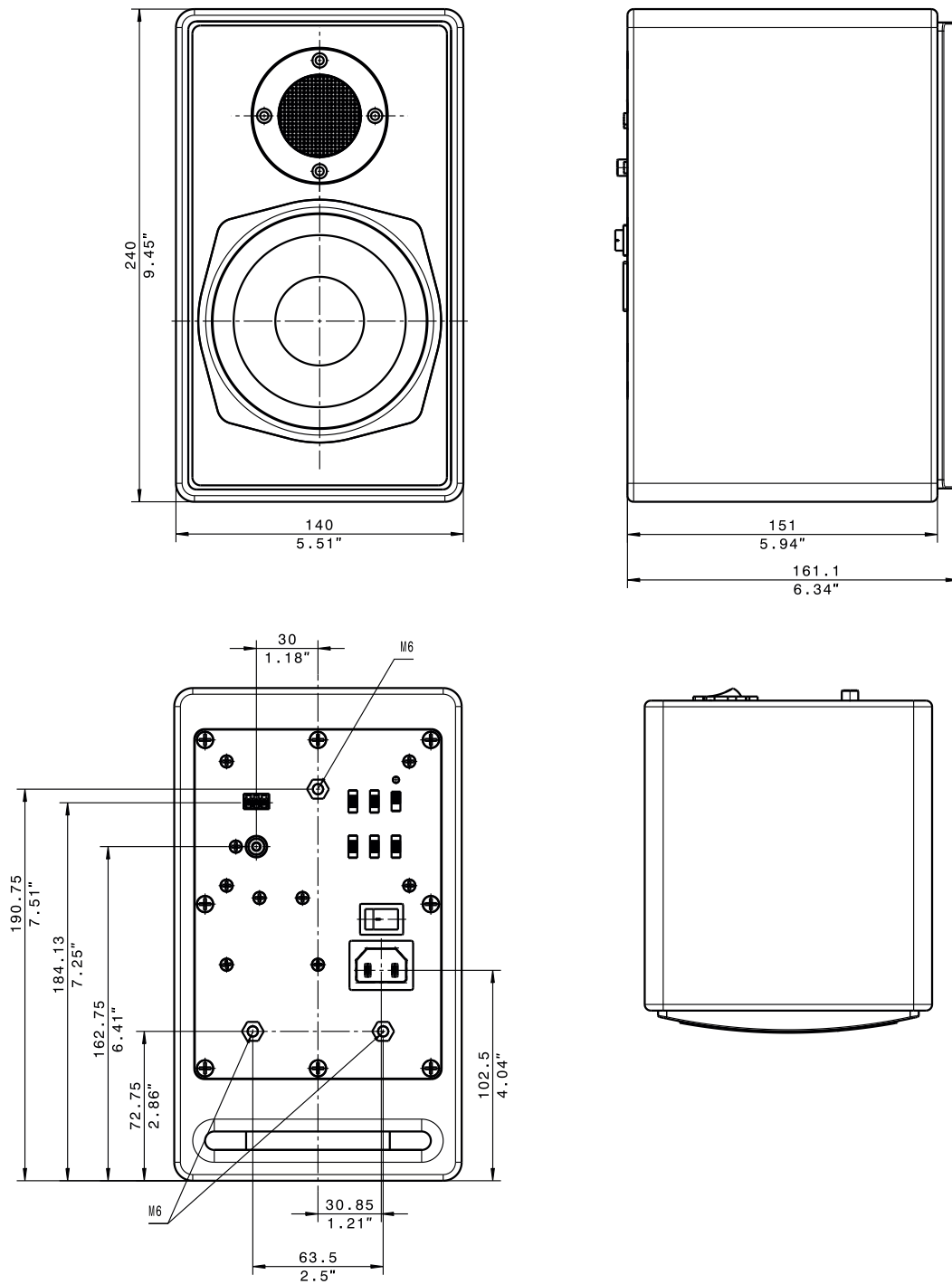
DELIVERY INCLUDES

- 1 SL Loudspeaker 52 A W
- 1 SpeakerMount 100
 - 1 wall bracket
 - 1 loudspeaker bracket
 - 2 spacers
 - 1 set of safety wire, screws and anchors
- 1 quick guide
- 1 safety guide

*The mains cable is not included in the delivery.
Mains cables with different lengths and for different countries are available as an accessory.*

SL Loudspeaker 52 A W

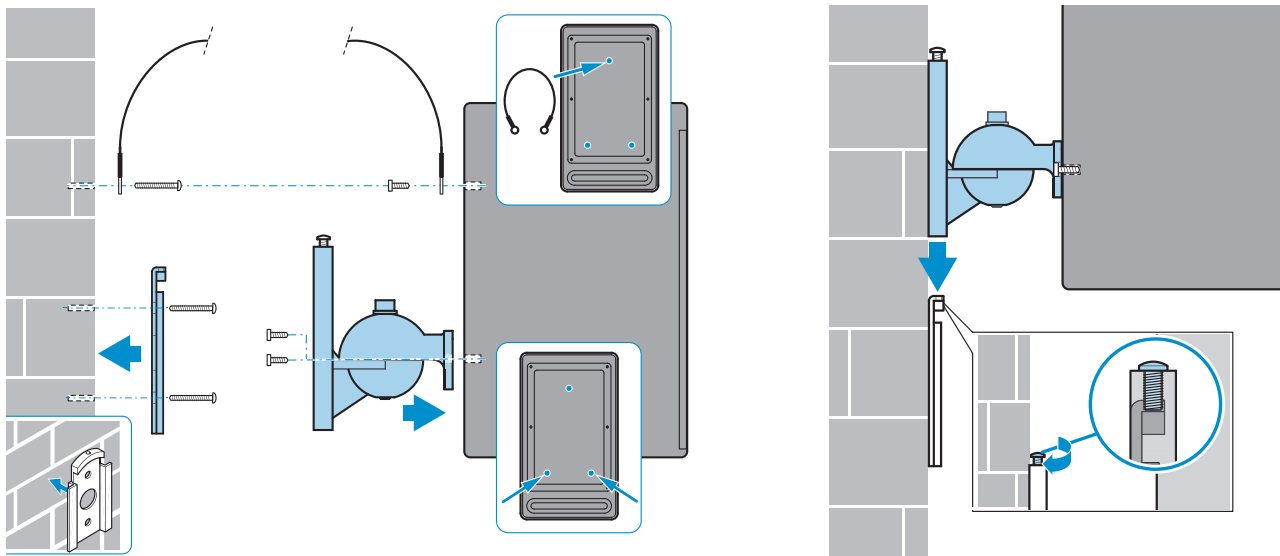
DIMENSIONS



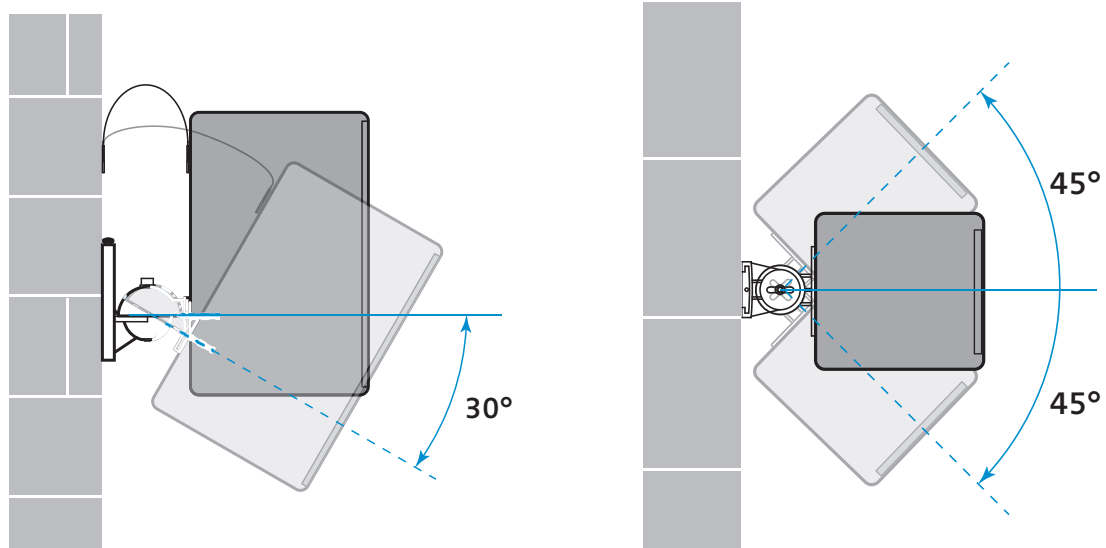
Dimensions
in mm
← inch

SL Loudspeaker 52 A W

MOUNTING

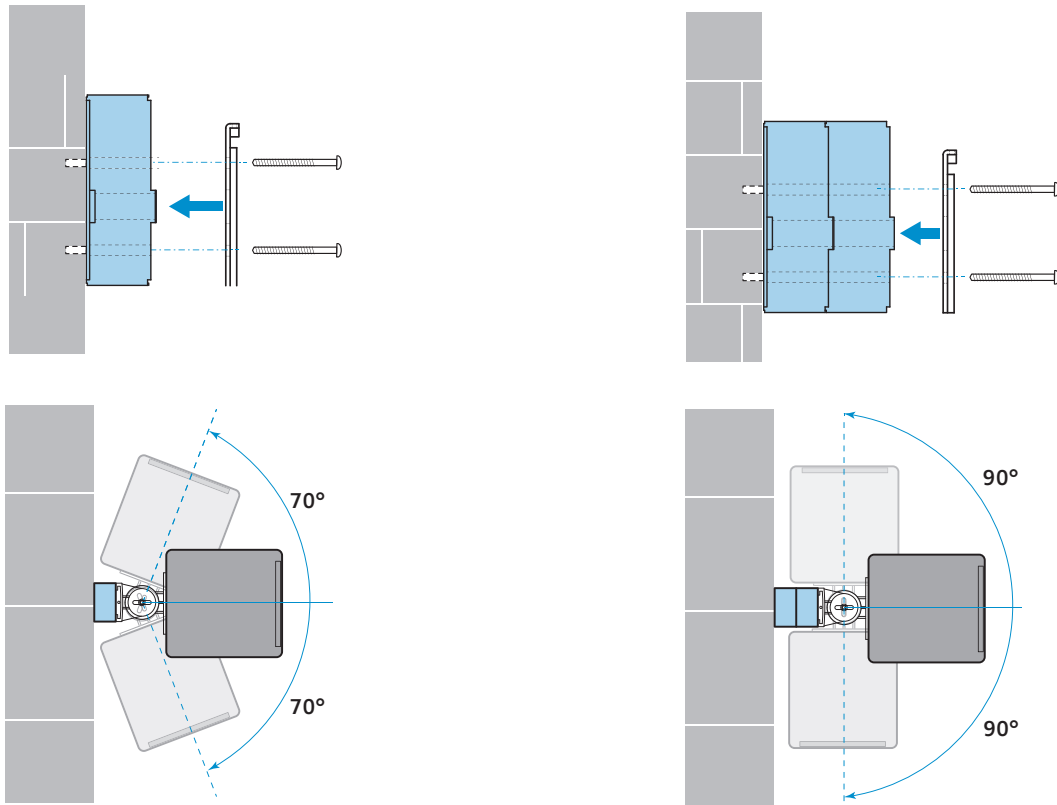


POSITIONING



SL Loudspeaker 52 A W

SPACERS



PRODUCT VARIANTS

SL Loudspeaker 52 A W

Art.-No. 506243

RECOMMENDED ACCESSORIES

Mains cable white 5m EU

Art.-No. 506276

Mains cable white 0.75m EU

Art.-No. 506273

Mains cable white 5m UK

Art.-No. 506277

Mains cable white 0.75m UK

Art.-No. 506274

Mains cable white 5m US

Art.-No. 506278

Mains cable white 0.75m US

Art.-No. 506275

Sennheiser electronic GmbH & Co. KG
Am Labor 1, 30900 Wedemark, Germany
www.sennheiser.com

 **SENNHEISER**