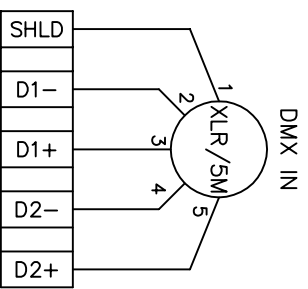
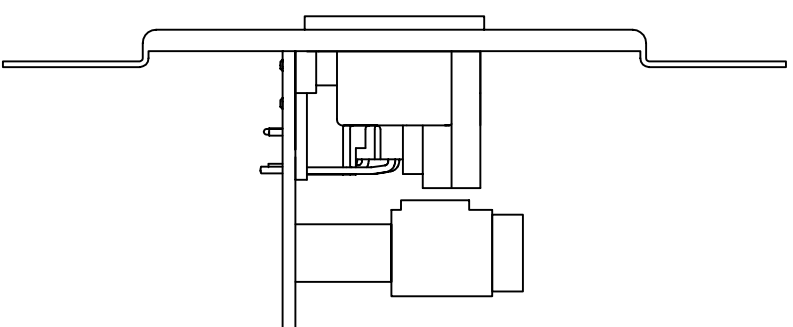
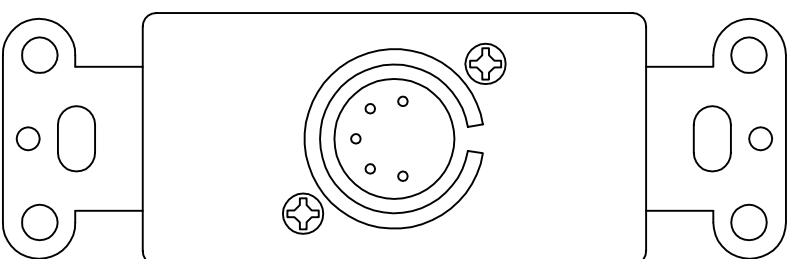


Notes:
 Available in the following colors:
 SS—Stainless Steel
 BL—Black
 WW—White



BELDEN #9829 CABLE				
T.B. NO.	SIGNAL	COLOR	PAIR	DRAIN
1	COMMON	DRAIN	SHLD	
2	D1-	WHT/BLU		1
3	D1+	BLU/WHT		
4	NOT USED	WHT/ORG		
5	NOT USED	ORG/WHT		2

CATEGORY 5 CABLE				
T.B. NO.	SIGNAL	COLOR	PAIR	DRAIN
1	COMMON	BROWN (BOTH)		
2	D1-	ORG		
3	D1+	WHT/ORG		
4	NOT USED	GRN		
5	NOT USED	WHT/GRN		



5 Pin Male XLR to IDC Insert

FILENAME: 500x_51xx (REV D).DWG

PART NUMBER: 5201

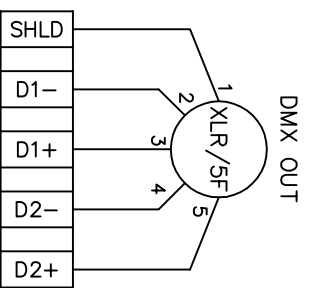


Pathway Connectivity
 103 Inglewood Plaza, 1439 17th Avenue SE
 Calgary, Alberta, Canada T2G 1J9
 Phone: +1(403)243-8110 Fax: +1(403)287-1281
<http://www.pathwayconnect.com>

DRAWN BY: BRIAN F. EVANS
 DATE: 12/7/2015
 CHECKED: ROBERT ARMSTRONG
 SCALE: NTS
 UNITS: INCHES

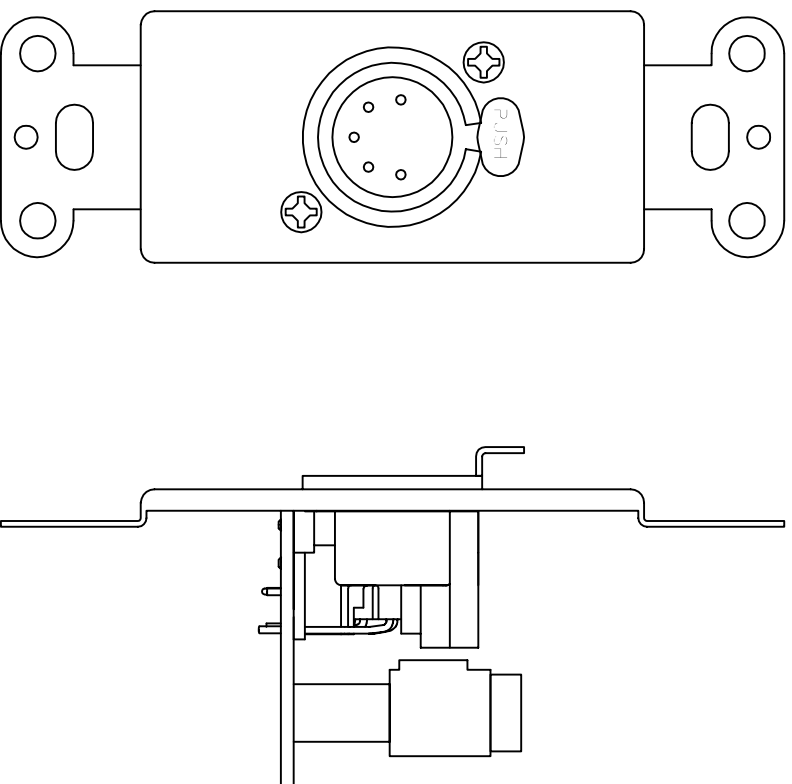
REV

Notes:
 Available in the following colors:
 SS—Stainless Steel
 BL—Black
 WW—White



BELDEN #9829 CABLE				
T.B. NO.	SIGNAL	COLOR	PAIR	SHLD
1	COMMON	DRAIN		
2	D1-	WHT/BLU		1
3	D1+	BLU/WHT		
4	NOT USED	WHT/ORG		
5	NOT USED	ORG/WHT		2

CATEGORY 5 CABLE				
T.B. NO.	SIGNAL	COLOR	PAIR	SHLD
1	COMMON	BROWN (BOTH)		
2	D1-	ORG		
3	D1+	WHT/ORG		
4	NOT USED	GRN		
5	NOT USED	WHT/GRN		



5 Pin Female XLR to IDC Insert

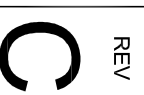
FILENAME: 500x_51xx (REV D).DWG

PART NUMBER: 5202



Pathway Connectivity
 103 Inglewood Plaza, 1439 17th Avenue SE
 Calgary, Alberta, Canada T2G 1J9
 Phone: +1(403)243-8110 Fax: +1(403)287-1281
<http://www.pathwayconnect.com>

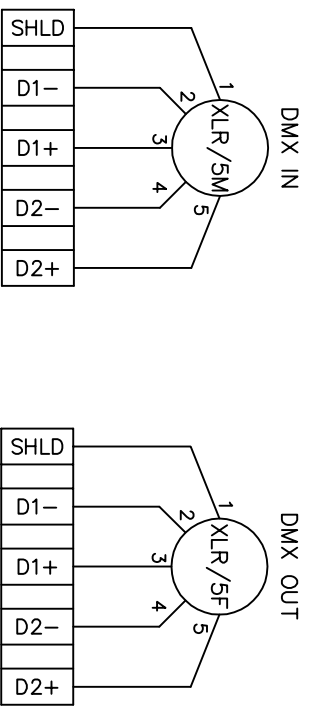
DRAWN BY: BRIAN F. EVANS
 DATE: 12/7/2015
 CHECKED: ROBERT ARMSTRONG
 SCALE: NTS
 UNITS: INCHES



Notes:
 Available in the following colors:
 SS—Stainless Steel
 BL—Black

IMPORTANT: 2–Piece IDC Fitting

Install wires and compress IDC plungers prior to inserting upper part of fitting into permanently mounted lower receptacle. Upper half of fitting will NOT install without the plungers depressed.

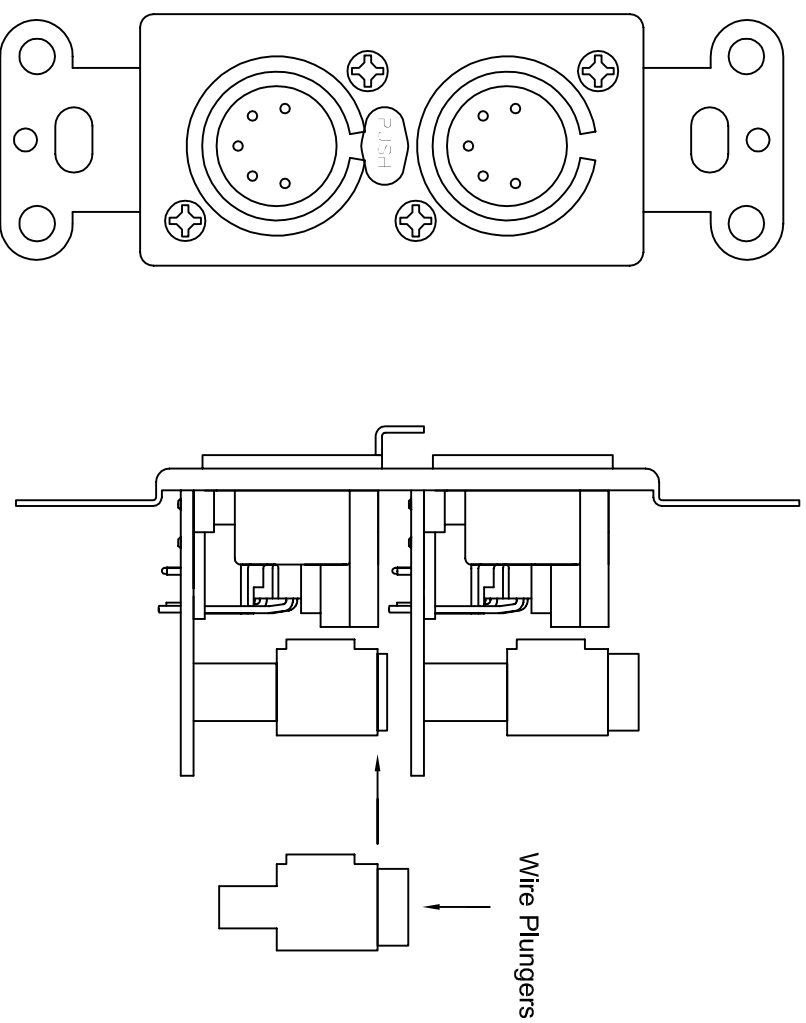


T.B. NO.	SIGNAL	COLOR	PAIR
1	COMMON	BROWN (BOTH)	SHLD
2	D1-	WHT/BLU	1
3	D1+	BLU/WHT	
4	NOT USED	WHT/ORG	
5	NOT USED	ORG/WHT	2

T.B. NO.	SIGNAL	COLOR	PAIR
1	COMMON	BROWN (BOTH)	SHLD
2	D1-	WHT/BLU	1
3	D1+	BLU/WHT	
4	NOT USED	WHT/ORG	
5	NOT USED	ORG/WHT	2

T.B. NO.	SIGNAL	COLOR
1	COMMON	BROWN (BOTH)
2	D1-	ORG
3	D1+	WHT/ORG
4	NOT USED	GRN
5	NOT USED	WHT/GRN

T.B. NO.	SIGNAL	COLOR
1	COMMON	BROWN (BOTH)
2	D1-	ORG
3	D1+	WHT/ORG
4	NOT USED	GRN
5	NOT USED	WHT/GRN



Dual Insert, 5 Pin XLR (M,F) to IDC

FILENAME: 500x_51xx (REV D).DWG

PART NUMBER: 5221



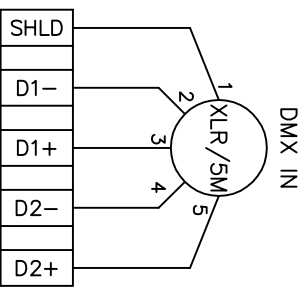
Pathway Connectivity
 103 Inglewood Plaza, 1439 17th Avenue SE
 Calgary, Alberta, Canada T2G 1J9
 Phone: +1(403)243-8110 Fax: +1(403)287-1281
<http://www.pathwayconnect.com>

DRAWN BY: BRIAN F. EVANS
 DATE: 12/7/2015
 CHECKED: ROBERT ARMSTRONG
 SCALE: NTS
 UNITS: INCHES



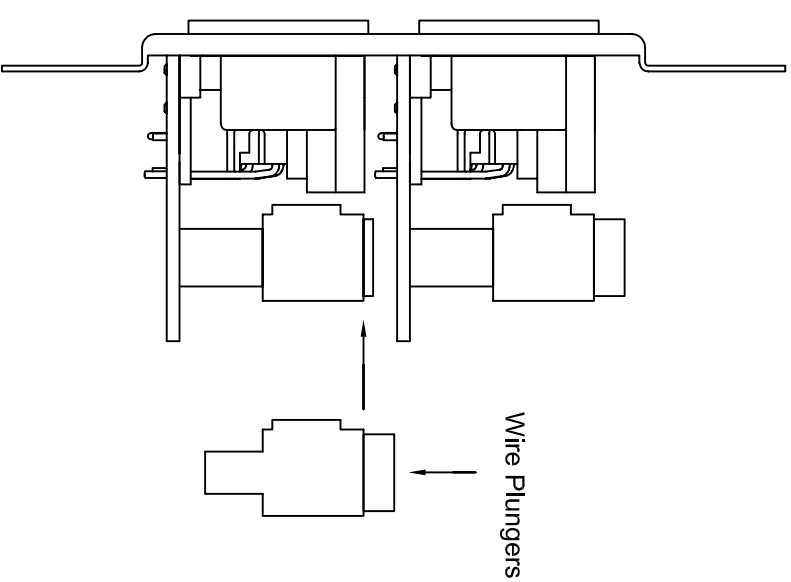
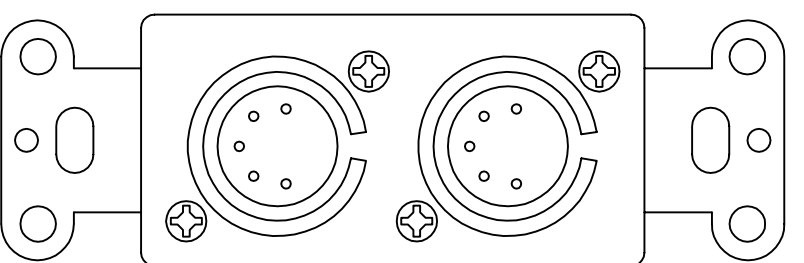
Notes:
 Available in the following colors:
 SS—Stainless Steel
 BL—Black

IMPORTANT: 2–Piece IDC Fitting
 Install wires and compress IDC plungers prior to inserting upper part of fitting into permanently mounted lower receptacle. Upper half of fitting will NOT install without the plungers depressed.



T.B. NO.	SIGNAL	COLOR	PAIR
1	COMMON	BROWN	SHLD
2	D1-	WHT/BLU	1
3	D1+	BLU/WHT	1
4	NOT USED	WHT/ORG	
5	NOT USED	ORG/WHT	2

T.B. NO.	SIGNAL	COLOR
1	COMMON	BROWN (BOTH)
2	D1-	ORG
3	D1+	WHT/ORG
4	NOT USED	GRN
5	NOT USED	WHT/GRN



Dual Insert, 5 Pin XLR (M,M) to IDC

FILENAME: 500x_51xx (REV D).DWG

PART NUMBER: 5222



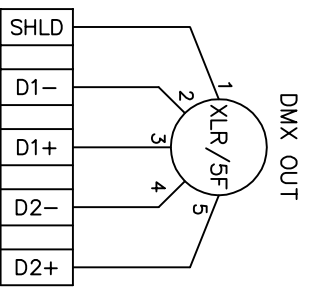
Pathway Connectivity
 103 Inglewood Plaza, 1439 17th Avenue SE
 Calgary, Alberta, Canada T2G 1J9
 Phone: +1(403)243-8110 Fax: +1(403)287-1281
<http://www.pathwayconnect.com>

DRAWN BY: BRIAN F. EVANS
 DATE: 12/7/2015
 CHECKED: ROBERT ARMSTRONG
 SCALE: NTS
 UNITS: INCHES



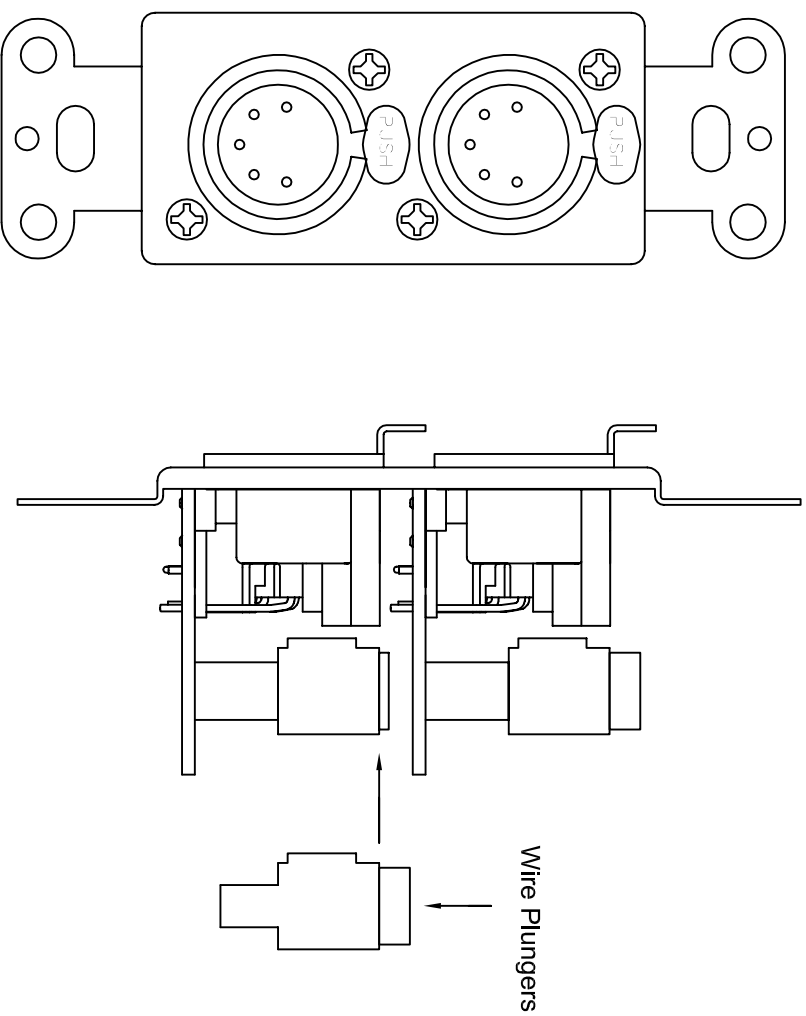
Notes:
 Available in the following colors:
 SS—Stainless Steel
 BL—Black

IMPORTANT: 2–Piece IDC Fitting
 Install wires and compress IDC plungers prior to inserting upper part of fitting into permanently mounted lower receptacle. Upper half of fitting will NOT install without the plungers depressed.



BELDEN #9829 CABLE				
T.B. NO.	SIGNAL	COLOR	PAIR	SHLD
1	COMMON	BRAIN		
2	D1-	WHT/BLU		1
3	D1+	BLU/WHT		
4	NOT USED	WHT/ORG		
5	NOT USED	ORG/WHT		2

CATEGORY 5 CABLE				
T.B. NO.	SIGNAL	COLOR		
1	COMMON	BROWN (BOTH)		
2	D1-	ORG		
3	D1+	WHT/ORG		
4	NOT USED	GRN		
5	NOT USED	WHT/GRN		



Dual Insert, 5 Pin XLR (F,F) to IDC

FILENAME: 500x_51xx (REV D).DWG

PART NUMBER: 5223



Pathway Connectivity
 103 Inglewood Plaza, 1439 17th Avenue SE
 Calgary, Alberta, Canada T2G 1J9
 Phone: +1(403)243-8110 Fax: +1(403)287-1281
<http://www.pathwayconnect.com>

DRAWN BY: BRIAN F. EVANS
 DATE: 12/7/2015
 CHECKED: ROBERT ARMSTRONG
 SCALE: NTS
 UNITS: INCHES

