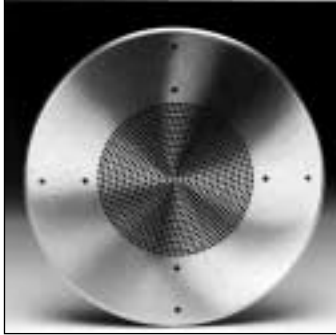


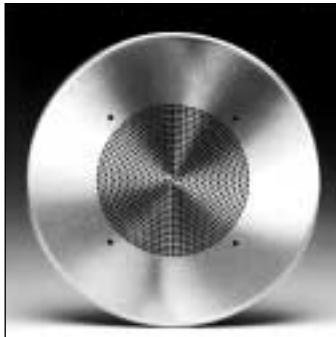


# ROUND RECESSED BAFFLES FOR MOUNTING 4", 8", & 12" LOUDSPEAKERS

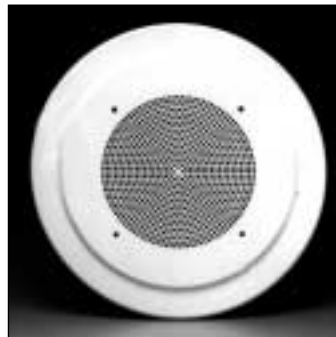
(T)60 Series  
(T)M222W Series



60-8



T60-8



TM222W

## FEATURES

- Attractive, Weather-Resistant Aluminum Construction
- Industry Standard Design with Years of Proven Performance
- Torsion Spring Versions for Quick, Efficient, & Economical Installation
- Companion Enclosures or Mounting Rings are Available for Loudspeaker Installations With or Without a Tile Bridge
- Choice of Satin Aluminum or Textured White Finish Where Noted

## APPLICATIONS

Atlas Sound 60 Series and M222W Series round aluminum grilles are designed for indoor or outdoor recessed ceiling applications. Torsion-spring versions are offered to simplify installation, reduce labor costs, and eliminate visible baffle-mounting hardware.

## GENERAL DESCRIPTION

**60 Series.** Popular 60 Series aluminum baffles are available in standard screw-mount or torsion-spring (T) versions. Models 60-4 and T60-4 mount standard 4" (102mm) loudspeakers; Models 60-8(W) and T60-8(W) accommodate standard 8" (203mm) loudspeakers. Model T60-4 includes provisions to accommodate ceiling thickness up to 2" deep. All of the above units are of one-piece .030 aluminum construction. Model 60-12(W) is designed for use with standard 12" (305mm) loudspeakers and is of two-piece construction (.030 aluminum trim ring, 22-gauge CRS perforated grille). Finish is satin aluminum or textured white (W) epoxy where noted.

**M222W Series.** Popular series contains a contoured trim ring available in a standard screw-mount or torsion-spring (T) version. Both models mount standard 8" (203mm) loudspeakers and are of one-piece .030 aluminum construction. Finish is textured white.

**Note:** For proper support, torsion spring grilles should not be used with loudspeaker assemblies exceeding 5 lbs.

## ARCHITECT AND ENGINEER SPECIFICATIONS

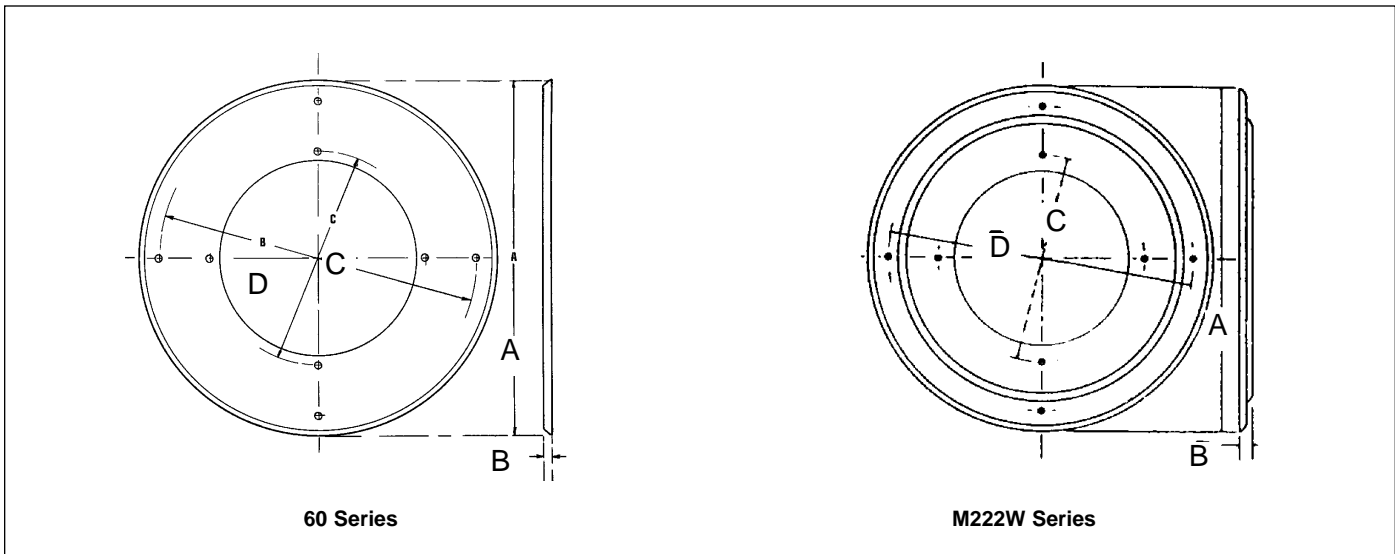
**Screw Mount Grilles.** Round recessed baffle shall be Atlas Sound Model \_\_\_\_\_ [60-4 for 4" (107mm) loudspeakers; 60-8(W), M222W for 8" (203mm) loudspeakers; 60-12(W) for 12" (305mm) loudspeakers]. Baffle shall be constructed of .030 aluminum. Hardware for mounting Atlas Sound loudspeaker Model \_\_\_\_\_ shall be furnished. Baffle shall be used in conjunction with Atlas Sound enclosure Model \_\_\_\_\_ or mounting ring Model \_\_\_\_\_. For applications which require a tile bridge, Atlas Sound Model \_\_\_\_\_ shall be used. Baffle dimensions shall be \_\_\_\_\_. Finish shall be \_\_\_\_\_.

**Torsion Spring Grilles.** Round recessed baffle shall be Atlas Sound Model \_\_\_\_\_ [T60-4 for 4" (107mm) loudspeakers; T60-8(W), TM222W for 8" (203mm) loudspeakers]. It shall be constructed of .030 aluminum. It shall utilize a torsion spring device to mount either Atlas Sound enclosure Model \_\_\_\_\_ or mounting ring Model \_\_\_\_\_. For applications which require a tile bridge, Atlas Sound Model \_\_\_\_\_ shall be used. Baffle shall have dimensions of \_\_\_\_\_ and have welded studs on rear for mounting Atlas Sound loudspeaker Model \_\_\_\_\_. Finish shall be \_\_\_\_\_.

Specifications subject to change without notice



1601 JACK MCKAY BLVD. / ENNIS, TEXAS 75119 U.S.A. / TELEPHONE: (800) 876-3333 / FAX (800) 765-3435



GRILLES MOUNTING 4" (102mm) LOUDSPEAKERS								
MODEL	DIMENSIONS				MOUNTS		OPTIONAL TILE BRIDGE	WEIGHT
	DIAMETER (A)	PROJECTS (B)	(C)**	(D)***	ENCLOSURE (OR)	MTG. RING		
60-4	7 <sup>3</sup> / <sub>8</sub> " (187mm)	1/4" (6mm)	4 <sup>1</sup> / <sub>16</sub> " (119mm)	5 <sup>5</sup> / <sub>8</sub> " (143mm)	(EZ)96-4 Series, (EZ)96-4X Series	76-4	81-4	.15 Lbs. (.07kg)
T60-4*				—	(EZ)E410 Series	PR411	—	.2 Lbs. (.09kg)

GRILLES MOUNTING 8" (203mm) LOUDSPEAKERS									
MODEL	DIMENSIONS				MOUNTS		OPTIONAL TILE BRIDGE	WEIGHT	
	DIAMETER (A)	PROJECTS (B)	(C)**	(D)***	ENCLOSURE (OR)	MTG. RING			
60-8(W)	12 <sup>3</sup> / <sub>4</sub> " (324mm)	1/4" (6mm)	7 <sup>5</sup> / <sub>8</sub> " (194mm)	11 <sup>1</sup> / <sub>4</sub> " (286mm)	(EZ)95-8 Series, EZ96-8 , T95-8 Series, CS95-8(NS), 199-8, Q408	75-8(E1)(E2), 76-8(E1)(E2), P77-8, P78-8	81-8R(S)	.4 Lbs. (.2kg)	
M222W		3/8" (10mm)			96-8 Series*	—			EQ81 <sup>▲</sup>
T60-8(W)		1/4" (6mm)			—	T95-8 Series, BMT95-8(-7), EZ95-8	T75-8(E1)(E2)	81-8S****	.5 Lbs. (.25kg)
TM222W		3/8" (10mm)			—	T95-8 Series, BMT95-8(-7), EZ95-8	—	81-8S****	.6 Lbs. (.3kg)

GRILLE MOUNTING 12" (305mm) LOUDSPEAKERS								
MODEL	DIMENSIONS				MOUNTS		OPTIONAL TILE BRIDGE	WEIGHT
	DIAMETER (A)	PROJECTS (B)	(C)**	(D)***	ENCLOSURE (OR)	MTG. RING		
60-12(W)	17 <sup>1</sup> / <sub>4</sub> " (438mm)	1/4" (6mm)	11 <sup>1</sup> / <sub>16</sub> " (294mm)	15 <sup>1</sup> / <sub>2</sub> " (394mm)	95-12	75-12	—	1 Lb. (.45kg)

\* Model includes provisions to accommodate ceiling thickness up to 2" deep.

\*\* (C) Loudspeaker mounting hole or stud pattern.

\*\*\* (D) Baffle mounting hole pattern.

\*\*\*\* When a torsion spring grille, tile bridge, and enclosure are specified, the grille will mount to the tile bridge only and not to the enclosure's torsion tabs. The enclosure will need to be secured to the tile bridge via four 8-32 screws (not included). [In some cases, the enclosure may need to be rotated to avoid the torsion tabs and insure a proper fit.] See SL3-1431 for additional information.

<sup>▲</sup> EQ81 tile bridge works only with 96-8 Series enclosures

Specifications subject to change without notice



1601 JACK MCKAY BLVD. / ENNIS, TEXAS 75119 U.S.A. / TELEPHONE: (800) 876-3333 / FAX (800) 765-3435