

PIPELINE

DMX-512 TM
DISTRIBUTOR



Blizzard Lighting, LLC
www.blizzardlighting.com
Waukesha, WI USA
Copyright (c) 2015

1. GETTING STARTED

What's In The Box?

- 1 x Pipeline™ Twin
- This Lovely User Manual

Getting It Out Of The Box

Thank you for selecting the Pipeline™ Twin! This unit is a DMX distributor, signal amplifier, and isolator which allows you to split a DMX signal into 4 separate electronically isolated outputs. It also will boost your DMX signal for any extensive cable runs between DMX lighting fixtures.

Now that you've got your Pipeline™ Twin (*or hopefully, Twins*), you should carefully unpack the box and check the contents to ensure that all parts are present and in good condition. If anything looks as if it has been damaged in transit, notify the shipper immediately and keep the packing material for inspection. Again, please save the carton and all packing materials. If a fixture must be returned to the factory, it is important that the fixture be returned in the original factory box and packing.

Caution!

There are no user serviceable parts inside this unit. Do not open the housing or attempt any repairs yourself; doing so will void your manufacturer's 2-year limited warranty. In the unlikely event your unit may require service, please contact Blizzard Lighting at www.blizzardlighting.com/support.

Safety Guidelines

- This unit is intended for indoor use only!
- All units must be connected to circuits with suitable Earth Ground.
- To prevent risk of fire or shock, do not expose unit to rain or moisture.
- The unit must be installed in a location with adequate ventilation. Be sure no ventilation vents are blocked.
- Make sure power cord is never crimped or damaged
- There are no user serviceable parts inside.
- Never connect unit to a dimmer pack.

Getting A Hold Of Us

If something is wrong, just please visit our website and open a support ticket. We'll be happy to help, honest.

Blizzard Lighting
N24W23750 Watertown Rd. Suite B
Waukesha, WI 53188 USA
www.blizzardlighting.com

Disclaimer: The information and specifications contained in this document are subject to change without notice. Blizzard Lighting™ assumes no responsibility or liability for any errors or omissions that may appear in this user manual. Blizzard Lighting™ reserves the right to update the existing document or to create a new document to correct any errors or omissions at any time. You can download the latest version of this document from www.blizzardlighting.com.

Author:	Date:	Last Edited:	Date:
J. Thomas	10/14/2015	J. Thomas	11/3/2015

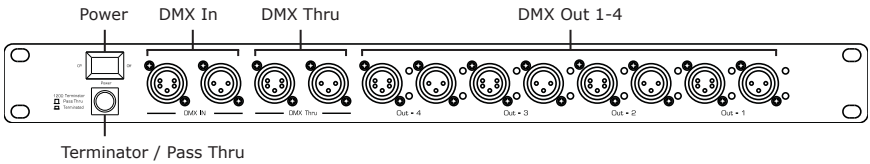
2. MEET THE PIPELINE™ TWIN

MAIN FEATURES:

- DMX signal amplifier and distributor
- 1 input to 4 outputs, plus DMX thru
- Electronic isolation between inputs and outputs
- Terminator button for the last unit
- Signal input and output: 3/5-pin DMX
- Power and signal indicator

OVERVIEW:

Front View:

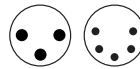


Rear View:



SPECIFICATIONS:

- 110-240VAC, 50-60Hz
- 10.9 x 5.7 x 2.76 in. (277 x 145 x 70 mm)
- Weight: 4 lbs. (1.8 kg)
- Fuse: F1A

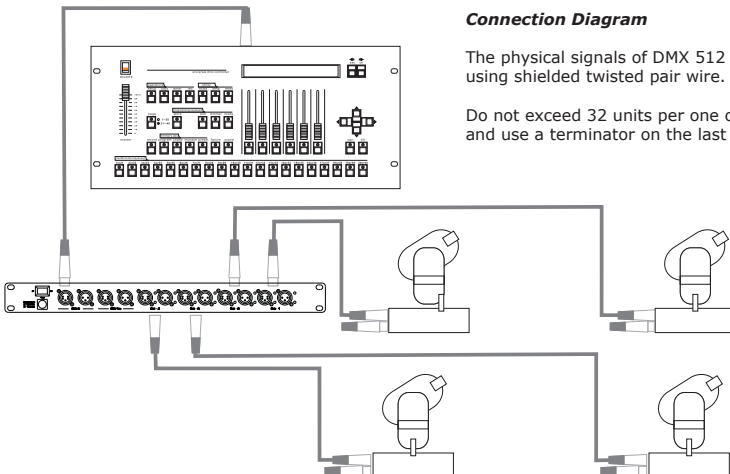


- 1= Ground
- 2= Data -
- 3= Data +
- 4= Not used
- 5= Not used

Connection Diagram

The physical signals of DMX 512 are transmitted using shielded twisted pair wire.

Do not exceed 32 units per one output channel and use a terminator on the last unit.





Enjoy your product!
Our sincerest thanks for your purchase!
--The team @ Blizzard Lighting