

DIGITAL
PROJECTOR

MW855UST



Features

- Native WXGA (1280 x 800) Resolution
- 3,500 ANSI Lumens, 10,000:1 High Contrast Ratio
- Up to 6000 hours lamp life
- 8% Vertical Lens Shift
- PointWrite Interactive Kit Compatible
- Wall Mount Included
- Dual HDMI, MHL compatible, LAN Control



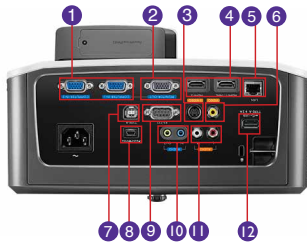
PointWrite Kit (PW01U)



Touch Module (PT02)



Input and Output Terminals



- | | |
|-----------------------------------|-----------------------------|
| 1 Computer in 1 & 2 (D-sub 15pin) | 7 USB (Type Mini B) |
| 2 Monitor Out (D-sub 15pin) | 8 PointWrite |
| 3 S-Video In (Mini DIN 4pin) | 9 RS232 (DB-9pin) |
| 4 HDMI 1 & 2 | 10 Audio In/Out (Mini Jack) |
| 5 LAN | 11 Audio (L/R) |
| 6 Composite Video in (RCA) | 12 USB (Type A) |

Specifications

Projection System	DLP®
Native Resolution	WXGA (1280 x 800)
Brightness	3,500AL
Contrast Ratio	10,000:1
Display Color	1.07 Billion Colors
Lens	F2.5, f=5.1mm
Lens Shift	Vertical 8%
Aspect Ratio	Native 16:10 (5 aspect ratio selectable)
Throw Ratio	0.35
Clear Image Size/Max Image size	80"~100"
Zoom Ratio	Fixed
Lamp Type	240W
Lamp (Normal/Economic Mode)*	3000/4000/6000 hours
Keystone Adjustment	2D, Vertical/Horizontal +/- 30 degrees
Projection Offset	140%-148%(±5%)
Resolution Support	VGA(640 x 480) to UXGA(1600 x 1200)
Horizontal Frequency	15~102KHz
Vertical Scan Rate	23~120Hz
Compatibility	HDTV Compatibility: 480i, 480p, 576i, 576p, 720p, 1080i, 1080p Video Compatibility: NTSC, PAL, SECAM,
Interface	Computer in (D-sub 15pin) x 2(Shared with component) Monitor out (D-sub 15pin) x 1 Composite Video in (RCA) x 1 S-Video in (Mini DIN 4pin) x 1 HDMI/MHL x 2(HDMI 1 with MHL) Audio in (Mini Jack) x 1 Audio out (Mini Jack) x 1 Audio L/R x 1 Speaker 10W x 2 USB (Type mini B) x 1 (PointWrite interactive module) USB (Type B) x 1 (FW download) USB (Type A) x 1 (5V 2A Power for PT02 Touch module) RJ45 x 1 (LAN control) RS232 (DB-9pin) x 1 IR Receiver x 1 (Front)
Dimensions (WxHxD)	14.6" x 11.3" x 5.1" 14.6" x 11.3" x 7.9" (w Mirror)
Weight	11.02 lbs w/o wall mount
Power Supply	AC100 to 240 V, 50 to 60 Hz
Power Consumption	Typical 320W, stanby power <0.5W
Audible Noise	34/29 dBA (Normal/Economic mode)
Languages	Arabic/Bulgarian/ Croatian/ Czech/ Danish/ Dutch/ English/ Finnish/ French/ German/ Greek/ Hindi/ Hungarian/ Italian/ Indonesian/ Japanese/ Korean/ Norwegian/ Polish/ Portuguese/ Romanian/ Russian/ Simplified Chinese/Spanish/ Swedish/ Turkish/ Thai/ Traditional Chinese (28 Languages)
Picture Mode	Dynamic/Presentation/sRGB/Cinema/(3D)/User 1/User 2
Accessories (Standard)	Remote Control w/ Battery, Power Cord, User Manual CD Quick Start Guide, Warranty Card, VGA(D-sub 15pin) Cable, Wall mount kit (installation guide)
Accessories (Optional)	Spare Lamp Kit P/N: 5J.JC505.001 3D Glasses_DGD05 P/N: 5J.J9H25.001 PointWrite Kit (PW01U) P/N: 5J.J8L26.20E Touch Module PT02 P/N: 5J.J8L26.11E
UPC / Part #	8400460-3283-8 / P/N: 9H.JC677.24A
Limited Warranty	3 Years Parts/Labor; 1 Year or 2000 Hours of Lamp Life

*Lamp life results will vary depending on environmental conditions and usage. Actual product's features and specifications are subject to change without notice.



BenQ America Corp.
www.BenQ.us

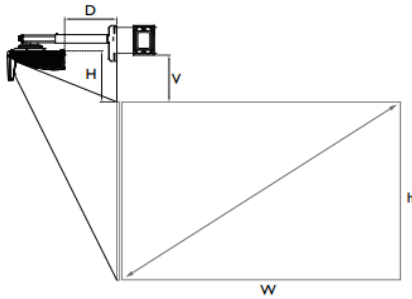
BenQ is a registered trademark of BenQ Corp. All rights reserved. Product names, logos, brands, and other trademarks featured or referred to in this material are the property of their respective trademark holders. Specifications subject to change without notice.
MW855UST 060915_BQus

BenQ

Because it matters

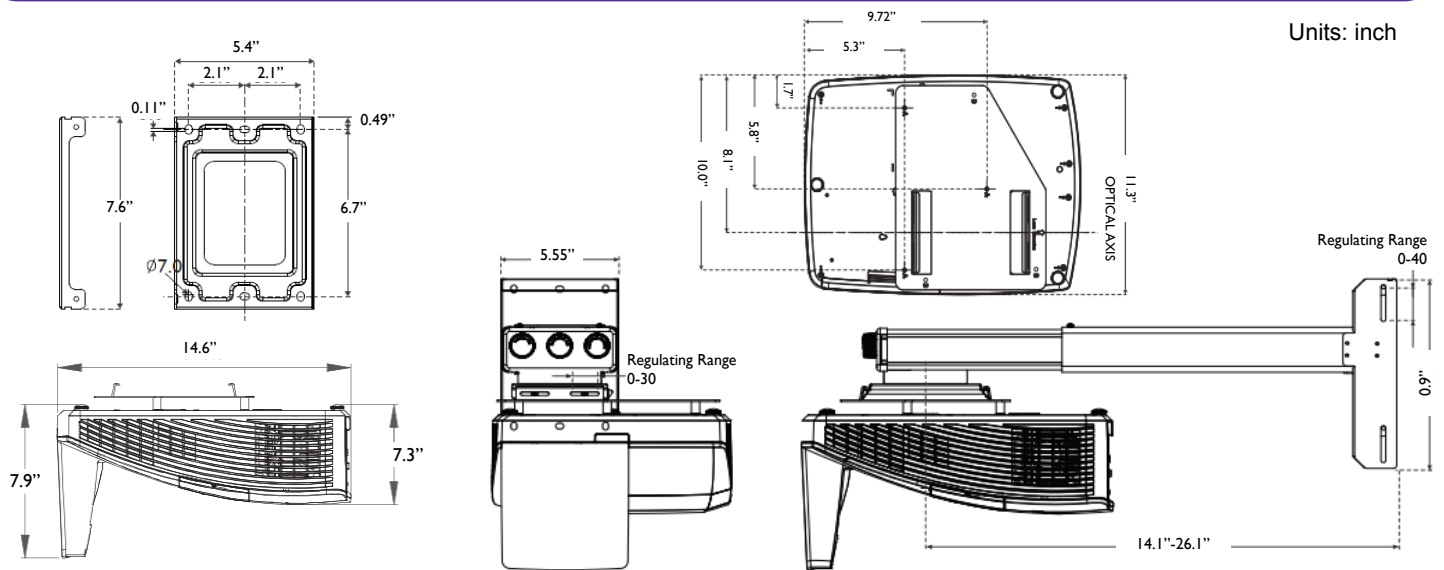
MW855UST Digital Projector

Distance Chart



Screen size (Diagonal)		Screen size Width (W)		Screen size Height (h)		Projection distance (D)		Offset (H)		Distance between Wall plate & projection screen (V)
inch	mm	inch	mm	inch	mm	inch	mm	inch	mm	
80	2032	67	1723	42	1077	11.11	282.3	11.81	300	274.7
85	2159	71	1831	45	1144	12.73	323.3	12.37	314.3	289
87	2210	73	1874	46	1171	13.40	340.3	12.61	320.2	294.9
90	2286	76	1939	47	1212	14.38	365.3	12.95	328.9	303.6
92	2337	77	1982	48	1239	15.01	381.3	13.17	334.4	309.1
95	2413	80	2046	50	1279	15.98	405.8	13.50	343	317.7
97	2464	81	2089	51	1306	16.65	422.8	13.74	348.9	323.6
100	2540	85	2154	53	1346	17.55	445.8	14.05	356.9	331.6

Ceiling Mount Chart



Dimensions

