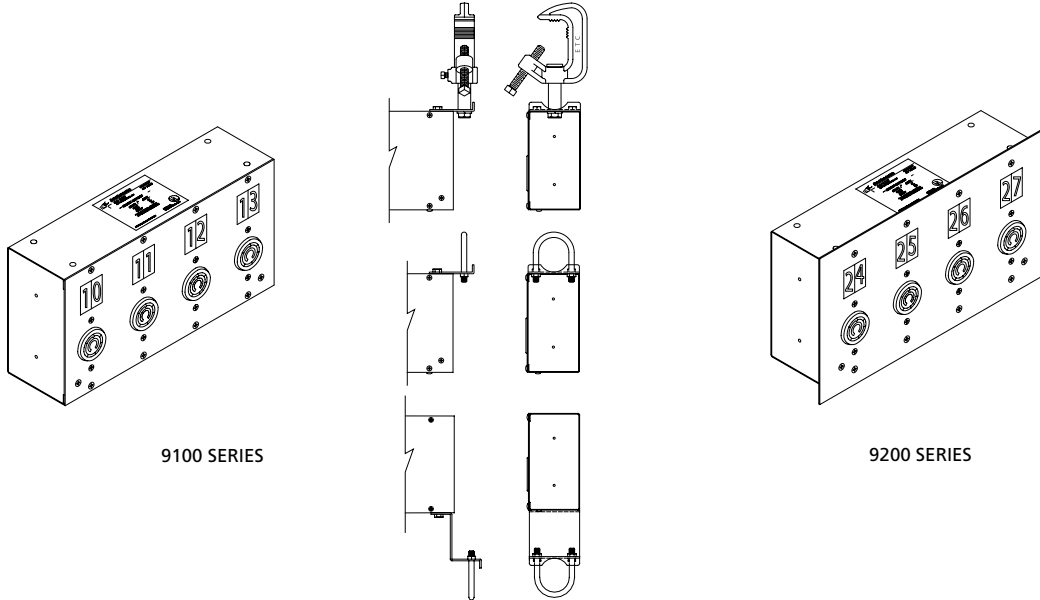




Distribution Series



9100 SERIES

9200 SERIES

GENERAL INFORMATION

Outlet boxes are designed for surface or recess mounting in theatres, television studios and other spaces for distribution of lighting circuits.

FEATURES

- Surface and recess mounting available
- 1, 2, 3, 4, 5, 6, and 8 connectors
- Panel mount connector Options:
 - Edison (20A)
 - Stage Pin (20, 60 and 100 amp)
 - Grounded Twist-Lock (20A)
- Over- and Under-hung U-bolt and C-clamp pipe mount options available
- Listed by a nationally recognized test lab (NRTL)

PHYSICAL

- Fabricated from 18-gauge steel with 16-gauge covers and 14-gauge end caps
- Finished with black fine-textured, scratch-resistant powder coat
- 1.25" or .75" labels with white numbers on black background (sized to match product)
- Pin outlets spaced on 1.25" or 3" centers
- Edison or Twist-Lock outlets spaced on 3" centers only

	# of Outlets	Back box Dimensions	9100 Panel Widths	9200 Panel Widths
PIN 1.25" Centers	1	3" W x 6.25" H x 3.25" D	3"	4"
	2, 3, 4	6" W x 6.25" H x 3.25" D	6"	7"
	5,6	9" W x 6.25" H x 3.25" D	9"	10"
	8	12" W x 6.25" H x 3.25" D	12"	13"
Other 3.00" Centers	1,2	6" W x 6.25" H x 3.25" D	6"	7"
	3,4	12" W x 6.25" H x 3.25" D	12"	13"
	5,6	18" W x 6.25" H x 3.25" D	18"	19"
	8	24" W x 6.25" H x 3.25" D	24"	25"

ORDERING INFORMATION

Standard Surface Mount Outlet Boxes

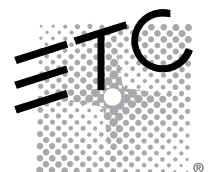
Outlet Qty.	Edison	Pin 3"	Pin 1.25"	Twistlock	MultiPin
1	9101A	9101B	9101BD	9101C	9101V
2	9102A	9102B	9102BD	9102C	9102V
3	9103A	9103B	9103BD	9103C	9103V
4	9104A	9104B	9104BD	9104C	
5	9105A	9105B	9105BD	9105C	
6	9106A	9106B	9106BD	9106C	
8	9108A	9108B	9108BD	9108C	

To any 9100 series box, add "-U" (U-Bolt), "-OU" (Offset U-Bolt), or "-C" (C-clamp) after the connector type to indicate pipe mount option. For example, 9104B-U indicates surface mount, 4-outlet box with stage pin connectors and U-bolt pipe mounting kit.

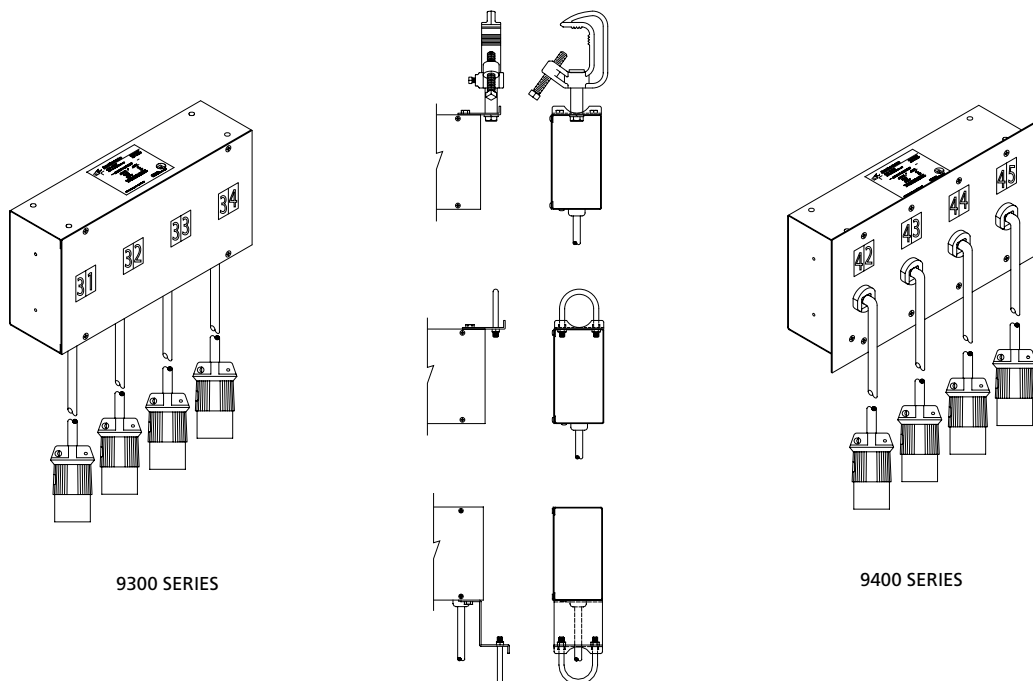
Standard Recessed Mount Outlet Boxes

Outlet Qty.	Edison	Pin 3"	Pin 1.25"	Twistlock
1	9201A	9201B	9201BD	9201C
2	9202A	9202B	9202BD	9202C
3	9203A	9203B	9203BD	9203C
4	9204A	9204B	9204BD	9204C
5	9205A	9205B	9205BD	9205C
6	9206A	9206B	9206BD	9206C
8	9208A	9208B	9208BD	9208C

For outlets not listed, use manufacturer's part number (must be UL listed).



Distribution Series



9300 SERIES

9400 SERIES

GENERAL INFORMATION

Pigtail boxes are designed for surface or recess mounting in theatres, television studios and other spaces for distribution of lighting circuits.

FEATURES

- Surface and recess mounting available
- 1, 2, 3, 4, 5, 6, and 8 connectors
- 18", 24" and 36" pigtails standard
- Connector Options:
 - Edison (20A)
 - Stage Pin (20, 60 and 100 amp)
 - Grounded Twist-Lock (20A)
- Over- and Under-hung U-bolt and C-clamp pipe mount options available
- Listed by a nationally recognized test lab (NRTL)

PHYSICAL

- Fabricated from 18-gauge steel with 16-gauge covers and 14-gauge end caps
- Finished with black fine-textured, scratch-resistant powder coat
- 1.25" or .75" labels with white numbers on black background (sized to match product)
- Pigtails spaced on 3" centers

	# of Pigtails	Back box Dimensions	9300 Panel Widths	9400 Panel Widths
3.00" Centers	1,2	6" W x 6.25" H x 3.25" D	6"	7"
	3,4	12" W x 6.25" H x 3.25" D	12"	13"
	5,6	18" W x 6.25" H x 3.25" D	18"	19"
	8	24" W x 6.25" H x 3.25" D	24"	25"

ORDERING INFORMATION

Standard Surface Mount Pigtail Boxes

Pigtail Qty.	Edison	Pin	Twistlock
1	9301A	9301B	9301C
2	9302A	9302B	9302C
3	9303A	9303B	9303C
4	9304A	9304B	9304C
5	9305A	9305B	9305C
6	9306A	9306B	9306C
8	9308A	9308B	9308C

To any 9300 series box, add "-U" (U-Bolt), "-OU" (Offset U-Bolt), or "-C" (C-clamp) after the connector type to indicate pipe mount option. For example, 9304B-U indicates a surface mount box with 4-18" pigtails and stage pin connectors plus a U-bolt pipe mounting kit.

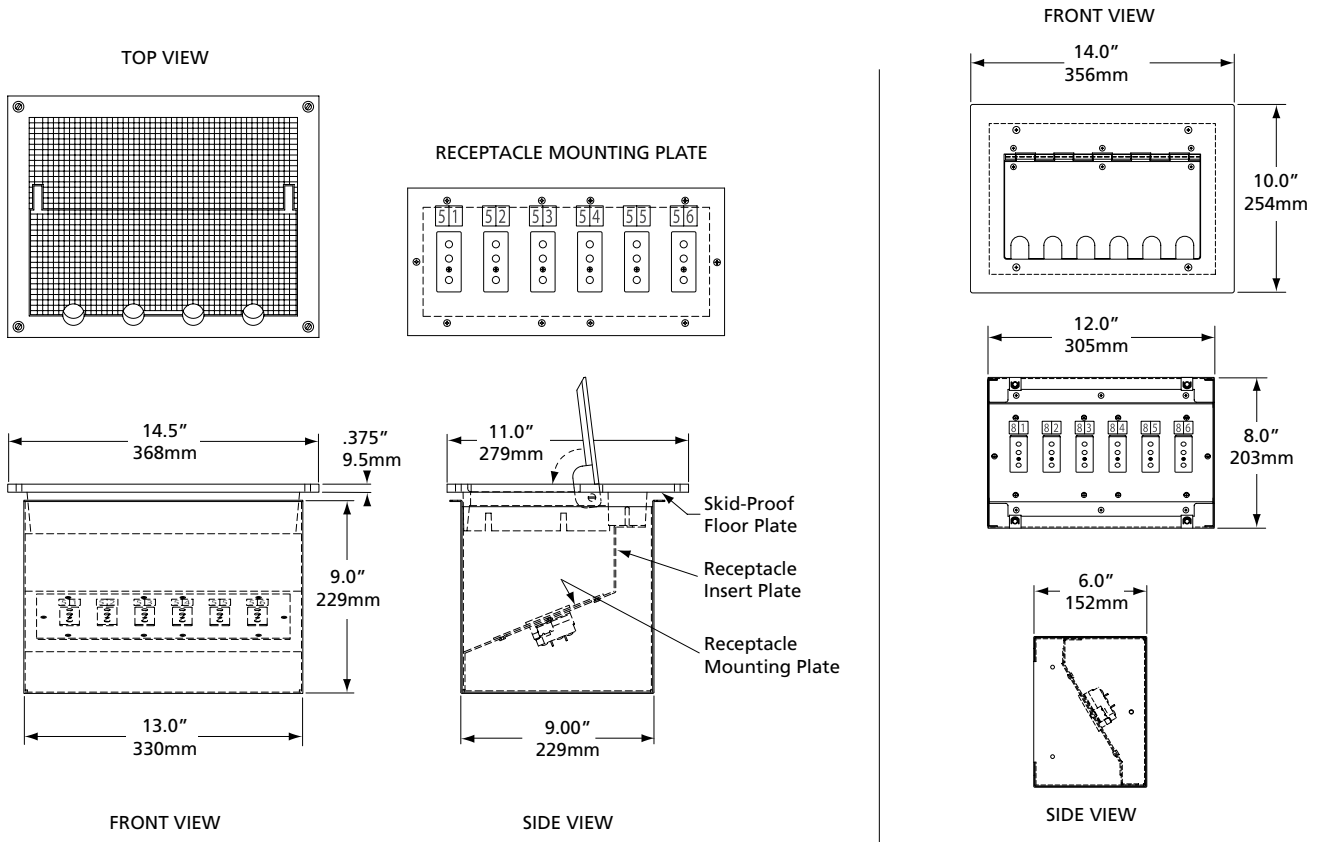
Standard Recessed Mount Pigtail Boxes

Pigtail Qty.	Edison	Pin	Twistlock
1	9401A	9401B	9401C
2	9402A	9402B	9402C
3	9403A	9403B	9403C
4	9404A	9404B	9404C
5	9405A	9405B	9405C
6	9406A	9406B	9406C
8	9408A	9408B	9408C

For outlets not listed, use manufacturer's part number (must be UL listed).

CUSTOM DISTRIBUTION BOXES ARE AVAILABLE. CONTACT ETC. PLEASE SPECIFY CIRCUIT NUMBERS FOR EACH BOX OR SERIES OF BOXES WHEN ORDERING.

Distribution Series



GENERAL INFORMATION

Floor and Wall Pockets are designed for recess mounting in floors and walls of theatres, television studios and other spaces for distribution of lighting circuits.

FEATURES

- 1, 2, 3, 4, 5, and 6 connectors
- Connector Options:
 - Duplex Edison (20A)
 - Stage Pin (20, 60 and 100 amp)
 - Grounded Twist-Lock (20A)
- Listed by a nationally recognized test lab (NRTL)

FLOOR POCKET

- 3/8" cast iron hinged cover with a non-skid tread pattern and cable notches
- .75" labels with white numbers on black background

WALL POCKET

- Fabricated from 18-gauge steel with 16 gauge covers
- Finished with black fine-textured, scratch-resistant powder coat
- .75" labels with white numbers on black background

ORDERING INFORMATION

Standard Floor Pockets

Outlet Qty.	Edison	Pin	Twistlock
1	8501AD	8501B	8501C
2	8502AD	8502B	8502C
3	8503AD	8503B	8503C
4	8504AD	8504B	8504C
5	8505AD	8505B	
6		8506B	

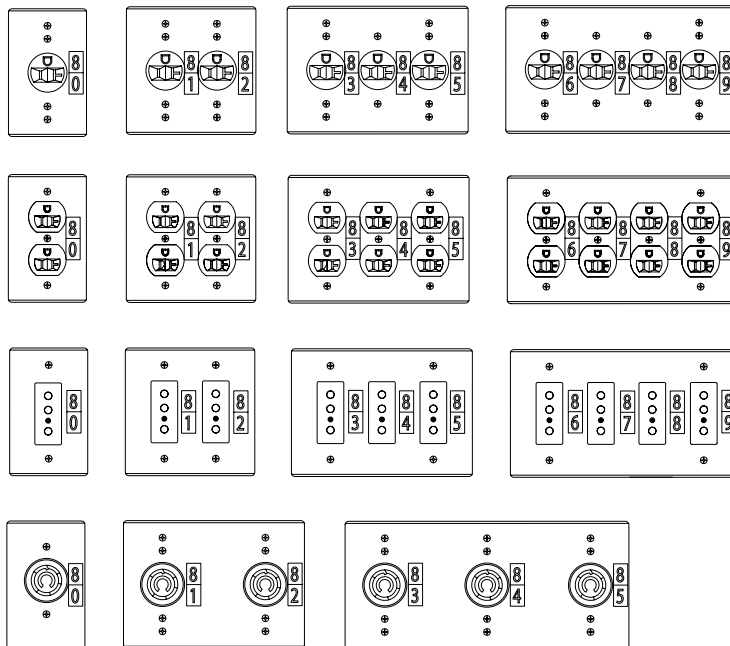
Standard Wall Pockets

Outlet Qty.	Edison	Pin	Twistlock
1	9601AD	9601B	9601C
2	9602AD	9602B	9602C
3	9603AD	9603B	9603C
4	9604AD	9604B	9604C
5		9605B	
6		9606B	

For outlets not listed, use manufacturer's part number (must be UL listed).

CUSTOM DISTRIBUTION BOXES ARE AVAILABLE. CONTACT ETC.

PLEASE SPECIFY CIRCUIT NUMBERS FOR EACH BOX OR SERIES OF BOXES WHEN ORDERING.



GENERAL INFORMATION

An alternative to surface and recessed outlet boxes, NEMA Panels are designed for recessed mounting in discreet small spaces or existing back boxes – balcony rails and orchestra pits.

NEMA panels are designed for use with customer-supplied industry standard electrical back boxes.

FEATURES

- 1, 2, 3, and 4 connectors
- 20A Connector Options:
 - Edison
 - Stage Pin
 - Grounded Twist-Lock
- Listed by a nationally recognized test lab (NRTL)

PHYSICAL

- Fabricated of .125 aluminum
- Finished with fine-textured, scratch-resistant, black powder coat
- Custom finishes available
- 3/4" labels with white numbers on black background
- Surface mount back box available (3.5" deep)

ORDERING INFORMATION

Standard NEMA Connector Panels

Model #	Description	RACO Back Box Part #
9801A	1 single Edison connector	690
9802A	2 single Edison connectors	691
9803A	3 single Edison connectors	692
9804A	4 single Edison connectors	693
9801AD	1 Duplex Edison connector	690
9802AD	2 Duplex Edison connectors	691
9803AD	3 Duplex Edison connectors	692
9804AD	4 Duplex Edison connectors	693
9801B	1 Stage Pin connector	690
9802B	2 Stage Pin connectors	691
9803B	3 Stage Pin connectors	692
9804B	4 Stage Pin connectors	693
9801C	1 Twistlock connector	690
9802C	2 Twistlock connectors	692
9803C	3 Twistlock connectors	694

CUSTOM DISTRIBUTION BOXES ARE AVAILABLE. CONTACT ETC.

PLEASE SPECIFY CIRCUIT NUMBERS FOR EACH BOX OR SERIES OF BOXES WHEN ORDERING.



Corporate Headquarters • 3031 Pleasant View Rd, PO Box 620979, Middleton WI 53562 0979 USA • Tel +1 608 831 4116 • Fax +1 608 836 1736
 London, UK • Unit 26-28, Victoria Industrial Estate, Victoria Road, London W3 6UU, UK • Tel +44 (0)20 8896 1000 • Fax +44 (0)20 8896 2000
 Rome, IT • Via Pieve Torina, 48, 00156 Rome, Italy • Tel +39 (06) 32 111 683 • Fax +44 (0)20 8896 2000
 Holzkirchen, DE • Ohmstrasse 3, 83607 Holzkirchen, Germany • Tel +49 (80 24) 47 00-0 • Fax +49 (80 24) 47 00-3 00
 Hong Kong • Room 1801, 18/F, Tower 1 Phase 1, Enterprise Square, 9 Sheung Yuet Road, Kowloon Bay, Kowloon, Hong Kong • Tel +852 2799 1220 • Fax +852 2799 9325
 Web • www.etcconnect.com • Copyright©2013 ETC. All Rights Reserved. All product information and specifications subject to change. 7099L1004 Rev. D Printed in USA 06/13