

TEAC

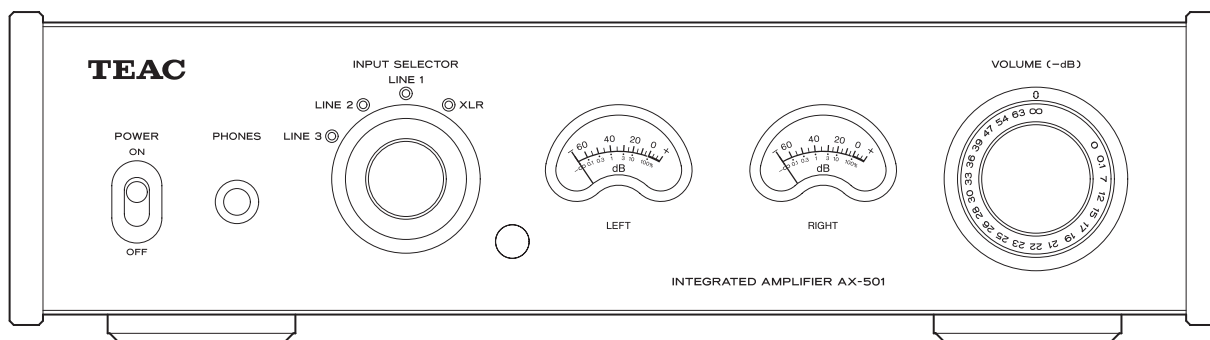
AX-501

INTEGRATED AMPLIFIER



OWNER'S MANUAL

MODE D'EMPLOI

MANUAL DEL USUARIO



IMPORTANT SAFETY PRECAUTIONS

	CAUTION RISK OF ELECTRIC SHOCK DO NOT OPEN	
CAUTION: TO REDUCE THE RISK OF ELECTRIC SHOCK, DO NOT REMOVE COVER (OR BACK). NO USER-SERVICEABLE PARTS INSIDE. REFER SERVICING TO QUALIFIED SERVICE PERSONNEL.		



The lightning flash with arrowhead symbol, within an equilateral triangle, is intended to alert the user to the presence of uninsulated "dangerous voltage" within the product's enclosure that may be of sufficient magnitude to constitute a risk of electric shock to persons.



The exclamation point within an equilateral triangle is intended to alert the user to the presence of important operating and maintenance (servicing) instructions in the literature accompanying the appliance.

WARNING: TO PREVENT FIRE OR SHOCK HAZARD, DO NOT EXPOSE THIS APPLIANCE TO RAIN OR MOISTURE.

CAUTION

- DO NOT REMOVE THE EXTERNAL CASES OR CABINETS TO EXPOSE THE ELECTRONICS. NO USER SERVICEABLE PARTS ARE INSIDE.
- IF YOU ARE EXPERIENCING PROBLEMS WITH THIS PRODUCT, CONTACT TEAC FOR A SERVICE REFERRAL. DO NOT USE THE PRODUCT UNTIL IT HAS BEEN REPAIRED.
- USE OF CONTROLS OR ADJUSTMENTS OR PERFORMANCE OF PROCEDURES OTHER THAN THOSE SPECIFIED HEREIN MAY RESULT IN HAZARDOUS RADIATION EXPOSURE.

IN USA/CANADA, USE ONLY ON 120 V SUPPLY.

For U.S.A.

This equipment has been tested and found to comply with the limits for a Class B digital device, pursuant to Part 15 of the FCC Rules. These limits are designed to provide reasonable protection against harmful interference in a residential installation. This equipment generates, uses, and can radiate radio frequency energy and, if not installed and used in accordance with the instructions, may cause harmful interference to radio communications. However, there is no guarantee that interference will not occur in a particular installation. If this equipment does cause harmful interference to radio or television reception, which can be determined by turning the equipment off and on, the user is encouraged to try to correct the interference by one or more of the following measures:

- Reorient or relocate the equipment and/or the receiving antenna.
- Increase the separation between the equipment and receiver.
- Connect the equipment into an outlet on a circuit different from that to which the receiver is connected.
- Consult the dealer or an experienced radio/TV technician for help.

CAUTION

Changes or modifications to this equipment not expressly approved by TEAC CORPORATION for compliance will void the user's warranty.

For Canada

Industry Canada's Compliance Statement:

This Class B digital apparatus complies with Canadian ICES-003.

Cet appareil numérique de la classe B est conforme à la norme NMB-003 du Canada.

DECLARATION OF CONFORMITY

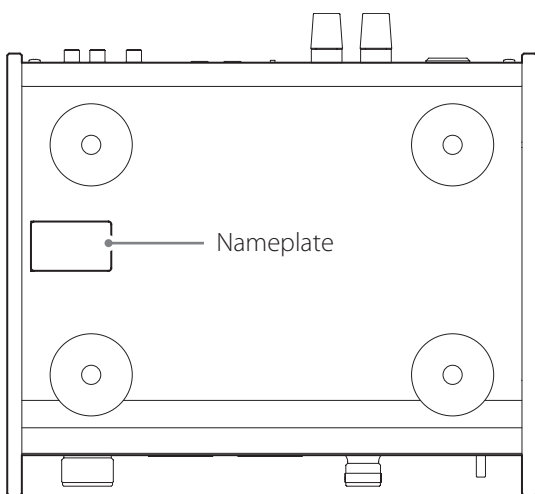
We, TEAC EUROPE GmbH, Bahnstrasse 12, 65205 Wiesbaden-Erbenheim, Germany declare in own responsibility, the TEAC product described in this manual is in compliance with the corresponding technical standards.



⚠ Precautions concerning batteries

Misuse of batteries could cause them to rupture or leak leading to fire, injury or the staining of nearby things. Please read and observe the following precautions carefully.

- Be sure to insert the batteries with correct positive (⊕) and negative (⊖) orientations.
- Use batteries of the same type. Never use different types of batteries together.
- If the remote control is not used for a long time (more than a month), remove the batteries to prevent them from leaking.
- If the batteries leak, wipe away the leakage inside the battery compartment and replace the batteries with new ones.
- Do not use batteries of types other than those specified. Do not mix new batteries with old ones or use different types of batteries together.
- Do not heat or disassemble batteries. Never throw batteries into fire or water.
- Do not carry or store batteries with other metallic objects. The batteries could short circuit, leak or explode.
- Never recharge a battery unless it is confirmed to be a rechargeable type.



Front side

IMPORTANT SAFETY INSTRUCTIONS

- 1) Read these instructions.
 - 2) Keep these instructions.
 - 3) Heed all warnings.
 - 4) Follow all instructions.
 - 5) Do not use this apparatus near water.
 - 6) Clean only with dry cloth.
 - 7) Do not block any ventilation openings. Install in accordance with the manufacturer's instructions.
 - 8) Do not install near any heat sources such as radiators, heat registers, stoves, or other apparatus (including amplifiers) that produce heat.
 - 9) Do not defeat the safety purpose of the polarized or grounding-type plug. A polarized plug has two blades with one wider than the other. A grounding type plug has two blades and a third grounding prong. The wide blade or the third prong are provided for your safety. If the provided plug does not fit into your outlet, consult an electrician for replacement of the obsolete outlet.
 - 10) Protect the power cord from being walked on or pinched particularly at plugs, convenience receptacles, and the point where they exit from the apparatus.
 - 11) Only use attachments/accessories specified by the manufacturer.
 - 12) Use only with the cart, stand, tripod, bracket, or table specified by the manufacturer, or sold with the apparatus. When a cart is used, use caution when moving the cart/apparatus combination to avoid injury from tip-over.
 - 13) Unplug this apparatus during lightning storms or when unused for long periods of time.
 - 14) Refer all servicing to qualified service personnel. Servicing is required when the apparatus has been damaged in any way, such as power-supply cord or plug is damaged, liquid has been spilled or objects have fallen into the apparatus, the apparatus has been exposed to rain or moisture, does not operate normally, or has been dropped.
- The apparatus draws nominal non-operating power from the AC outlet with its POWER or STANDBY/ON switch not in the ON position.
 - The mains plug is used as the disconnect device, the disconnect device shall remain readily operable.
 - Caution should be taken when using earphones or headphones with the product because excessive sound pressure (volume) from earphones or headphones can cause hearing loss.



CAUTION


- Do not expose this apparatus to drips or splashes.
- Do not place any objects filled with liquids, such as vases, on the apparatus.
- Do not install this apparatus in a confined space such as a book case or similar unit.
- The apparatus should be located close enough to the AC outlet so that you can easily reach the power cord plug at any time.
- If the product uses batteries (including a battery pack or installed batteries), they should not be exposed to sunshine, fire or excessive heat.
- CAUTION for products that use replaceable lithium batteries: there is danger of explosion if a battery is replaced with an incorrect type of battery. Replace only with the same or equivalent type.

WARNING


Products with Class I construction are equipped with a power supply cord that has a grounding plug. The cord of such a product must be plugged into an AC outlet that has a protective grounding connection.

For European Customers

Disposal of electrical and electronic equipment

- (a) All electrical and electronic equipment should be disposed of separately from the municipal waste stream via collection facilities designated by the government or local authorities.
- (b) By disposing of electrical and electronic equipment correctly, you will help save valuable resources and prevent any potential negative effects on human health and the environment.
- (c) Improper disposal of waste electrical and electronic equipment can have serious effects on the environment and human health because of the presence of hazardous substances in the equipment.
- (d) The Waste Electrical and Electronic Equipment (WEEE) symbol, which shows a wheeled bin that has been crossed out, indicates that electrical and electronic equipment must be collected and disposed of separately from household waste. 
- (e) Return and collection systems are available to end users. For more detailed information about the disposal of old electrical and electronic equipment, please contact your city office, waste disposal service or the shop where you purchased the equipment.

Disposal of batteries and/or accumulators

- (a) Waste batteries and/or accumulators should be disposed of separately from the municipal waste stream via collection facilities designated by the government or local authorities.
- (b) By disposing of waste batteries and/or accumulators correctly, you will help save valuable resources and prevent any potential negative effects on human health and the environment.
- (c) Improper disposal of waste batteries and/or accumulators can have serious effects on the environment and human health because of the presence of hazardous substances in them.
- (d) The WEEE symbol, which shows a wheeled bin that has been crossed out, indicates that batteries and/or accumulators must be collected and disposed of separately from household waste. 

If a battery or accumulator contains more than the specified values of lead (Pb), mercury (Hg), and/or cadmium (Cd) as defined in the Battery Directive (2006/66/EC), then the chemical symbols for those elements will be indicated beneath the WEEE symbol.

- (e) Return and collection systems are available to end users. For more detailed information about the disposal of waste batteries and/or accumulators, please contact your city office, waste disposal service or the shop where you purchased them.

Contents

Thank you for choosing TEAC. Read this manual carefully to get the best performance from this unit.

Included items.....	5
Before use.....	6
Maintenance.....	7
Connecting speakers.....	7
Using the remote control.....	9
Connecting equipment.....	10
Names and functions of parts (main unit).....	12
Names and functions of parts (remote control).....	13
Basic operation.....	14
Troubleshooting.....	15
Specifications.....	16

Included items

Check to be sure the box contains all the included items shown below.

Please contact the store where you purchased this unit if any of these items are missing or have been damaged during transportation.

Power cord × 1

Remote control unit (RC-1309) × 1

Batteries for remote control unit (AAA) × 2

Owner's manual (this document) × 1

- Keep this manual in a safe place for future reference.

Warranty card × 1

EN

Before use



Placement precautions

- Avoid placing the unit in direct sunlight or close to any source of heat, such as a radiator, heater, open fireplace or amplifier. Also avoid locations that are subject to vibrations or exposed to excessive dust, cold or moisture.
- Place the unit in a stable location near the audio system that you will use with it.
- As the unit could become warm during operation, always leave sufficient space around it for ventilation. When installing this unit, leave a little space (at least 3 cm or 1.2") between it and walls and other devices in order to allow good heat dissipation. When placing it in a rack, for example, leave at least 5 cm (2") open above it and 10 cm (4") open behind it. Failure to provide these gaps could cause heat to build up inside and result in fire.
- You may stack this unit with a PD-501HR or other 501 series units. However, if heat should cause the protection circuit to be activated and sound output stops suddenly, place this unit on top and with sufficient distance between it and walls and other devices in order to improve heat dissipation.
- Do not place CDs, CD-Rs, cassette tapes, other audio equipment or other items that are susceptible to heat on top of the unit. Doing so could damage these items.
- Do not put cloth on top of the unit or place the unit on top of bedding or thick carpets. Doing so could cause the unit to overheat and damage it.
- Do not move the unit during use.
- The voltage supplied to the unit should match the voltage printed on the rear panel. If you are in any doubt regarding this matter, consult an electrician.
- Do not open the body of the unit as this might result in damage to the circuitry or cause electric shock. If a foreign object should get into the unit, contact your dealer or TEAC customer support.
- When removing the power plug from the wall outlet, always pull directly on the plug; never yank on the cord.
- Depending on the electromagnetic waves of television broadcasts, interference might appear on television screens when this unit is on. This does not mean that this unit or the TV is malfunctioning. If this occurs, turn this unit off.

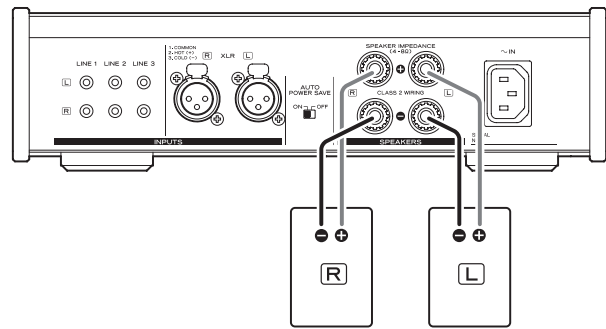
Maintenance

If the surface of the unit becomes dirty, wipe it with a soft dry cloth. If the unit becomes very dirty, dampen a soft cloth slightly with a diluted neutral cleanser and thoroughly wring out any excess fluid before using the cloth to wipe the unit.

⚠ For your safety, disconnect the power cord from the socket before cleaning.

- Never spray liquid directly on the unit.
- Do not use thinner or alcohol as they could damage the surface of the unit.
- Avoid allowing rubber or plastic materials to touch this product for long periods of time, because they could damage the cabinet.

Connecting speakers (1)



EN

⚠ Precautions when connecting speakers

- Connect the power plugs after all connections have been made.
- Carefully read the operation manuals of the devices that you are connecting and follow their instructions.

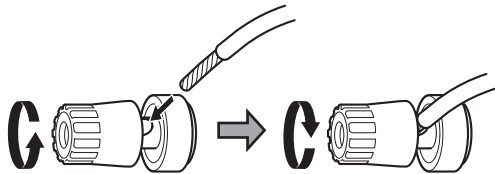
⚠ Caution

- This unit works with speakers that have nominal impedances between 4 Ω and 8 Ω . Use of speakers with impedances of less than 4 Ω , in particular, could cause the protection circuit to activate and sound output to stop. In some cases, damage could even occur to this unit and the speakers.
- This unit's red terminal is positive (\oplus) and its black terminal is negative (\ominus).
- If the exposed end of a core wire in a speaker cable contacts another cable or terminal, a short could occur.
- Never allow a speaker cable to short.
- To avoid noise, do not bundle the speaker cables with the power cord or other cables.

Connecting speakers (2)

Connecting speaker cables

- 1** Remove about 1 cm (0.4") of the sheath at the end of the speaker cable and twist the cable core well.
- 2** Turn the terminal cap left (counterclockwise) to loosen it.
- 3** Insert the wire into the hole in the terminal screw and turn the terminal cap right (clockwise) to connect it securely.



- Do not allow the cable sheath to touch the terminal.

- 4** Make sure it is connected securely by gently pulling on the cable.

Connecting speakers using banana plugs

You can also connect speakers using commercially available banana plugs. Connect the speaker cable to the banana plug first, and then insert the plug into the terminal.

- Loosen the terminal cap before using the banana plug.
- Carefully read the instructions of the banana plugs that you intend to use with this unit.

For European customers

In accordance with European safety regulations, it is not possible to connect banana plugs to the speaker terminals on European models. The holes into which banana plugs are inserted have been covered with black caps. Connect the speakers using spades or bare wires. If the black caps become separated from the terminals, return them to their original position.

Using the remote control

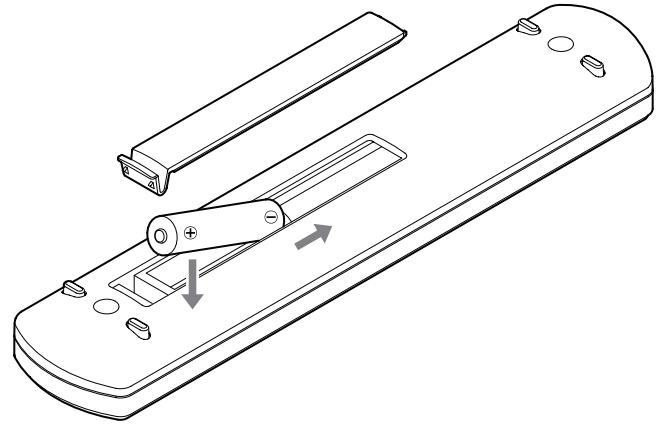
Precautions for use

⚠ Misuse of batteries could cause them to rupture or leak leading to fire, injury or the staining of items nearby. Please carefully read and observe the precautions on page 3.

- Point the remote control unit at the main unit's remote sensor from within 5 m (16 ft) of it. Make sure that there are no obstructions between the remote control and the main unit.
- If direct sunlight or strong artificial illumination shines on the remote sensor, the remote control might not function. If that is the case, move this unit to another location.
- If the remote control unit is operated near other devices that generate infrared rays, or if other remote control devices using infrared rays are used near the unit, it might operate incorrectly. The other devices might also operate incorrectly.

Battery installation

Remove the cover from the back of the remote control and insert two AAA batteries with their \oplus/\ominus ends oriented in the case as shown. Replace the cover.

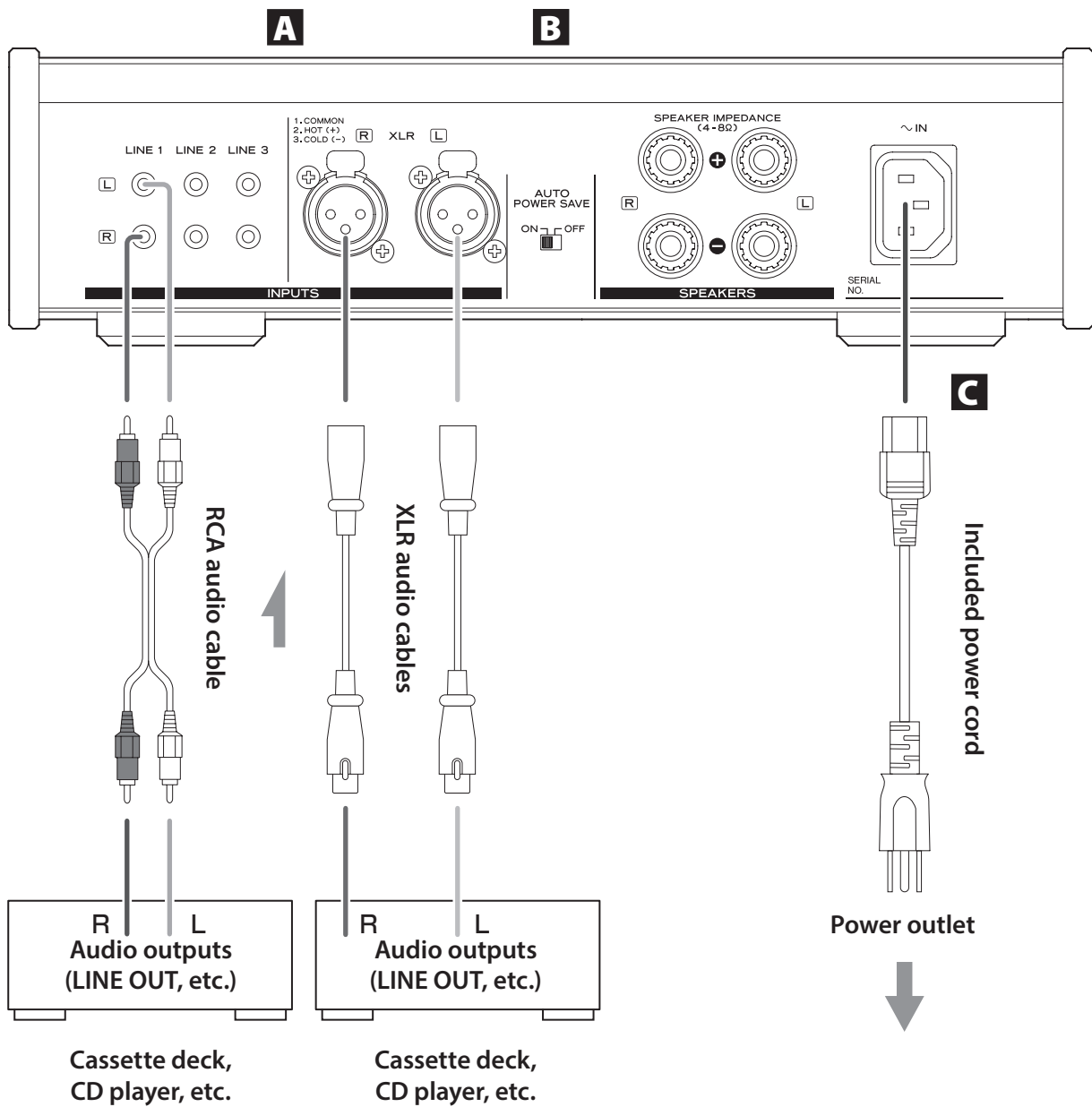


Battery replacement

If the operation range of the remote control decreases, the batteries have become exhausted. In this case, replace the batteries with new ones.

For detailed information about the collection of batteries, please contact your local municipality, your waste disposal service or the point of sale where you purchased the items.

Connecting equipment



A Analog audio input connectors (LINE 1), (LINE 2), (LINE 3), (XLR)

Use these to input stereo analog audio.
Connect cassette decks, CD players and other analog audio output devices to these connectors.

Use a commercially available audio cable to connect these devices.

LINE 1: RCA audio cable

LINE 2: RCA audio cable

LINE 3: RCA audio cable

XLR: Balanced XLR cable

Connect this unit's R jack with the R jack of the audio output device. Likewise, connect its L jack to the other in device's L jack.

- This unit's XLR connectors are 2: HOT.

B AUTO POWER SAVE switch

Use to turn the automatic power saving function ON and OFF.

When ON, the unit will automatically enter standby mode if there is no audio input for about 30 minutes.

- When in standby mode, turn this unit's INPUT SELECTOR or press a button on the remote control to turn the unit ON.

C Power inlet (~IN)

Insert the included power cord here. After completing all other connections, insert the power plug into a power outlet.

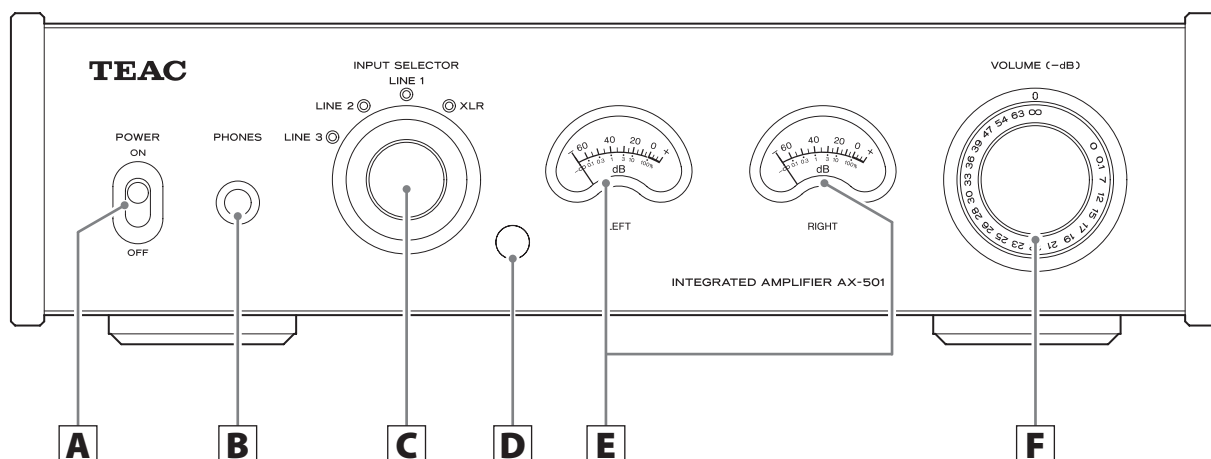
Unplug the cord from the outlet when not using the unit for a long time.

- ⚠ Use only the included power cord. Use of a different cord could cause fire or electric shock.

⚠ Do not turn the unit on until after making all connections.

- Carefully read the manuals of the devices that you are connecting and follow their instructions when making connections.
- Do not bundle connecting cables with power cords. Doing so could cause noise.
- Connect all plugs completely.

Names and functions of parts (main unit)



A POWER switch

Use to turn the unit ON and OFF.

B PHONES jack

Connect headphones with a standard 6.3 mm (1/4") stereo plug here.

C INPUT SELECTOR knob

Use to select the input source. The indicator for the selected input source lights.

D Remote control signal receiver

Signals from the remote control are received here. When using the remote control, point it toward this area.

E Level meters

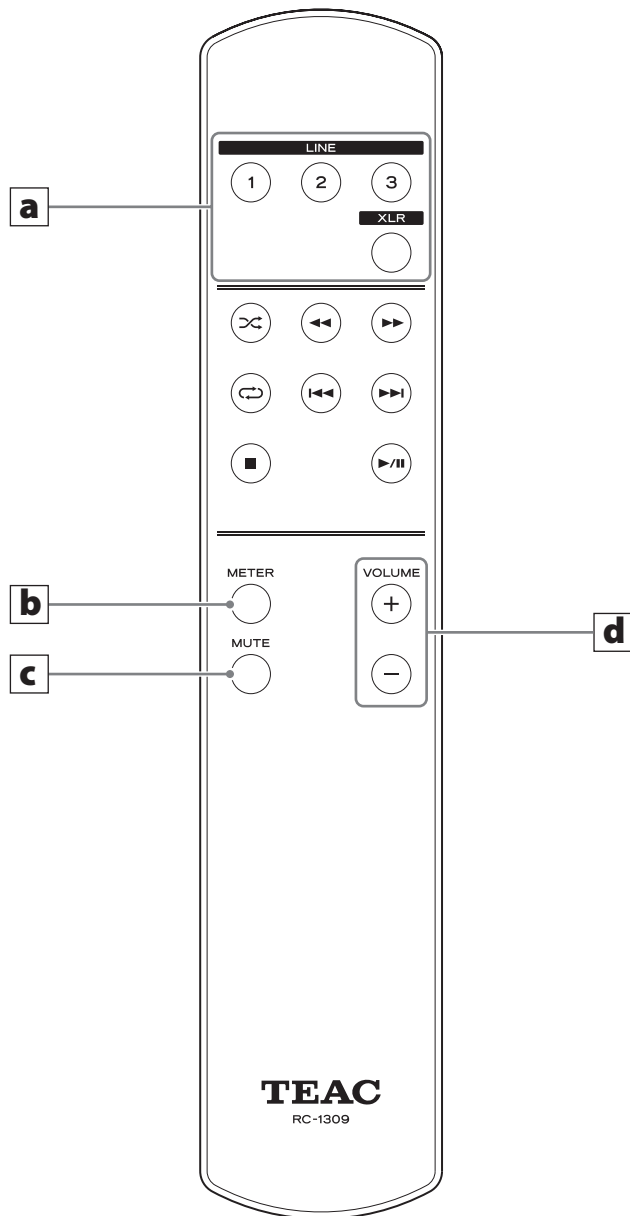
These show the output levels.

F VOLUME knob

Use to adjust the volume. Turn it clockwise (right) to increase it and counterclockwise (left) to decrease it.

The maximum volume is 0, and the minimum volume is $-\infty$ (minus infinity). Before turning the unit ON, set the VOLUME knob to $-\infty$. Failure to do so could result in sudden loud noises that could damage speakers and harm your hearing.

Names and functions of parts (remote control)



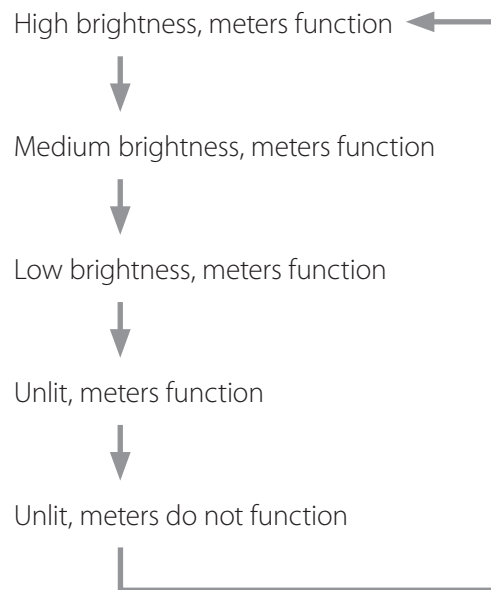
- The RC-1309 remote control supplied with the AX-501 can control both AX-501 and PD-501HR units. This manual explains how to use it with the AX-501.
- When both the main unit and the remote control have buttons with the same functions, this manual explains how to use either of them. The corresponding buttons can be used in the same manner.

a Input selection buttons

Use these to select the input source.

b METER Illumination adjustment button

Press this to change the meter illumination and operation settings. Press repeatedly to cycle through the illumination and operation settings in the following order.



c MUTE button

Press this to temporarily silence sound output. Press it again to restore sound output at the previous level.

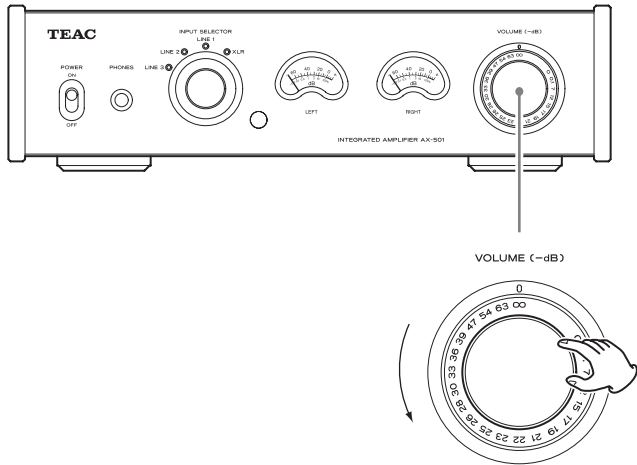
d VOLUME (+, -) buttons

Use to adjust the volume.

Basic operation

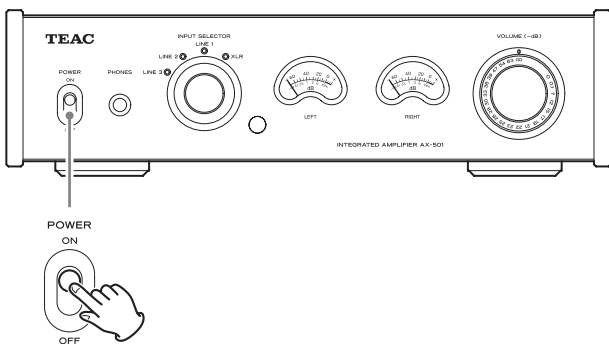
1 Minimize the volume.

Use the VOLUME knob or the remote control VOLUME buttons to minimize the volume.

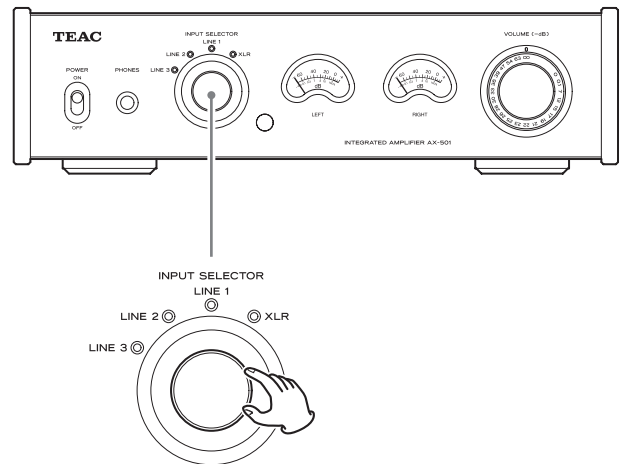


-∞ dB: Minimum volume
0 dB: Maximum volume

2 Set the POWER switch to ON.



3 Turn the INPUT SELECTOR knob to select the input source.

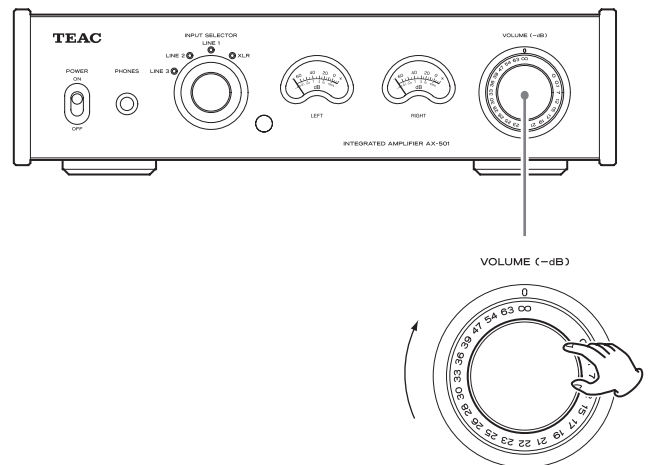


The indicator for the selected source lights.

4 Operate the playback device.

Refer to the operation manual of that device.

5 Adjust the volume.



-∞ dB: Minimum volume
0 dB: Maximum volume

Start playback on the source and use the VOLUME knob or remote control VOLUME buttons to adjust the volume to its optimal level.

Troubleshooting (1)

If you experience a problem with this unit, please check the following items before requesting service. If it still does not operate correctly, contact the retailer where you purchased the unit or TEAC customer support (see the back cover for contact information).

General

The unit will not turn on.

- ➔ Check that the power cord is completely plugged into the power outlet. If the outlet is switched, confirm that the switch is in the ON position.
- ➔ Connect a different electrical device to the outlet to confirm that it is supplying power.

No sound is output.

- ➔ Adjust the VOLUME knob. Turn it clockwise (right) to increase the volume (page 12).
- ➔ Use the INPUT SELECTOR knob to select the input that is connected to the source that you want to hear (page 14).
- ➔ Reconfirm connections with other equipment.

Remote control does not work.

- ➔ If the batteries are exhausted, replace both of them with new ones.
- ➔ The remote control will not work if there is an obstruction between it and the main unit. Point the remote control toward the main unit and use it within 5 m (16 ft) of the front panel.

There is a humming noise.

- ➔ If a connecting cable is near a power cord, fluorescent light or similar cause of interference, increase the distance between them as much as possible.

Troubleshooting (2)

There is no sound from one side of the headphones.

- ➔ Confirm that the headphones plug is inserted completely.

Sound output suddenly stopped.

- ➔ Heat might have caused the protection circuit to activate. Set the POWER switch to OFF once, and wait several minutes before restarting the unit.

The level meter lights are blinking and no sound is output.

- ➔ The + and – speaker cables might have shorted. Turn the unit OFF and check the speaker connections.

Automatic power saving caused the unit to enter standby.

- ➔ Shift the POWER switch to OFF once and then turn the unit back ON.

Since a microcomputer is used in this unit, it might not operate correctly sometimes due to noise and other interference from outside the unit. If this should occur, remove the AC cord from the power socket and wait a while before repowering the unit again.

Specifications

Amplifier

Maximum output 120 W + 120 W
(4 Ω, 1 kHz, JEITA)
70 W + 70 W
(8 Ω, 1 kHz, JEITA)

Rated output 100 W + 100 W
(4 Ω, 1 kHz, JEITA)
65 W + 65 W
(8 Ω, 1 kHz, JEITA)

Compatible speaker impedance range 4 Ω – 8 Ω

Total harmonic distortion 0.005%
(1 kHz, 8 Ω, 1 W, JEITA)

S/N ratio (input short)
LINE IN 100 dB (IHF-A)

Frequency range 10 Hz – 60 kHz (+1 dB, –5 dB)

Headphones output

Connector Standard 6.3 mm (1/4") stereo jack

Maximum output level 50 mW + 50 mW or more
(32 Ω, THD+N 0.005%)

Analog audio inputs

Connectors ······RCA jacks × 3 pairs
 Maximum input level ······3.5 Vrms
 Nominal input level ······0.3 Vrms

Connectors ······XLR connectors × 1 pair
 Maximum input level ······7.7 Vrms
 Nominal input level ······1.2 Vrms

General

Power supply
 Model for Europe ······AC 220 – 240 V, 50 Hz
 Model for USA/Canada ······AC 120 V, 60 Hz

Power consumption
 Models for Europe and USA/Canada ······68 W

External dimensions ······290 mm × 81.2 mm × 264 mm
 (11 1/2" × 3 1/4" × 10 1/2")
 (W × H × D including protrusions)

Weight ······4.0 kg (9 lb)

Operating temperature range ······+5°C to +35°C

Operating humidity range ····5% – 85% (no condensation)

Storage temperature range ······–20°C to +55°C

Included accessories

Power cord × 1
 Remote control unit (RC-1309) × 1
 Batteries for remote control unit (AAA) × 2
 Owner's Manual (this document) × 1
 Warranty card × 1

- Specifications and appearance are subject to change without notice.
- Weight and dimensions are approximate.
- Illustrations in this owner's manual might differ slightly from production models.

INSTRUCTIONS DE SÉCURITÉ IMPORTANTES

- N'exposez pas cet appareil aux gouttes ni aux éclaboussures.
- Ne placez pas d'objet rempli de liquide sur l'appareil, comme par exemple un vase.
- N'installez pas cet appareil dans un espace confiné comme une bibliothèque ou un meuble similaire.
- L'appareil tire un courant nominal de veille de la prise secteur quand son interrupteur POWER ou STANDBY/ON n'est pas en position ON.
- L'appareil doit être placé suffisamment près de la prise de courant pour que vous puissiez à tout moment atteindre facilement la fiche du cordon d'alimentation.
- La fiche secteur est utilisée comme dispositif de déconnexion et doit donc toujours rester disponible.
- Les produits de Classe I sont équipés d'un cordon d'alimentation ayant une fiche de terre. Le cordon de ces produits doit être branché dans une prise de terre.
- Si le produit utilise des batteries (y compris un pack d'accus ou des piles), elles ne doivent pas être exposées au soleil, au feu ou à une chaleur excessive.
- PRÉCAUTION pour les produits utilisant des batteries au lithium remplaçables : il existe un danger d'explosion en cas de remplacement par un type de batterie incorrect. Remplacez-les uniquement par des modèles identiques ou équivalents.
- Des précautions doivent être prises pour l'emploi d'écouteurs ou d'un casque avec le produit car une pression acoustique (volume) excessive dans les écouteurs ou dans le casque peut provoquer une perte d'audition.

Précautions concernant les piles

Une mauvaise utilisation des piles peut les amener à se rompre ou à fuir, entraînant un incendie, des blessures ou des tâches pour les objets voisins. Veuillez lire et observer attentivement les précautions suivantes.


- Assurez-vous d'insérer les piles en respectant les polarités plus (+) et moins (-).
- Utilisez des piles du même type. N'essayez jamais d'utiliser en même temps des types de pile différents.
- Si la télécommande doit rester utilisée pendant une longue période (plus d'un mois), retirez ses piles pour éviter leur fuite.
- Si les piles fuient, essuyez le liquide dans le compartiment des piles et remplacez les piles par des neuves.
- N'utilisez pas d'autres piles que les piles spécifiées. Ne mélangez pas des piles neuves avec des vieilles piles, et n'utilisez pas des piles de types différents en même temps.
- Ne chauffez pas et ne démontez pas les piles, et ne les jetez jamais dans le feu ou dans l'eau.
- Ne transportez pas et ne rangez pas les piles avec des objets métalliques. Les piles pourraient entrer en court-circuit, fuir ou exploser.
- Ne rechargez jamais une pile à moins d'être sûr qu'elle est d'un modèle rechargeable.

Pour les consommateurs européens

Mise au rebut des équipements électriques et électroniques

- (a) Tout équipement électrique et électronique doit être traité séparément de la collecte municipale d'ordures ménagères dans des points de collecte désignés par le gouvernement ou les autorités locales.
- (b) En vous débarrassant correctement des équipements électriques et électroniques, vous contribuerez à la sauvegarde de précieuses ressources et à la prévention de potentiels effets négatifs sur la santé humaine et l'environnement.
- (c) Le traitement incorrect des déchets d'équipements électriques et électroniques peut avoir des effets graves sur l'environnement et la santé humaine en raison de la présence de substances dangereuses dans les équipements.
- (d) Le symbole de déchets d'équipements électriques et électroniques (DEEE), qui représente une poubelle à roulettes barrée d'une croix, indique que l'équipement électrique et électronique doit être collecté et traité séparément des déchets ménagers. 
- (e) Des systèmes de retour et de collecte sont disponibles pour l'utilisateur final. Pour des informations plus détaillées sur la mise au rebut des vieux équipements électriques et électroniques, veuillez contacter votre mairie, le service d'ordures ménagères ou le magasin dans lequel vous avez acquis l'équipement.

Mise au rebut des batteries et/ou accumulateurs

- (a) Les batteries et/ou accumulateurs hors d'usage doivent être traités séparément de la collecte municipale d'ordures ménagères dans des points de collecte désignés par le gouvernement ou les autorités locales.
- (b) En vous débarrassant correctement des batteries et/ou accumulateurs hors d'usage, vous contribuerez à la sauvegarde de précieuses ressources et à la prévention de potentiels effets négatifs sur la santé humaine et l'environnement.
- (c) Le traitement incorrect des batteries et/ou accumulateurs hors d'usage peut avoir des effets graves sur l'environnement et la santé humaine car ils contiennent des substances dangereuses.
- (d) Le symbole de déchets d'équipements électriques et électroniques (DEEE), qui représente une poubelle à roulettes barrée d'une croix, indique que les batteries et/ou accumulateurs doivent être collectés et traités séparément des déchets ménagers. 
Pb, Hg, Cd
Si une batterie ou un accumulateur contient plus que les valeurs spécifiées de plomb (Pb), mercure (Hg) et/ou cadmium (Cd) telles que définies dans la directive sur les batteries (2006/66/EC), alors les symboles chimiques de ces éléments seront indiqués sous le symbole DEEE.
- (e) Des systèmes de retour et de collecte sont disponibles pour l'utilisateur final. Pour des informations plus détaillées sur la mise au rebut des batteries et/ou accumulateurs, veuillez contacter votre mairie, le service d'ordures ménagères ou le magasin dans lequel vous les avez achetés.

Sommaire

Nous vous remercions d'avoir choisi TEAC. Lisez ce mode d'emploi avec attention pour tirer les meilleures performances de cette unité.

Éléments fournis.....	19
Avant l'utilisation.....	20
Entretien.....	21
Branchement des enceintes.....	21
Emploi de la télécommande.....	23
Branchement de l'équipement.....	24
Nomenclature et fonctions des parties (unité principale).....	26
Nomenclature et fonctions des parties (télécommande).....	27
Fonctionnement de base.....	28
Guide de dépannage.....	29
Caractéristiques techniques.....	30

Éléments fournis

Vérifiez que l'emballage contient bien tous les éléments représentés ci-dessous.

Veillez contacter le magasin dans lequel vous avez acheté cette unité si l'un de ces éléments manque ou a été endommagé durant le transport.

Cordon d'alimentation × 1

Télécommande (RC-1309) × 1

Piles pour télécommande (AAA) × 2

Mode d'emploi (ce document) × 1

- Conservez ce mode d'emploi dans un endroit sûr pour référence ultérieure.

Carte de garantie × 1

FR

Précautions de placement

- Évitez d'exposer l'unité directement au soleil et de la placer près d'une quelconque source de chaleur telle qu'un radiateur, une bouche de chauffage, une cheminée ou un amplificateur. Évitez aussi les endroits sujets aux vibrations ou exposés à une poussière excessive, au froid et à l'humidité.
- Placez l'unité sur une surface stable près du système audio que vous allez utiliser avec elle.
- Il est possible que l'unité chauffe durant l'utilisation, laissez donc toujours un espace suffisant autour d'elle pour sa ventilation. Quand vous installez cette unité, laissez un peu d'espace (au moins 3 cm) entre elle et les murs et d'autres appareils afin de permettre une bonne dissipation thermique. Si vous la placez par exemple dans un rack, laissez au moins 5 cm de libre au-dessus de l'unité et 10 cm derrière elle. Ne pas laisser ces espaces peut entraîner une montée de température ayant pour résultat un incendie.
- Vous pouvez empiler cette unité avec un PD-501HR ou d'autres unités de la gamme 501. Toutefois, si la chaleur déclenche le circuit de protection et que le son se coupe brutalement, placez cette unité sur le dessus et à distance suffisante des murs et autres appareils afin d'améliorer la dissipation thermique.
- Ne placez pas de CD, CD-R, cassettes, autres équipements audio ou articles sensibles à la chaleur sur l'unité. Cela pourrait les endommager.
- Ne posez pas de tissu sur l'unité et ne posez pas celle-ci sur du linge de lit ou d'épais tapis. Cela pourrait faire surchauffer l'unité et l'endommager.
- Ne déplacez pas l'unité durant l'utilisation.
- La tension d'alimentation de l'unité doit correspondre à la tension imprimée sur son panneau arrière. Si vous avez des doutes à ce sujet, consultez un électricien.
- N'ouvrez pas le boîtier de l'unité car cela peut endommager le circuit ou causer un choc électrique. Si un objet étranger pénètre dans l'unité, consultez votre revendeur ou le service clientèle TEAC.
- Quand vous débranchez le cordon d'alimentation de la prise secteur, tirez toujours sur la prise, jamais sur le cordon.
- En fonction des ondes électromagnétiques de télédiffusion, des parasites peuvent apparaître sur les écrans de télévision quand cette unité est sous tension. Ce n'est pas un mauvais fonctionnement de cette unité ou du téléviseur. Si cela se produit, éteignez cette unité.

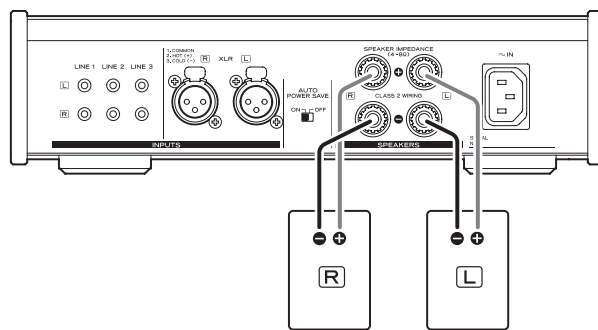
Entretien

Si la surface de l'unité est sale, essuyez-la avec un chiffon sec et doux. Si la surface de l'unité est très sale, humidifiez légèrement un chiffon doux avec un détergent neutre dilué et essorez-le bien pour éliminer tout liquide excessif avant de vous en servir pour nettoyer l'unité.

⚠ Pour votre sécurité, débranchez le cordon d'alimentation de la prise secteur avant tout nettoyage.

- Ne vaporisez jamais du liquide directement sur l'unité.
- N'utilisez pas de diluant ni d'alcool car ils peuvent endommager la surface de l'unité.
- Évitez un contact prolongé de l'unité avec des matériaux caoutchouteux ou plastiques car ceux-ci peuvent endommager le boîtier.

Branchement des enceintes (1)



⚠ Précautions lors du branchement des enceintes

- Branchez le cordon d'alimentation une fois toutes les autres connexions faites.
- Lisez attentivement les modes d'emploi des appareils que vous branchez et suivez leurs instructions.

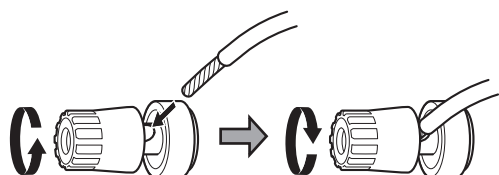
⚠ Attention

- Cette unité fonctionne avec des enceintes dont l'impédance nominale est comprise entre 4Ω et 8Ω . L'emploi d'enceintes d'impédance inférieure à 4Ω peut notamment déclencher le circuit de protection, ce qui coupe le son. Dans certains cas, cette unité et les enceintes peuvent même être endommagées.
- Le bornier rouge de cette unité est le plus (\oplus) et son bornier noir est le moins (\ominus).
- Si l'extrémité dénudée d'un conducteur de câble d'enceinte entre en contact avec un autre câble ou bornier, un court-circuit peut en résulter.
- Ne laissez jamais un câble d'enceinte entrer en court-circuit.
- Pour éviter tout bruit parasite, ne regroupez pas les câbles d'enceinte avec le cordon d'alimentation ou d'autres câbles.

Branchement des enceintes (2)

Branchement des câbles d'enceinte

- 1** Dénudez environ 1 cm de l'extrémité du câble d'enceinte et épissez-la bien.
- 2** Dévissez le capuchon du bornier dans le sens anti-horaire (vers la gauche).
- 3** Insérez le fil conducteur dans le trou du bornier à vis et revissez le capuchon dans le sens horaire (vers la droite) afin que le fil soit bien maintenu connecté.



- Ne laissez pas la gaine du câble toucher le bornier.

- 4** Assurez-vous qu'il est bien branché en tirant délicatement sur le câble.

Raccordement aux enceintes à l'aide de fiches bananes

Vous pouvez aussi raccorder les enceintes à l'aide de fiches bananes du commerce. Branchez d'abord le câble d'enceinte à la fiche banane, puis insérez la fiche dans le bornier.

- Desserrez le capuchon du bornier avant d'utiliser la fiche banane.
- Lisez attentivement les instructions des fiches bananes que vous comptez employer avec cette unité.

Pour les consommateurs européens

Conformément aux réglementations de sécurité européennes, il n'est pas possible de brancher des fiches banane dans les borniers d'enceinte des modèles européens. Les orifices dans lesquels s'insèrent les fiches banane ont été occultés par des capuchons noirs. Branchez les enceintes à l'aide de cosses à fourche ou de câbles nus. Si les capuchons noirs sortent des borniers, remettez-les en place.

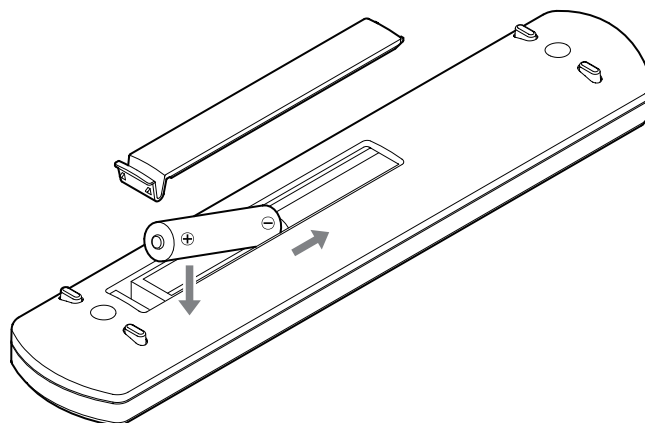
Précautions d'emploi

⚠ Un mauvais emploi des piles peut entraîner leur rupture ou leur fuite, avec pour conséquence un incendie, des blessures ou la salissure des objets proches. Veuillez attentivement lire et respecter les précautions en page 18.

- Pointez la télécommande vers le capteur correspondant de l'unité principale à moins de 5 mètres de cette dernière. Assurez-vous qu'il n'y a pas d'obstacle entre la télécommande et l'unité.
- Si le soleil ou une forte source de lumière artificielle donne sur le capteur de télécommande, cette dernière peut ne pas fonctionner. Si c'est le cas, déplacez cette unité ailleurs.
- Si la télécommande est employée à proximité d'autres appareils générant des rayons infrarouges, ou si d'autres télécommandes utilisant des rayons infrarouges sont utilisées près de l'unité, cette dernière peut ne pas bien fonctionner. Les autres appareils peuvent aussi mal fonctionner.

Mise en place des piles

Ouvrez l'arrière de la télécommande et insérez deux piles AAA avec leurs pôles \oplus / \ominus orientés comme illustré. Remplacez le couvercle.



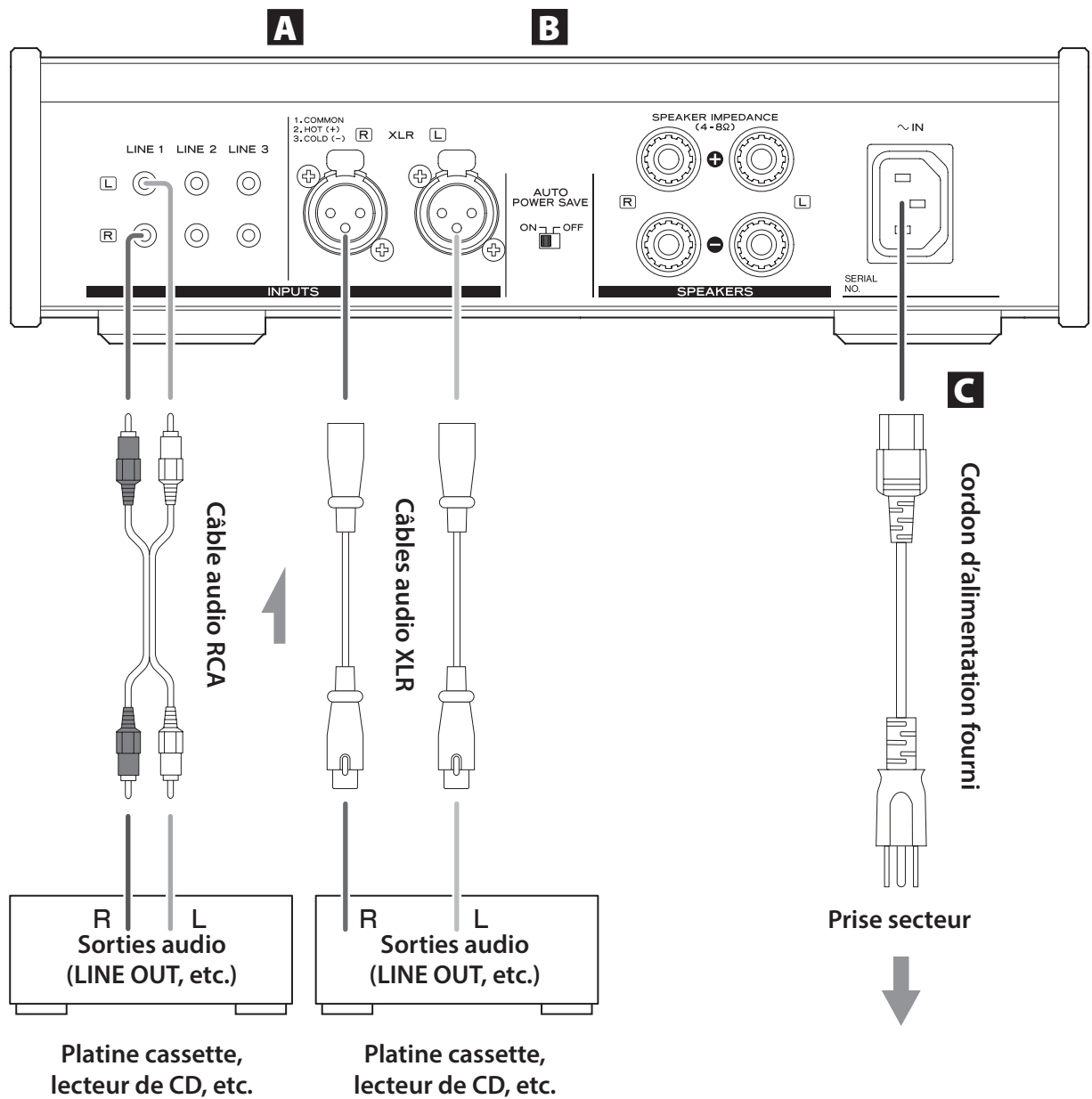
FR

Remplacement des piles

Si la portée de fonctionnement de la télécommande se réduit, c'est que les piles sont déchargées. Dans ce cas, remplacez-les par des neuves.

Pour des informations détaillées sur la collecte des piles, veuillez contacter votre mairie, votre service d'ordures ménagères ou le point de vente dans lequel vous avez acheté les articles.

Branchement de l'équipement



A Prises d'entrée audio analogique (LINE 1), (LINE 2), (LINE 3), (XLR)

Servent à recevoir l'audio analogique stéréo.

Branchez à ces prises des platines cassette, lecteurs de CD et autres appareils à sortie audio analogique.

Utilisez un câble audio du commerce pour relier ces appareils.

LINE 1 : câble audio RCA

LINE 2 : câble audio RCA

LINE 3 : câble audio RCA

XLR : câble XLR symétrique

Reliez la prise R (droite) de cette unité à la prise R de l'appareil à sortie audio. De même, reliez sa prise L (gauche) à la prise L de l'autre appareil.

- Les connecteurs XLR de cette unité ont le point chaud sur la broche 2.

B Commutateur AUTO POWER SAVE

Sert à mettre en ou hors service la fonction d'économie automatique d'énergie.

Sur ON, l'unité passe automatiquement en mode de veille si elle reste environ 30 minutes sans rien recevoir en entrée audio.

- Pour rallumer l'unité passée en mode de veille, tournez le bouton INPUT SELECTOR de cette unité ou pressez une touche de la télécommande.

C Prise d'entrée secteur (~IN)

Branchez ici le cordon d'alimentation fourni. Après avoir terminé tous les autres branchements, insérez la fiche du cordon d'alimentation dans une prise secteur.

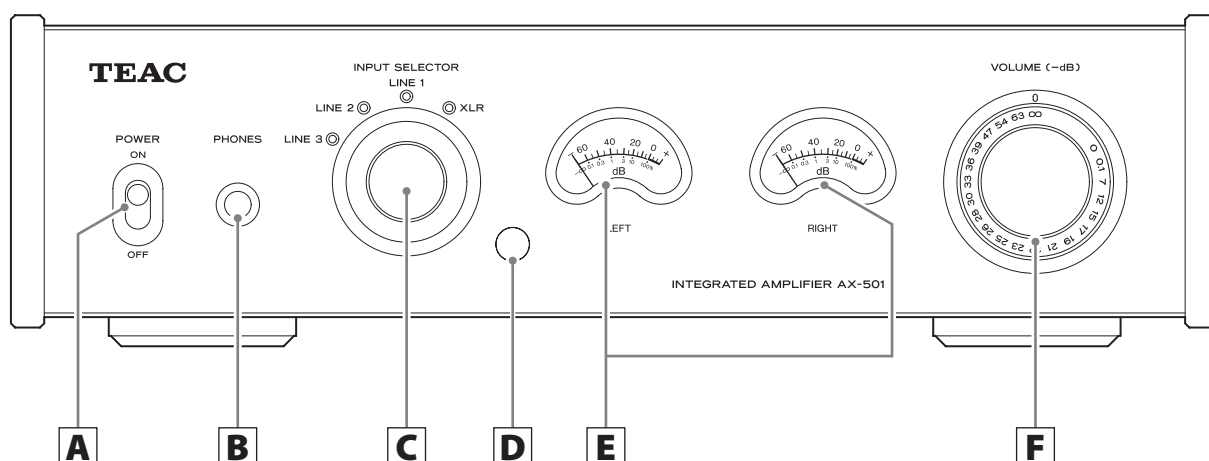
Débranchez le cordon de la prise secteur en cas de non-utilisation prolongée de l'unité.

- ⚠ N'utilisez que le cordon d'alimentation fourni. L'emploi d'un autre cordon peut entraîner un incendie ou un choc électrique.

⚠ Ne mettez l'unité sous tension qu'une fois toutes les connexions effectuées.

- Lisez attentivement les modes d'emploi des appareils que vous branchez et suivez leurs instructions quand vous faites les branchements.
- Ne regroupez pas les câbles de connexion avec des cordons d'alimentation. Cela pourrait entraîner des bruits.
- Branchez à fond toutes les fiches.

Nomenclature et fonctions des parties (unité principale)



A Interrupteur d'alimentation POWER

Sert à mettre l'unité sous et hors tension.

B Prise PHONES

Branchez ici un casque à fiche jack 6,35 mm stéréo standard.

C Bouton INPUT SELECTOR

Sert à sélectionner la source d'entrée. Le voyant de la source d'entrée sélectionnée s'allume.

D Capteur de signal de télécommande

Les signaux envoyés par la télécommande sont reçus ici. Lorsque vous utilisez la télécommande, pointez-la vers cette zone.

E Indicateurs de niveau

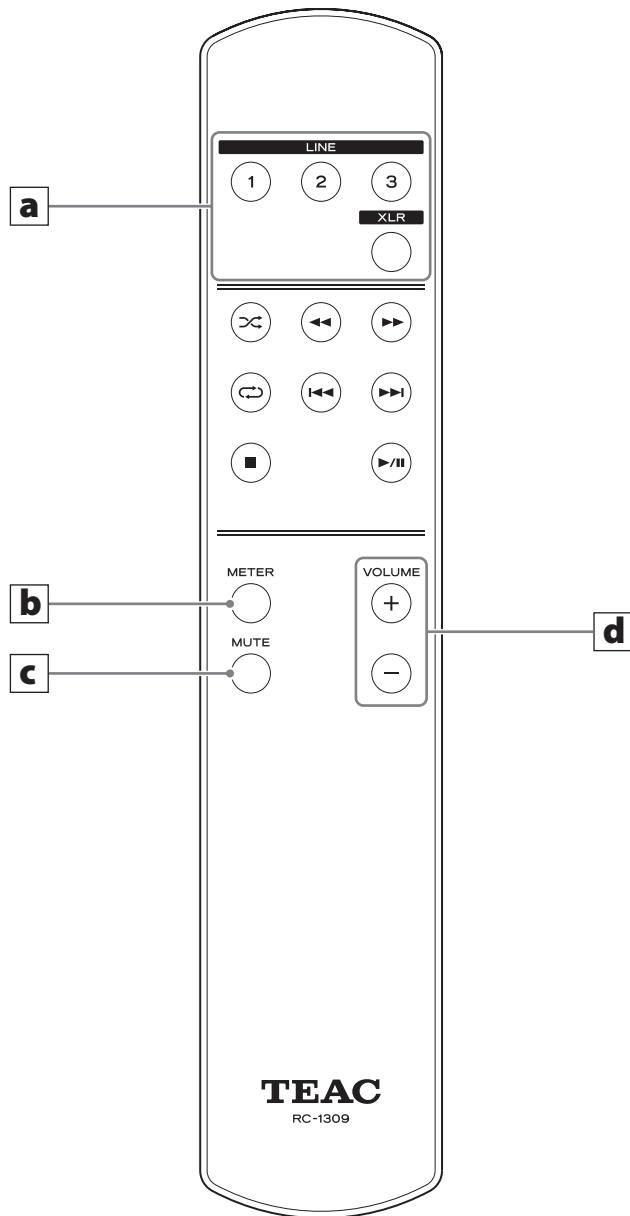
Ils affichent les niveaux de sortie.

F Bouton VOLUME

Sert à régler le volume. Tournez-le dans le sens horaire (vers la droite) pour augmenter le volume et dans le sens anti-horaire (vers la gauche) pour le baisser.

Le volume maximal est 0, et le volume minimal est $-\infty$ (moins l'infini). Avant de mettre l'unité sous tension, ramenez le bouton VOLUME sur $-\infty$. Ne pas le faire peut entraîner des bruits forts et soudains risquant d'endommager les haut-parleurs et d'altérer votre audition.

Nomenclature et fonctions des parties (télécommande)



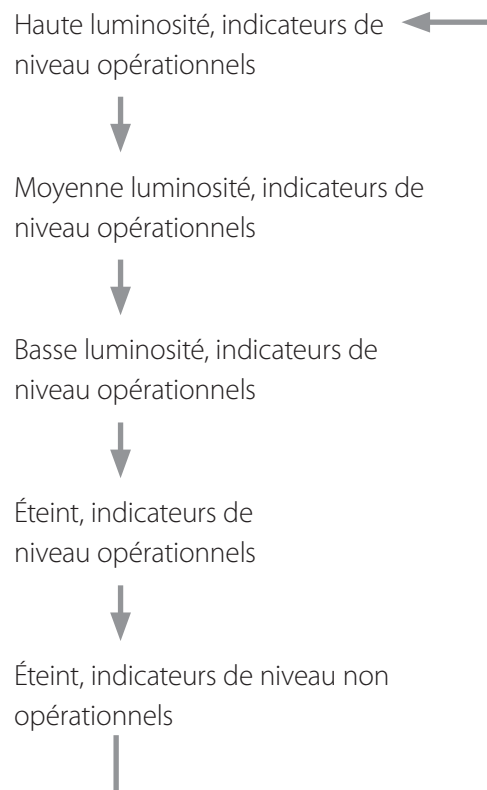
- La télécommande RC-1309 fournie avec l'AX-501 peut contrôler à la fois l'AX-501 et le PD-501HR. Ce mode d'emploi explique son emploi avec l'AX-501.
- Quand l'unité principale et la télécommande ont toutes les deux des touches ayant les mêmes fonctions, ce mode d'emploi explique comment utiliser l'une ou l'autre. La touche correspondante peut s'utiliser de la même façon.

a Touches de sélection d'entrée

Servent à sélectionner la source d'entrée.

b Touche de réglage de luminosité des indicateurs de niveau

Appuyez sur cette touche pour changer les réglages de luminosité et de fonctionnement des indicateurs de niveau. Appuyez à plusieurs reprises pour faire défiler les réglages de luminosité et de fonctionnement dans l'ordre suivant.



c Touche MUTE

Appuyez sur cette touche pour réduire temporairement la sortie du son au silence. Appuyez à nouveau pour rétablir le son à son niveau antérieur.

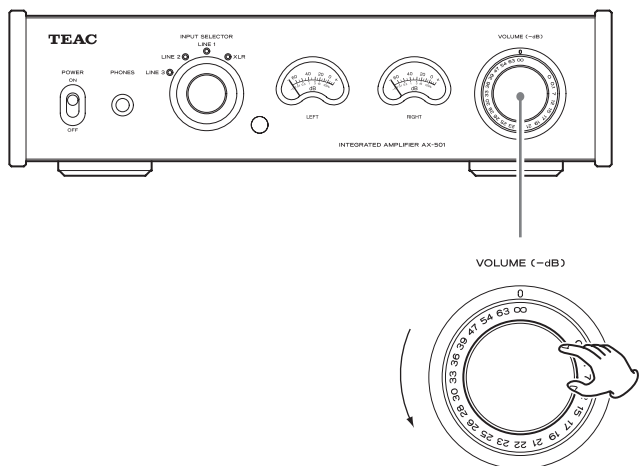
d Touches VOLUME (+, -)

Servent à régler le volume.

Fonctionnement de base

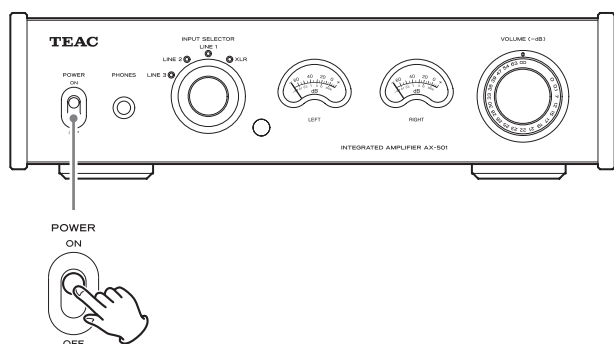
1 Minimisez le volume.

Utilisez le bouton VOLUME ou les touches VOLUME de la télécommande pour minimiser le volume.

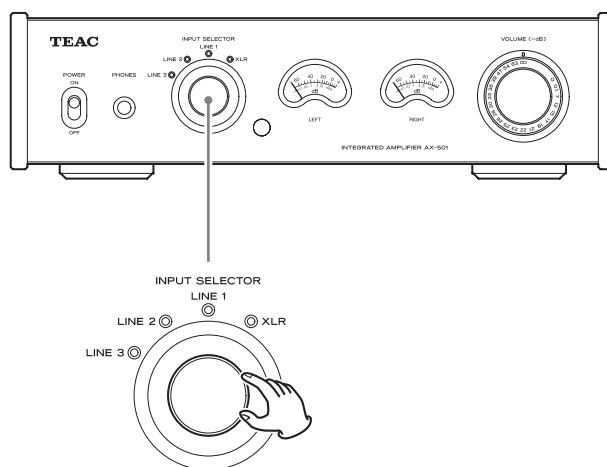


−∞ dB : volume minimal
0 dB : volume maximal

2 Basculez l'interrupteur d'alimentation POWER sur ON.



3 Tournez le bouton INPUT SELECTOR pour choisir la source d'entrée.

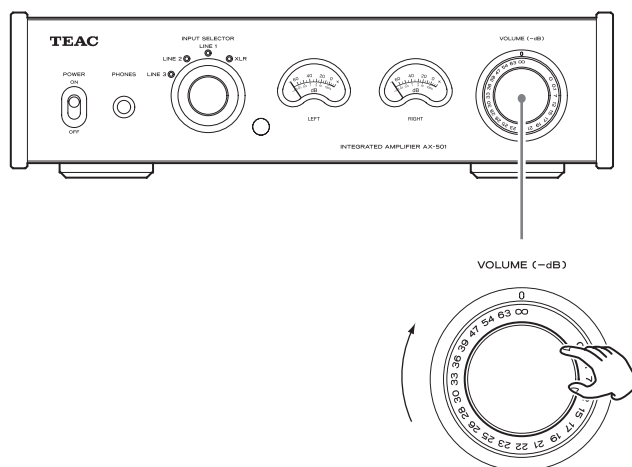


Le voyant de la source sélectionnée s'allume.

4 Faites jouer l'appareil source.

Référez-vous au mode d'emploi de cet appareil.

5 Réglez le volume.



−∞ dB : volume minimal
0 dB : volume maximal

Lancez la lecture sur la source et utilisez le bouton VOLUME ou les touches VOLUME de la télécommande pour régler un niveau de volume optimal.

Guide de dépannage (1)

Si vous avez des problèmes avec cette unité, veuillez vérifier les points suivants avant de demander une intervention. Si elle ne fonctionne toujours pas correctement, contactez le revendeur qui vous a vendu l'unité ou le service clientèle TEAC (coordonnées au dos).

Générales

L'unité ne s'allume pas.

- ➔ Vérifiez que le cordon d'alimentation est complètement enfoncé dans la prise secteur. Si la prise a un commutateur, vérifiez que celui-ci est en position ON.
- ➔ Branchez un autre appareil électrique à la prise pour vérifier qu'elle fournit bien du courant.

Aucun son n'est produit.

- ➔ Réglez le bouton VOLUME. Tournez-le dans le sens horaire (vers la droite) pour augmenter le volume (page 26).
- ➔ Avec INPUT SELECTOR, sélectionnez l'entrée à laquelle est branchée la source que vous désirez entendre (page 28).
- ➔ Re-vérifiez les branchements aux autres équipements.

La télécommande ne fonctionne pas.

- ➔ Si les piles sont déchargées, remplacez les deux par des neuves.
- ➔ La télécommande ne fonctionnera pas s'il y a un obstacle entre elle et l'unité principale. Pointez la télécommande vers l'unité principale et utilisez-la dans un rayon de 5 m par rapport à la face avant.

Il y a un bruit de ronflement.

- ➔ Si un câble de liaison est proche d'un cordon d'alimentation, d'un éclairage fluorescent ou d'une cause de parasites similaire, écartez-les autant que possible l'un de l'autre.

FR

Guide de dépannage (2)

Il n'y a pas de son d'un côté du casque.

- ➔ Vérifiez que la fiche du casque est enfoncée à fond.

Le son s'est coupé brutalement.

- ➔ La surchauffe peut avoir déclenché le circuit de protection. Réglez l'interrupteur d'alimentation sur OFF, et attendez quelques minutes avant de rallumer l'unité.

Les éclairages des indicateurs de niveau cliquent et aucun son ne sort.

- ➔ Les fils + et - d'une enceinte sont peut-être en court-circuit. Éteignez l'unité et vérifiez les branchements des enceintes.

L'économiseur automatique d'énergie a mis l'unité en veille.

- ➔ Basculez l'interrupteur d'alimentation sur OFF puis rallumez l'unité.

Comme cette unité utilise un micro-ordinateur, celui-ci peut parfois ne pas correctement fonctionner à cause de parasites et autres interférences extérieurs à l'unité. Si cela se produit, débranchez le cordon d'alimentation de la prise secteur et attendez un moment avant de ré-alimenter l'unité.

Caractéristiques techniques

Amplificateur

Sortie maximale 120 W + 120 W
(4 Ω, 1 kHz, JEITA)
70 W + 70 W
(8 Ω, 1 kHz, JEITA)

Sortie nominale 100 W + 100 W
(4 Ω, 1 kHz, JEITA)
65 W + 65 W
(8 Ω, 1 kHz, JEITA)

Plage de compatibilité d'impédance
des enceintes 4 Ω – 8 Ω

Distorsion harmonique totale 0,005 %
(1 kHz, 8 Ω, 1 W, JEITA)

Rapport signal/bruit (entrée court-circuitée)
Entrée LINE 100 dB (IHF-A)

Réponse en fréquence 10 Hz – 60 kHz (+1 dB, –5 dB)

Sortie casque

Connecteur Jack 6,35 mm stéréo standard

Niveau maximal de sortie 50 mW + 50 mW ou plus
(32 Ω, DHT+B 0,005 %)

Entrées audio analogiques

Connecteurs ····· Prises RCA × 3 paires
Niveau maximal d'entrée ····· 3,5 Vrms
Niveau nominal d'entrée ····· 0,3 Vrms

Connecteurs ····· Connecteurs XLR × 1 paire
Niveau maximal d'entrée ····· 7,7 Vrms
Niveau nominal d'entrée ····· 1,2 Vrms

Générales

Alimentation électrique

Modèle Europe ····· CA 220 – 240 V, 50 Hz

Modèle USA/Canada ····· CA 120 V, 60 Hz

Consommation électrique

Modèles Europe, USA/Canada ····· 68 W

Dimensions externes ····· 290 mm × 81,2 mm × 264 mm
(L × H × P hors tout)

Poids ····· 4,0 kg

Température de fonctionnement ····· +5°C à +35°C

Hygrométrie de fonctionnement ····· 5% – 85%
(sans condensation)

Température de stockage ····· –20°C à +55°C

Accessoires fournis

Cordon d'alimentation × 1
Télécommande (RC-1309) × 1
Piles pour télécommande (AAA) × 2
Mode d'emploi (ce document) × 1
Carte de garantie × 1

- Caractéristiques techniques et aspect sont sujets à changements sans préavis.
- Le poids et les dimensions sont des valeurs approchées.
- Les illustrations de ce mode d'emploi peuvent légèrement différer des modèles de production.

INSTRUCCIONES IMPORTANTES DE SEGURIDAD

- No exponga este aparato a salpicaduras ni goteras.
- No coloque objetos que contengan líquidos, como por ejemplo vasos, sobre el aparato.
- No instale este aparato en lugares cerrados tales como estanterías o similares.
- Este aparato libera corriente nominal no válida para el funcionamiento a través de la toma de corriente, aún cuando el interruptor de encendido y activación (POWER o STANDBY/ON) no esté en la posición de encendido (ON).
- Este aparato debe situarse lo suficientemente cerca de una toma de electricidad como para poder alcanzar fácilmente el cable de corriente en cualquier momento.
- El enchufe que se conecta a la red es el dispositivo de desconexión, por lo que deberá permanecer siempre en perfecto estado de uso.
- Los productos de construcción de Clase I están equipados con un cable de alimentación que tiene conexión de tierra. El cable de estos productos deberá conectarse a una toma de corriente que tenga conexión de protección de tierra.
- Si el producto utiliza pilas (esto incluye las pilas instaladas y los "packs" de pilas), se evitará su exposición directa al sol, al fuego o a cualquier otra fuente de calor excesivo.
- PRECAUCIÓN con los productos que emplean baterías de litio reemplazables: existe peligro de explosión si la batería se reemplaza por otra de tipo incorrecto. Reemplácela sólo por otra igual o de tipo equivalente.
- Deberá llevar cuidado si utiliza auriculares con este producto, ya que una excesiva presión sonora (volumen) procedente de los mismos puede causar pérdidas de audición.


Precauciones en relación a las pilas

Un mal uso de las pilas puede hacer que se rompan o que tengan fugas, y ello causar fuego, lesiones u oxidación en los objetos cercanos. Por favor, lea y observe las siguientes precauciones cuidadosamente.


- Asegúrese de introducir las pilas con la correcta orientación de los polos positivo (\oplus) y negativo (\ominus).
- Use pilas del mismo tipo. Nunca utilice juntas pilas de tipos diferentes.
- Si no va a utilizar el mando a distancia durante mucho tiempo (más de un mes), quite las pilas para evitar que se sulfaten y tengan fugas.
- Si las pilas presentan fugas, limpie el líquido que haya caído en el compartimento y sustituya las pilas por otras nuevas.
- No utilice pilas que no sean del tipo especificado. No mezcle pilas nuevas con viejas ni utilice juntas pilas de tipos distintos.
- No caliente ni desarme las pilas. Nunca tire pilas al fuego ni al agua.
- No transporte ni almacene pilas con otros objetos metálicos. Las pilas podrían producir cortocircuitos, perder líquido o explotar.
- Nunca recargue una pila si no está completamente seguro de que es una pila recargable.

Para consumidores europeos

Deshacerse de aparatos eléctricos y electrónicos

- (a) Todos los aparatos eléctricos y electrónicos deben ser eliminados separados del resto de basura común y únicamente en los "puntos limpios" o bajo los procedimientos especificados por el gobierno o autoridades municipales locales.
- (b) Con la eliminación correcta de los equipos eléctricos y electrónicos estará ayudando a conservar recursos muy valiosos y a evitar los posibles efectos negativos en la salud humana y en el medio ambiente.
- (c) La eliminación incorrecta de los equipos eléctricos y electrónicos puede producir efectos muy dañinos en el medio ambiente y en la salud humana a causa de las sustancias peligrosas que pueden encontrarse en estos equipos.
- (d) El símbolo de Eliminación de Aparatos Eléctricos y Electrónicos (WEEE en inglés), identificado por un cubo de basura con ruedas tachado, indica que los equipos eléctricos y electrónicos deben ser eliminados de forma totalmente independiente con respecto a la basura doméstica. 
- (e) Existen sistemas para la eliminación y recogida de este tipo de aparatos a disposición del usuario final. Si necesita más información acerca de la forma de deshacerse de aparatos eléctricos y electrónicos antiguos, póngase en contacto con su Ayuntamiento, con la correspondiente empresa del servicio de recogida de residuos o con el comercio en el que adquirió ese aparato.

Deshacerse de pilas y/o acumuladores

- (a) Las pilas y/o acumuladores gastados deben ser eliminados separados del resto de basura común y únicamente en los "puntos de recogida" o bajo los procedimientos especificados por el gobierno o autoridades municipales locales.
- (b) Con la eliminación correcta de las pilas y/o acumuladores gastados estará ayudando a conservar recursos muy valiosos y a evitar los posibles efectos negativos en la salud humana y en el medio ambiente.
- (c) La eliminación incorrecta de las pilas y/o acumuladores gastados puede producir efectos muy dañinos en el medio ambiente y en la salud humana con motivo de las sustancias peligrosas que pueden encontrarse en estos equipos.
- (d) El símbolo WEEE, identificado por un cubo de basura con ruedas tachado, indica que las pilas y/o acumuladores gastados deben ser eliminados de forma totalmente independiente con respecto a la **Pb, Hg, Cd** basura doméstica. 
Si una pila o un acumulador contienen más cantidad de los valores especificados de plomo (Pb), mercurio (Hg), y/o cadmio (Cd) según está definido en la Directiva relativa a las pilas (2006/66/EC), entonces los símbolos químicos correspondientes a estos elementos estarán indicados debajo del símbolo WEEE.
- (e) Existen sistemas para la eliminación y recogida a disposición del usuario final. Si necesita más información acerca de la forma de eliminar pilas y/o acumuladores gastados, póngase en contacto con su Ayuntamiento, con la correspondiente empresa del servicio de recogida de residuos o con el comercio donde se adquirieron.

Índice

Gracias por elegir TEAC. Lea detenidamente este manual para obtener el mejor rendimiento posible de esta unidad.

Accesorios incluidos	33
Antes de su utilización	34
Mantenimiento	35
Conexión de los altavoces.....	35
Utilización del mando a distancia.....	37
Conexión del equipo	38
Nombres y funciones de las partes (unidad principal) ..	40
Nombres y funciones de las partes (mando a distancia)..	41
Funcionamiento básico	42
Solución de posibles fallos	43
Especificaciones	44

Accesorios incluidos

Compruebe la caja para asegurarse de que contiene todos los accesorios que se enumeran más abajo.

Por favor, póngase en contacto con el establecimiento donde adquirió esta unidad en el caso de que cualquiera de estos accesorios falte o haya sufrido desperfectos durante el transporte.

Cable de corriente × 1

Mando a distancia (RC-1309) × 1

Pilas para el mando a distancia (AAA) × 2

Manual del usuario (este documento) × 1

- Conserve este manual en un lugar seguro para futuras consultas.

Tarjeta de garantía × 1

ES

Precauciones de emplazamiento

- Evite colocar la unidad donde le dé la luz solar directa o cerca de una fuente de calor, como por ejemplo un radiador, un calefactor, una chimenea o un amplificador. Evite también lugares sujetos a vibraciones y a polvo, calor, frío o humedad excesivos.
- Coloque la unidad en un emplazamiento estable cerca del equipo de audio con el que la vaya a utilizar.
- Como la unidad puede calentarse durante el funcionamiento, deje siempre suficiente espacio a su alrededor para la ventilación. Cuando instale esta unidad, deje un pequeño espacio (al menos 3 cm) entre ella y las paredes u otros dispositivos con el fin de permitir una buena disipación del calor. Cuando la instale en un rack, por ejemplo, deje al menos 5 cm de espacio abierto por encima y 10 cm por detrás. Si no lo hace, podría causar que el calor se acumule en su interior y provocar un incendio.
- Puede apilar esta unidad con un PD-501HR u otras unidades de la serie 501. Sin embargo, si el calor llegase a activar el circuito de protección y la salida de sonido se detuviese de repente, coloque esta unidad en la parte de arriba y con la suficiente distancia entre ella y las paredes u otros dispositivos con el fin de mejorar la disipación del calor.
- No coloque encima de la unidad CDs, CD-Rs, cintas de cassette, equipos de audio o cualquier otro objeto que sea susceptible de calentarse. Si lo hace, podría causar daños a dichos objetos.
- No coloque ningún paño ni tela encima de la unidad ni ponga la unidad sobre una cama o una moqueta o alfombra gruesa. Si lo hace podría causar un sobrecalentamiento a la unidad y dañarla.
- No mueva la unidad cuando esté en uso.
- El voltaje suministrado a la unidad deberá coincidir con el voltaje impreso en el panel posterior. Si tiene dudas al respecto, consulte a un electricista.
- No abra la carcasa porque podría causar daños en los circuitos o una descarga eléctrica. En caso de que se introduzca un objeto extraño en la unidad, contacte con su distribuidor o con un servicio TEAC de atención al cliente.
- Cuando desenchufe el cable de corriente de una toma de electricidad, tire siempre directamente del conector, nunca del cable.
- Dependiendo de las ondas electromagnéticas de las emisiones de televisión, podrían aparecer interferencias en las pantallas de las televisiones cuando esta unidad está encendida. Esto no significa que esta unidad o la televisión estén funcionando mal. Si esto ocurre, apague esta unidad.

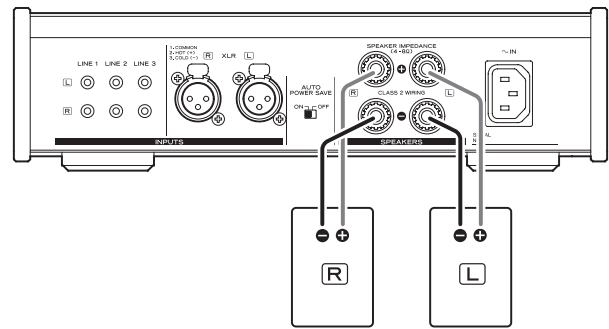
Mantenimiento

Si la superficie de esta unidad se ensucia, límpiela con un paño suave y seco. Si la unidad se ensucia mucho, humedezca ligeramente un paño suave con un líquido limpiador suave diluido y páselo eliminando cualquier exceso de líquido que pueda quedar antes de utilizar el paño para limpiar la unidad.

⚠ Por seguridad, desconecte el cable de corriente de la toma de electricidad antes de proceder a la limpieza.

- Nunca aplique ni rocíe líquidos directamente sobre esta unidad.
- No use disolvente ni alcohol, ya que pueden dañar la superficie de la unidad.
- Evite que materiales de goma o plástico estén en contacto con este producto durante largos periodos de tiempo porque podrían dañar la carcasa.

Conexión de los altavoces (1)



⚠ Precauciones al conectar los altavoces

- Conecte los enchufes de los cables de corriente una vez que se hayan hecho todas las demás conexiones.
- Lea atentamente los manuales de instrucciones de los aparatos que esté conectando y siga sus instrucciones.

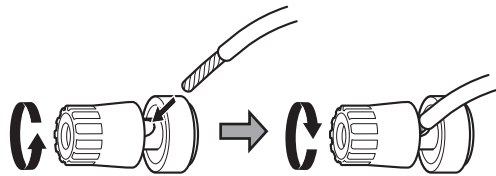
⚠ Precaución

- Esta unidad funciona con altavoces que tengan impedancias nominales entre 4Ω y 8Ω . El uso de altavoces con impedancias menores a 4Ω , en particular, podría hacer que el circuito de protección se activase y dejase de salir sonido. En algunos casos, podrían incluso dañarse la unidad y los altavoces.
- El terminal rojo de esta unidad es el positivo (\oplus) y el terminal negro es el negativo (\ominus).
- Si un extremo de cable pelado (es decir, con los hilos del cable al aire) de un altavoz entra en contacto con otro cable o terminal, se puede producir un cortocircuito. Evite que esto suceda.
- Nunca permita que un cable de altavoz entre en cortocircuito.
- Para evitar ruidos, no agrupe ni junte los cables de altavoces con el cable de corriente u otros cables.

Conexión de los altavoces (2)

Conexión de los cables de los altavoces

- 1** Quite aproximadamente 1 cm de la funda aislante del extremo del cable de altavoz y retuerza el cable entrelazando los hilos entre sí lo mejor posible.
- 2** Gire la cubierta del terminal hacia la izquierda (dirección contraria a las agujas del reloj) para aflojarla.
- 3** Inserte el cable en el agujero del tornillo del terminal y gire la cubierta del terminal hacia la derecha (dirección de las agujas del reloj) para afianzar la conexión.



- No deje que la funda aislante del cable toque el terminal.

- 4** Compruebe que la conexión ha quedado bien firme tirando ligeramente del cable.

Conexión de los altavoces usando conectores de tipo banana

También puede conectar los altavoces usando conectores de tipo banana de los disponibles en establecimientos comerciales. Conecte el cable de altavoz al conector banana primero y luego inserte el conector en el terminal.

- Afloje la cubierta del terminal antes de usar el conector de tipo banana.
- Lea cuidadosamente las instrucciones de los conectores banana que vaya a utilizar con esta unidad.

Para los clientes de Europa

De conformidad con los reglamentos de seguridad europeos, no es posible conectar clavijas de tipo banana en los terminales de altavoz de los modelos europeos. Los orificios en los que se introducen las clavijas de tipo banana están cubiertos con tapas negras. Conecte los altavoces utilizando enganches de horquilla o cables pelados. Si las tapas negras se llegaran a desprender de los terminales, vuelva a colocarlas en sus respectivos sitios originales.

Utilización del mando a distancia

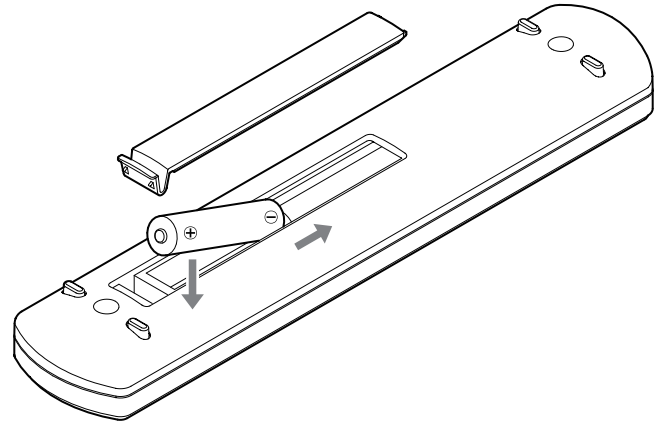
Precauciones de uso

⚠ Un mal uso de las pilas puede originar que se rompan o que tengan fugas y provocar fuego, daños u oxidación en objetos cercanos. Por favor, lea atentamente y observe las precauciones de la página 32.

- Dirija el mando a distancia hacia el sensor remoto de la unidad principal siempre dentro de un alcance máximo de 5 metros de distancia de la misma. Asegúrese de que no hay obstáculos entre la unidad principal y el mando a distancia.
- Si el sensor de control remoto recibe directamente la luz del sol o una luz artificial de mucha intensidad, el mando a distancia podría no funcionar. Si se da el caso, cambie esta unidad de sitio.
- El mando a distancia podría no funcionar correctamente si se usa cerca de otros productos que generen rayos infrarrojos o si se usan otros mandos a distancia que empleen rayos infrarrojos. Igualmente, los otros productos podrían funcionar también mal.

Instalación de las pilas

Quite la tapa de la parte posterior del mando a distancia e inserte en el compartimento dos pilas AAA con sus polos \oplus/\ominus orientados como se muestra en la figura. Vuelva a colocar la tapa.

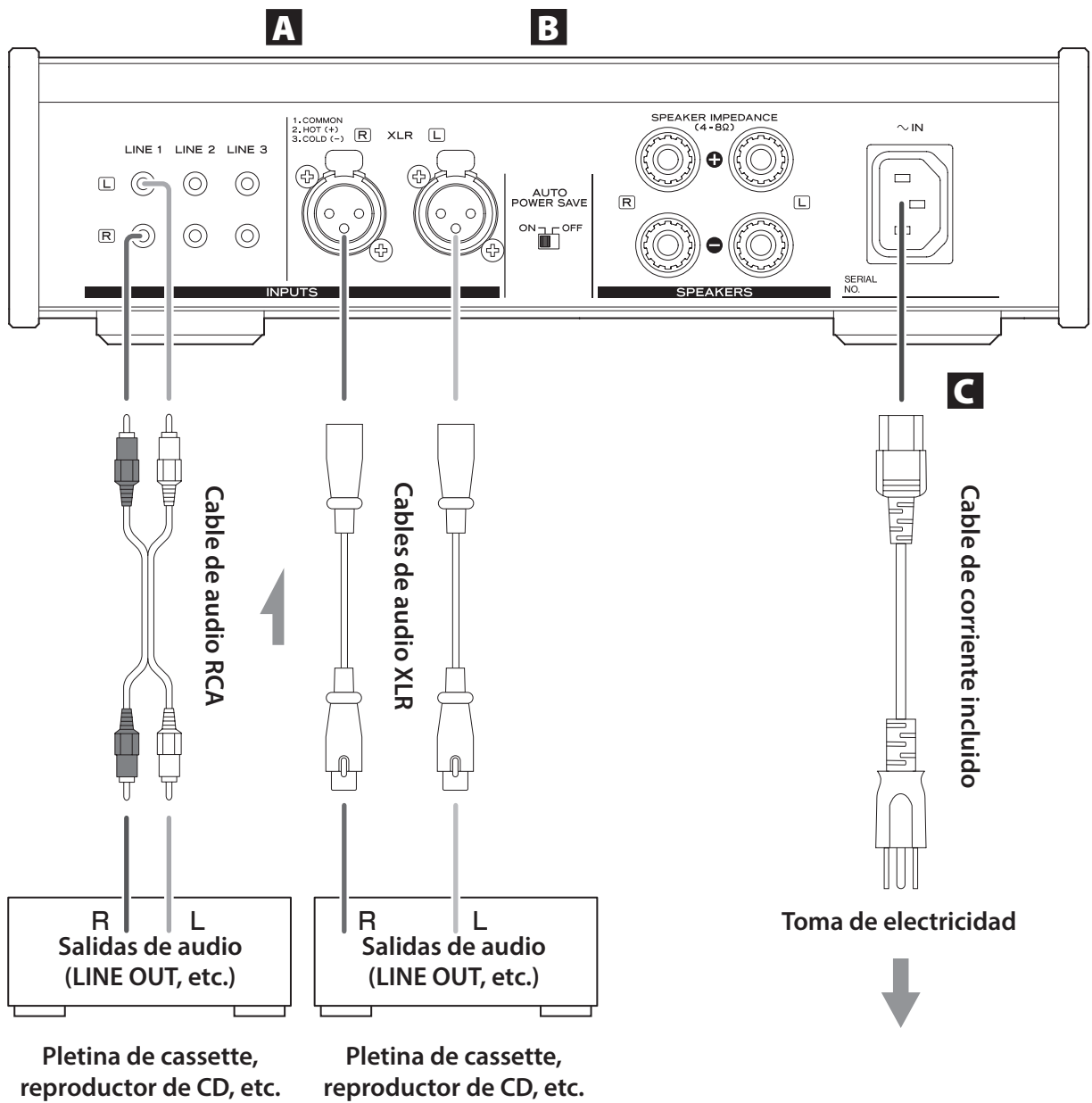


ES

Sustitución de las pilas

Si disminuye la distancia de funcionamiento entre el mando a distancia y la unidad principal, las pilas están gastadas. En ese caso, sustitúyalas por unas nuevas. Para más información sobre cómo deshacerse de las pilas, por favor contacte con su ayuntamiento, con el servicio local de recogida de residuos o con el punto de venta donde las compró.

Conexión del equipo



A Terminales de entrada de audio analógico (LINE 1), (LINE 2), (LINE 3), (XLR)

Utilícelos para introducir audio analógico estéreo. Conecte en estos terminales pletinas de cassette, reproductores de CD y otros dispositivos con salida de audio analógico.

Use un cable de audio de los disponibles en establecimientos comerciales para conectar estos dispositivos.

LINE 1: cable de audio RCA

LINE 2: cable de audio RCA

LINE 3: cable de audio RCA

XLR: cable XLR balanceado

Conecte el terminal R (derecha) de esta unidad con el terminal R del dispositivo de salida de audio. Igualmente, conecte el terminal L (izquierda) al terminal L del otro dispositivo.

- Los conectores XLR de esta unidad están configurados con el pin 2 como VIVO.

B Interruptor AUTO POWER SAVE

Utilícelo para activar (ON) y desactivar (OFF) la función de ahorro de energía automático.


Cuando está activado, la unidad automáticamente entra en modo de reposo si no hay ninguna entrada de audio durante aproximadamente 30 minutos.

- En el modo de reposo, gire el mando INPUT SELECTOR de la unidad o pulse un botón en el mando a distancia para encender la unidad.

C Receptáculo del cable de corriente (~IN)

Inserte aquí el cable de corriente incluido. Después de terminar todas las demás conexiones, enchufe el cable de corriente a una toma de electricidad.

Desenchufe el cable de corriente de la toma de electricidad si no va a usar la unidad durante un largo periodo de tiempo.

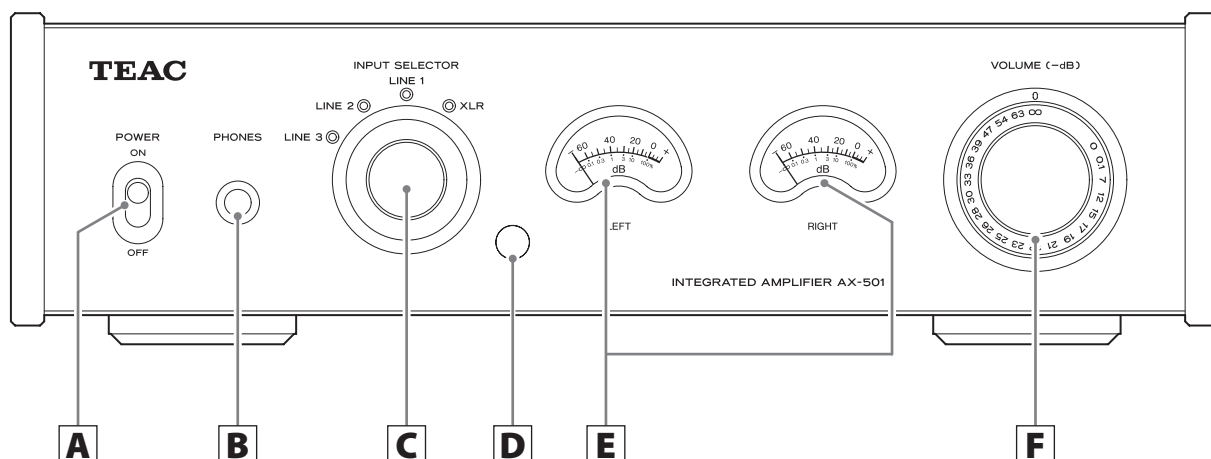
 Use solamente el cable de corriente incluido. El uso de un cable de corriente diferente podría causar fuego o una descarga eléctrica.

 **No encienda la unidad hasta haber hecho todas las conexiones.**

- Lea atentamente los manuales de los dispositivos que está conectando y siga sus instrucciones cuando haga las conexiones.
- No agrupe los cables de las conexiones con los cables de corriente. Si lo hace puede originarse ruido.
- Inserte todos los conectores hasta el fondo.

ES

Nombres y funciones de las partes (unidad principal)



A Interruptor POWER

Úselo para encender (ON) y apagar (OFF) la unidad.

B Terminal PHONES

Conecte aquí unos auriculares con un conector estándar estéreo de 6.3 mm (1/4").

C Mando INPUT SELECTOR

Úselo para seleccionar la fuente de entrada. El indicador de la fuente de entrada se iluminará.

D Receptor de señal del mando a distancia

Aquí se reciben las señales del mando a distancia. Cuando utilice el mando a distancia, diríjalo hacia esta zona.

E Medidores de nivel

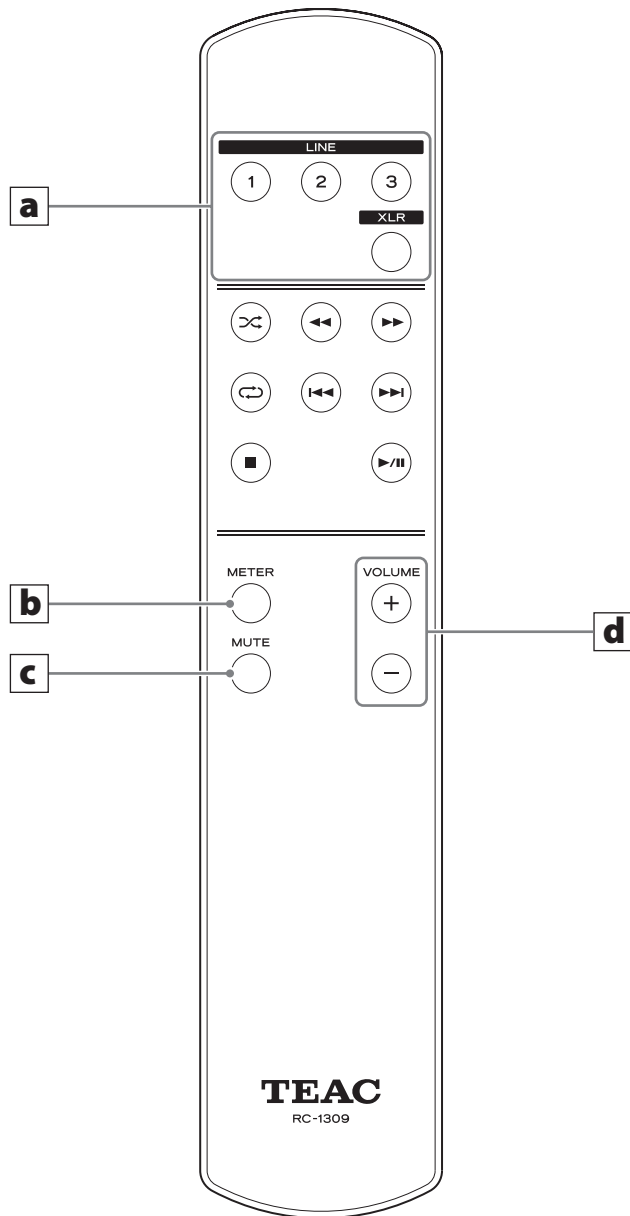
Muestran los niveles de salida.

F Mando VOLUME

Úselo para ajustar el volumen. Gírelo a la derecha (en la dirección de las agujas del reloj) para aumentarlo y hacia la izquierda (en la dirección contraria a las agujas del reloj) para disminuirlo.

El volumen máximo es 0 y el volumen mínimo es $-\infty$ (menos infinito). Antes de encender (ON) la unidad, sitúe el mando VOLUME en $-\infty$. Si no lo hace, podría causar ruido repentino a alto volumen capaz de originar daños a los altavoces y a sus oídos.

Nombres y funciones de las partes (mando a distancia)



- El mando a distancia RC-1309 suministrado con el AX-501 puede controlar tanto al AX-501 como al PD-501HR. Este manual explica cómo usarlo con el AX-501.
- Cuando tanto la unidad principal como el mando a distancia tengan botones con las mismas funciones, este manual explica cómo usar cualquiera de ellos. Los botones que se correspondan pueden ser utilizados de la misma manera.

a Botones de selección de entrada

Utilícelos para seleccionar la fuente de entrada.

b Botón de ajuste de la iluminación de los medidores de nivel METER

Púselo para cambiar los ajustes de iluminación y funcionamiento de los medidores de nivel. Pulse repetidamente para recorrer cíclicamente los ajustes de funcionamiento e iluminación en el orden siguiente:

Brillo alto, los medidores funcionan



Brillo medio, los medidores funcionan



Brillo bajo, los medidores funcionan



Apagados, los medidores funcionan



Apagados, los medidores no funcionan



c Botón MUTE

Púselo para silenciar la salida de sonido temporalmente. Vuelva a pulsarlo otra vez para restablecer la salida de sonido a su nivel anterior.

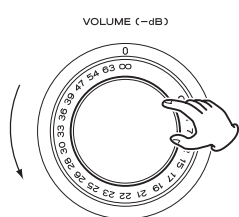
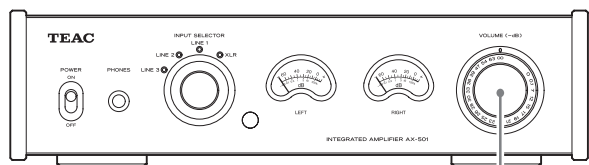
d Botones VOLUME (+, -)

Utilícelos para ajustar el volumen.

Funcionamiento básico

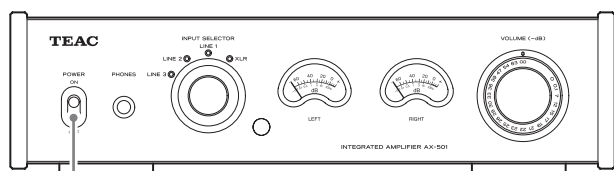
1 Ponga el volumen al mínimo.

Utilice el mando VOLUME o los botones VOLUME del mando a distancia para poner el volumen al mínimo.

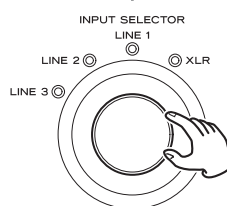
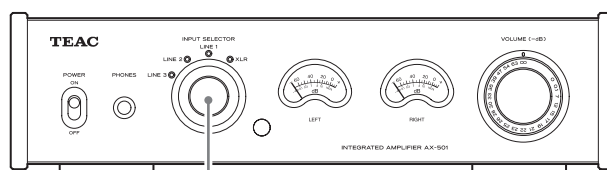


-∞ dB: volumen mínimo
0 dB: volumen máximo

2 Ponga el interruptor POWER en ON (encendido).



3 Gire el mando INPUT SELECTOR para seleccionar la fuente de entrada.

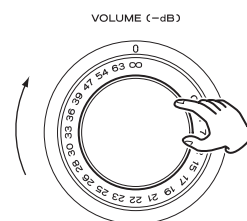
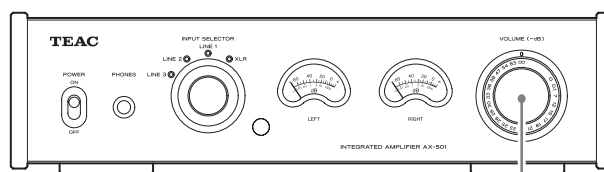


Se iluminará el indicador de la fuente seleccionada.

4 Ponga en funcionamiento el dispositivo de reproducción.

Remítase al manual de instrucciones de dicho dispositivo.

5 Ajuste el volumen.



-∞ dB: volumen mínimo
0 dB: volumen máximo

Comience la reproducción en el dispositivo fuente y utilice el mando VOLUME o los botones VOLUME del mando a distancia para ajustar el volumen a su nivel óptimo.

Solución de posibles fallos (1)

Si se presenta un problema con esta unidad, por favor compruebe los siguientes puntos antes de solicitar asistencia técnica. Si aún así no funciona correctamente, póngase en contacto con el establecimiento donde compró la unidad o con un servicio TEAC de atención al cliente (consulte las contraportada donde encontrará la información de contacto).

General

La unidad no se enciende.

- ➔ Compruebe que el enchufe del cable de corriente está insertado completamente en la toma de electricidad. Si la toma de electricidad a su vez tiene un interruptor, confirme que el interruptor está en la posición de encendido.
- ➔ Conecte otro aparato eléctrico a la toma de electricidad para confirmar que tiene corriente.

El sonido no sale por los altavoces.

- ➔ Ajuste el mando VOLUME. Gírelo hacia la derecha (en la dirección de las agujas del reloj) para subir el volumen (página 40).
- ➔ Utilice el mando INPUT SELECTOR para seleccionar la entrada que está conectada a la fuente que desee escuchar (página 42).
- ➔ Revise las conexiones con el resto de componentes del equipo.

El mando a distancia no funciona.

- ➔ Si las pilas están gastadas, cámbielas por otras nuevas.
- ➔ El mando a distancia no funcionará si hay algún obstáculo entre el mando y la unidad principal. Apunte con el mando hacia la unidad principal y utilícelo a una distancia máxima de 5 metros del panel frontal.

Hay un ruido o zumbido.

- ➔ Si algún cable de conexión está cerca de un cable de corriente, de un fluorescente o de otra causa similar de interferencias, aumente la distancia entre ellos todo lo que sea posible.

Solución de posibles fallos (2)

No hay sonido en un lado de los auriculares.

- ➔ Confirme que el conector de los auriculares está bien insertado en su totalidad.

Se ha parado de repente la salida de sonido.

- ➔ El calor podría haber causado que se active el circuito de protección. Ponga el interruptor POWER en OFF (apagado) una vez y espere varios minutos antes de reiniciar la unidad.

Las luces de los medidores de nivel están parpadeando y no sale ningún sonido.

- ➔ Los cables de altavoz + y – podrían haberse cortocircuitado. Apague la unidad (OFF) y compruebe las conexiones de los altavoces.

El ahorro de energía automático ha causado que la unidad entre en reposo.

- ➔ Ponga el interruptor POWER en OFF (apagado) una vez y después vuelva a encender (ON) la unidad.

Puesto que esta unidad utiliza un micro ordenador, podría no funcionar correctamente algunas veces a causa del ruido y de otras interferencias externas a la unidad. Si se da el caso, desenchufe el cable de corriente de la toma de electricidad y espere un rato antes de volver a conectarlo y encender la unidad.

Especificaciones

Amplificador

Salida máxima 120 W + 120 W
(4 Ω, 1 kHz, JEITA)
70 W + 70 W
(8 Ω, 1 kHz, JEITA)

Salida nominal 100 W + 100 W
(4 Ω, 1 kHz, JEITA)
65 W + 65 W
(8 Ω, 1 kHz, JEITA)

Rango de impedancia de altavoces compatible... 4 Ω – 8 Ω

Distorsión armónica total 0.005%
(1 kHz, 8 Ω, 1 W, JEITA)

Relación señal/ruido (corto en entrada)
LINE IN 100 dB (IHF-A)

Rango de frecuencias 10 Hz – 60 kHz (+1 dB, –5 dB)

Salida de auriculares

Terminal jack estándar estéreo de 6.3 mm

Nivel de salida máximo 50 mW + 50 mW o superior
(32 Ω, DHT+B 0.005%)

Entradas de audio analógico

Terminales ······conectores RCA × 3 pares
Nivel de entrada máximo ······3.5 Vrms
Nivel de entrada nominal ······0.3 Vrms

Terminales ······conectores XLR × 1 par
Nivel de entrada máximo ······7.7 Vrms
Nivel de entrada nominal ······1.2 Vrms

General

Alimentación

Modelo para Europa ······CA 220 – 240 V, 50 Hz
Modelo para U.S.A./Canadá ······CA 120 V, 60 Hz

Consumo de corriente

Modelos para Europa y USA/Canadá ······68 W

Dimensiones externas ······290 mm × 81.2 mm × 264 mm
(ancho × alto × profundo incluyendo salientes)

Peso ······4.0 kg

Margen de temperatura de funcionamiento

de +5°C a +35°C

Margen de humedad de funcionamiento

5% – 85% (sin condensación)

Margen de temperatura de almacenamiento

de –20°C a +55°C

Accesorios incluidos

Cable de corriente × 1
Mando a distancia (RC-1309) × 1
Pilas para el mando a distancia (AAA) × 2
Manual del usuario (este documento) × 1
Tarjeta de garantía × 1

- Las especificaciones y el diseño están sujetos a cambio sin previo aviso.
- El peso y las dimensiones son aproximados.
- Las ilustraciones que aparecen en el manual del usuario pueden diferir ligeramente de los modelos de producción.

ES

TEAC

TEAC CORPORATION	1-47 Ochiai, Tama-shi, Tokyo 206-8530 Japan Phone: +81-42-356-9156
TEAC AMERICA, INC.	7733 Telegraph Road, Montebello, California 90640 U.S.A. Phone: +1-323-726-0303
TEAC MEXICO, S.A. DE C.V.	Río Churubusco 364, Colonia Del Carmen, Delegación Coyoacán, CP 04100, México DF, México Phone: +52-55-5010-6000
TEAC AUDIO EUROPE	Liegnitzer Straße 6, 82194 Gröbenzell, Germany Phone: +49-8142-4208-141
TEAC SALES & TRADING (SHENZHEN) CO., LTD	Room 817, Block A, Hailrun Complex, 6021 Shennan Blvd., Futian District, Shenzhen 518040, China Phone: +86-755-8831-1561/2

This device has a serial number located on its rear panel. Please record the serial number and retain it for your records.

Model name: AX-501

Serial number:
