

SONY

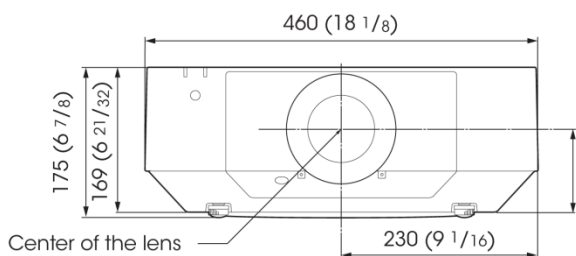
3LCD Installation Projector VPL-FH65

Key Features

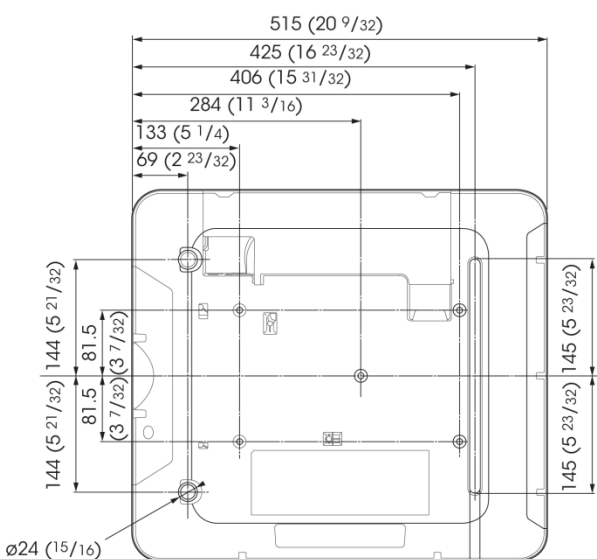
- 6,000 lumens
- Native WUXGA (1,920 x 1,200) Resolution
- Bright Era™ Long-lasting Optics
- Reality Creation
- Contrast Enhancer
- Hassle-free Automatic Filter Cleaning
- Energy-efficient Functions
- Powered Lens Shift Function
- Variety of Optional Lenses
- HDBaseT™ Compatibility
- Edge Blending
- 35dB/28dB Super Quiet Operation Noise
- Professional Calibration

Dimensions (Front)

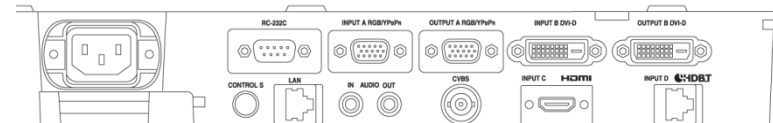
Unit: mm (inches)



Dimensions (Bottom)



Connector Panels



WUXGA/6,000lm

Optical		
Light Output / Color Light Output	6000 lumens (high mode) 4400 lumens (Std. mode)	
LCD Panels	0.76" x 3 BrightEra LCD Panel	
Panel Display Resolution	WUXGA (1920 x 1200 dots)	
Contrast Ratio	2,000:1 (Full white/full black) *1	
Light source	Ultra high-pressure mercury lamp 370 W type	
Recommended Lamp Replacement Time*2	3000H (Lamp mode: High) 4000H (Lamp mode: Standard)	
Projection Lens *3	Zoom / Focus	Approx. 1.6x Powered / Powered
	Lens Shift	Powered, Vertical : -5%, +60% Horizontal : +/- 32%
	Throw Ratio	1:39:1 to 2.23:1
Screen Size	40" to 600" (depends on the lens)	
Interface		
Computer and Video Input/Output	INPUT A	Mini D-sub 15-pin (RGB/Y Pb Pr) Audio: Stereo mini jack
	INPUT B	DVI-D (HDCP support)
	INPUT C	HDMI
	INPUT D	RJ45 (HDBaseT)
	VIDEO IN	BNC
	OUTPUT A	Mini D-sub 15-pin
Control Signal Input/Output	OUTPUT B	DVI-D (HDCP not supported)
	RS-232C	D-sub 9 pin
	LAN	RJ45, 10BASE-T/100BASE-TX
Control S IN	Stereo mini jack (DC5V)	
General		
Scanning Frequency	H: 15 to 92kHz, V: 48 to 92Hz	
Display Resolution	Computer signal input	Maximum display resolution : 1920x1200 dots
	Video signal input	NTSC, PAL, SECAM, 480/60i, 576/50i, 480/60p, 576/50p, 720/60p, 720/50p, 1080/60i, 1080/50i, 1080/60p, 1080/50p, 1080/24p The following items are available for digital signal only:
Color System	NTSC3.58, PAL, SECAM, NTSC4.43, PAL-M, PAL-N, PAL60	
UPC Code	0 2724 288638 4 (Color : W) 0 2724 288639 1 (Color : B)	
Power Requirements	AC 100V to 240V, 5.0A to 2.1A, 50Hz/60Hz	
Power Consumption	498W (AC 100V-120V) 483W (AC 220V-240V)	
Standby Mode Power Consumption	15.0W (Std) / 0.5W (Low) (AC 100V-120V) 13.3W (Std) / 0.5W (Low) (AC 220V-240V)	
Acoustic Noise (Light Mode)	35dB (High), 28dB (Standard)	
Dimensions (W x H x D)	460 x 169 x 515 mm 18 1/8 x 6 3/5 x 20 3/8"	
Mass	13kg (28lb)	
Optional Accessories		
Replacement Lamp	LMP-F370	
Projector Suspension Support	PAM-600, PSS-650 (for VPLL-3003 lens) PSS-650P (extension pole for PSS-650)	
Service Parts		
Replacement Filter	4-574-581-01	
Replacement Remote	1-492-891-11 (RM-PJ27)	

Optional Lenses

	VPLL-3003	VPLL-3007	VPLL-Z3009	VPLL-Z3024	VPLL-Z3032
TR	0.33:1	0.65:1	0.85 to 1.0	2.34 to 3.19	3.18 to 4.84
Aperture	f/1.85	f/1.75	f/1.85 to 2.10	f/2.00 to 2.30	f/2.00 to 2.40
Lens Shift	V: +/- 5% H: +/- 5%	V: +10%/-5% H: +/- 4%	V: +50%/-5% H: +/- 24%	V: +60%/-5% H: +/- 32%	V: +60%/-5% H: +/- 32%
Screen Size	80"-300"	60"-300"	60"-300"	40"-600"	40"-600"

*1 The value is average.

*2 The figures are expected maintenance time and not guaranteed. They will depend on the environment or how the projector is used.

*3 With supplied standard lens.