

CONTENTS

Introduction	4
Overview	4
Applications	5
IRIS-Net™	5
CAN-Bus coupler PWS-C	6
PWS Front Unit PWS-4/PWS-6	7
PWS-4	7
PWS-6	8
Mounting and Configuration	8
Initial Operation	10
Hardware Configuration	11
CAN-Status-LED	15
Connection	15
Find Function	17
Diagnostic Mode	17
Automatic Configuration	18
Firmware Update	18
CAN-Bus Principles	19

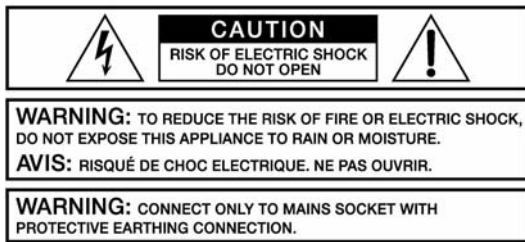
INHALT

Einführung	23
Überblick	23
Anwendungsmöglichkeiten	24
IRIS-Net™	24
CAN-Bus-Koppler PWS-C	25
PWS-Frontbedieneinheiten PWS-4/PWS-6	26
PWS-4	26
PWS-6	27
Montage und Konfiguration	27
Inbetriebnahme	29
Hardware-Konfiguration	30
CAN-Status-LED	34
Anschluss	34
Find-Funktion	36
Diagnosemodus	36
Automatische Konfiguration	37
Firmware-Update	37
CAN-Bus-Grundlagen	38

APPENDIX

Specification	41
Block Diagram	42
Dimensions	42
Declaration of Conformity	44
Setting CAN-Address via DIP-Switch ADDRESS	45

IMPORTANT SAFETY INSTRUCTIONS



The lightning flash with arrowhead symbol, within an equilateral triangle is intended to alert the user to the presence of uninsulated "dangerous voltage" within the product's enclosure that may be of sufficient magnitude to constitute a risk of electric shock to persons.



The exclamation point within an equilateral triangle is intended to alert the user to the presence of important operating and maintenance (servicing) instructions in the literature accompanying the appliance.

1. Read these instructions.
2. Keep these instructions.
3. Heed all warnings.
4. Follow all instructions.
5. Do not use this apparatus near water.
6. Clean only with a dry cloth.
7. Do not block any ventilation openings. Install in accordance with the manufacture's instructions.
8. Do not install near heat sources such as radiators, heat registers, stoves, or other apparatus (including amplifiers) that produce heat.
9. Do not defeat the safety purpose of the polarized or the grounding-type plug. A polarized plug has two blades with one wider than the other. A grounding type plug has two blades and a third grounding prong. The wide blade or the third prong are provided for your safety. If the provided plug does not fit into your outlet, consult an electrician for replacement of the obsolete outlet.
10. Protect the power cord from being walked on or pinched particularly at plugs, convenience receptacles, and the point where they exit from the apparatus.
11. Only use attachments/accessories specified by the manufacturer.
12. Use only with the cart, tripod, bracket, or table specified by the manufacturer, or sold with the apparatus. When a cart is used, use caution when moving the cart/apparatus combination to avoid injury from tip-over.



13. Unplug this apparatus during lightning storms or when unused for a long period of time.
14. Refer all servicing to qualified service personnel. Servicing is required when the apparatus has been damaged in any way, such as power-supply cord or plug is damaged, liquid has been spilled or objects have fallen into the apparatus, the apparatus has been exposed to rain or moisture, does not operate normally, or has been dropped.
15. Do not expose this equipment to dripping or splashing and ensure that no objects filled with liquids, such as vases, are placed on the equipment.
16. To completely disconnect this equipment from the AC Mains, disconnect the power supply cord plug from the AC receptacle.
17. The mains plug of the power supply cord shall remain readily operable.



Management of WEEE (waste electrical and electronic equipment) (applicable in Member States of the European Union and other European countries with individual national policies on the management of WEEE) The symbol on the product or on its packaging indicates that this product may not be treated as regular household waste, but has to be disposed through returning it at a Telex dealer.

IMPORTANT SERVICE INSTRUCTIONS

CAUTION: These servicing instructions are for use by qualified personnel only. To reduce the risk of electric shock, do not perform any servicing other than that contained in the Operating Instructions unless you are qualified to do so. Refer all servicing to qualified service personnel.

1. Security regulations as stated in the EN 60065 (VDE 0860 / IEC 65) and the CSA E65 - 94 have to be obeyed when servicing the appliance.
2. Use of a mains separator transformer is mandatory during maintenance while the appliance is opened, needs to be operated and is connected to the mains.
3. Switch off the power before retrofitting any extensions, changing the mains voltage or the output voltage.
4. The minimum distance between parts carrying mains voltage and any accessible metal piece (metal enclosure), respectively between the mains poles has to be 3 mm and needs to be minded at all times. The minimum distance between parts carrying mains voltage and any switches or breakers that are not connected to the mains (secondary parts) has to be 6 mm and needs to be minded at all times.
5. Replacing special components that are marked in the circuit diagram using the security symbol (Note) is only permissible when using original parts.
6. Altering the circuitry without prior consent or advice is not legitimate.
7. Any work security regulations that are applicable at the locations where the appliance is being serviced have to be strictly obeyed. This applies also to any regulations about the work place itself.
8. All instructions concerning the handling of MOS-circuits have to be observed.

NOTE:



SAFETY COMPONENT (MUST BE REPLACED BY ORIGINAL PART)

1 Introduction

1.1 Overview

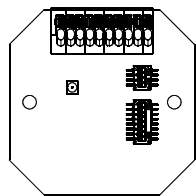
The programmable wall stations of the modular PWS system (Programmable Wall Station) allow local control and operation of various devices and systems via CAN-Bus. A programmable wall station lets you control several functions, for example: source selection, volume control, muting or powering on/off devices. In addition, using a suitable central control unit allows controlling a variety of facilities in a building (light, heating/air condition, etc.).

The minimum configuration for the operation of a programmable wall station consists of:

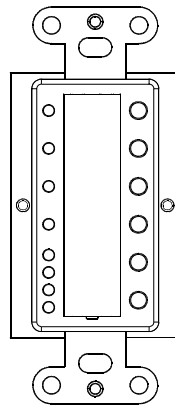
- A front unit (e.g. PWS-4)
- A CAN coupler (PWS-C)
- A software configuration created in IRIS-Net™ and transferred to the programmable wall station via CAN-Bus
- A CAN-Bus master unit to be controlled (e.g. Electro-Voice NetMax N8000)

The front units represent the part of the programmable wall station for the user to access, i.e. the user interface. Different front units with differing numbers and types of controls or indicators are available. A number of front units grouped in a single programmable wall station have to be connected in series, with up to three front units connected to a single bus coupler.

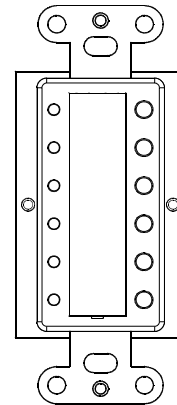
The CAN-Bus coupler PWS-C provides connection between front units and the CAN-Bus. The maximum number of units connected to a CAN-Bus (e.g. PWS-C, Remote Amplifier, etc.) depends on employed central control unit. Please consult the corresponding manuals.



CAN-Bus coupler PWS-C



Front unit PWS-4



Front unit PWS-6

1.2 Applications

PWS panels can be included in any audio installation, for example:

- Stadiums and theaters
- Cruise ships
- Multi-purpose halls
- Schools and Universities
- Government agencies
- Airports
- Theme parks
- Exhibition centers and museums
- Conference centers and hotels

1.3 IRIS-Net™

When shipped, programmable wall stations have not been configured yet. The programming of control and indication functions is done using the PC software IRIS-Net™ (Intelligent Remote & Integrated Supervision). After transferring the custom configuration to the programmable wall station, the PWS becomes functional and it is able to control the system components (N8000, remote control amplifiers, etc.) independent of a PC or IRIS-Net™. Simultaneous Control from a PWS and IRIS-Net™ is possible.

The IRIS-Net™ help files contain all the information on configuration, operation and monitoring of all programmable wall station functions. The following illustration shows an example of a PWS system in IRIS-Net™.

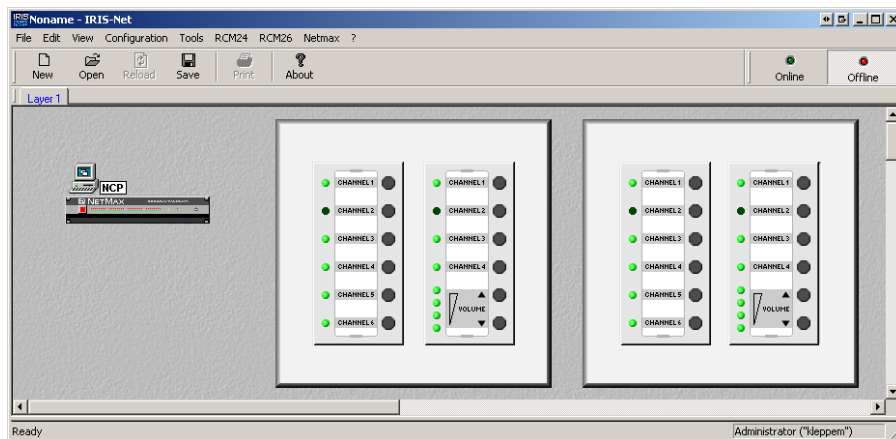
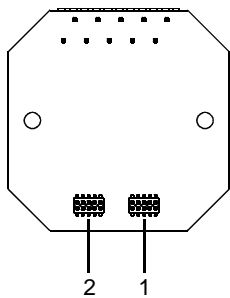


Illustration 1.1: PWS system in IRIS-Net

2 CAN-Bus coupler PWS-C

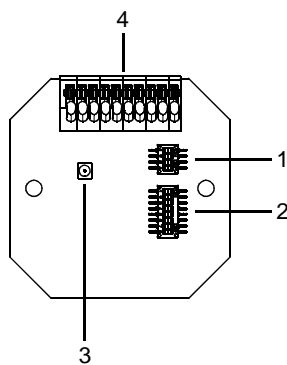
The CAN-Bus coupler PWS-C provides connection between front units (e.g. PWS-4) and the CAN-Bus. The CAN-Bus coupler registers the activation of controls on the connected front units and sends the needed information via CAN-Bus to the devices to be controlled, but also directs information received from the CAN-Bus to the control units for indication. The CAN-Bus coupler offers connectors for CAN-Bus and power supply as well as DIP switches for the CAN-Bus configuration (baud rate, bus termination and CAN-Bus address). The CAN-Bus coupler PWS-C is suitable for European and US-type flush-mount boxes.

Front view:



- 1 Connector for the front unit
- 2 Connector for future extensions

Rear view:



- 1 DIP switch TERM/BAUD for setting baud rate and termination of the CAN-Bus (see page 11)
- 2 DIP switch ADDRESS for setting the CAN-address (see page 14)
- 3 CAN Status-LED for monitoring communication on the CAN-Bus
- 4 Terminal for CAN-Bus and supply voltage (see page 15)

Default settings:

Parameter	Value
Baud rate	PROG mode (10 kbaud, changeable via IRIS-Net™)
Termination	off
CAN-Bus address	00 (CAN-Bus off, Stand-alone)

3 PWS Front Unit PWS-4/PWS-6

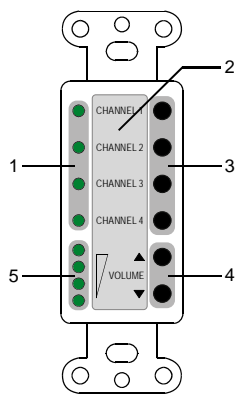
PWS-4 and PWS-6 are front units of the modular PWS system. They are meant for installation in a US-type wall box. Typical applications are: source selection, volume control and preset-switching.

All controls and indicators of the front units are freely configurable via IRIS-Net™. Individually labeling the controls and indicators according to their assign functions is possible after removing the label field cover. The front units PWS-4 or PWS-6 are being used in combination with the CAN-Bus coupler PWS-C. Up to three front units can be operated on a single PWS-C.

3.1 PWS-4

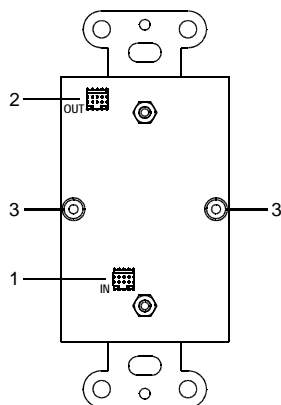
The PWS-4 has in total 6 buttons, with the upper four buttons having a separate Status-LED, each. The two lower buttons can be used as Up/Down buttons. The set parameter status is signaled via LED-chain.

Front view:



- 1 Status-LEDs for the function keys (3)
- 2 Label field
- 3 Freely configurable function keys
- 4 Up/Down buttons
- 5 LED-chain indicates a parameter's value that has been changed using the Up/Down buttons (4)

Rear view:

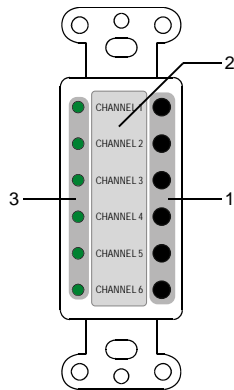


- 1 Connector for the PWS-C or input socket (IN) for connecting the PWS-4 to the previous front unit in the chain
- 2 Output socket (OUT) for connecting the PWS-4 to the next front unit in the chain
- 3 Mechanical lock for the PWS-C plus cover

3.2 PWS-6

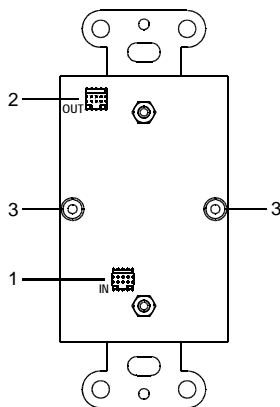
The PWS-6 has 6 buttons with Status-LEDs.

Front view:



- 1 Freely configurable function keys
- 2 Label field
- 3 Status-LEDs for the function keys (1)

Rear view:



- 1 Connector for the PWS-C or input socket (IN) for connecting the PWS-6 to the previous front unit in the chain
- 2 Output socket (OUT) for connecting the PWS-6 to the next front unit in the chain
- 3 Mechanical lock for the PWS-C plus cover

3.3 Mounting and Configuration

The front units PWS-4 or PWS-6 are connected with two screws to the CAN-Bus coupler PWS-C (see page 11). All front units of a programmable wall station have to be connected in series. Front units are daisy chained by connecting the output socket (OUT) of a front unit to the input socket (IN) of the next unit in the chain.

NOTE:

Connecting sockets of the same type (IN to IN or OUT to OUT) is not permissible.

Only the supplied connection cables should be used for proper operation. The following illustration shows the connection of two front units of a programmable wall station.

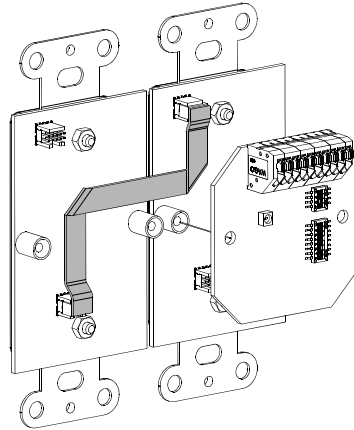
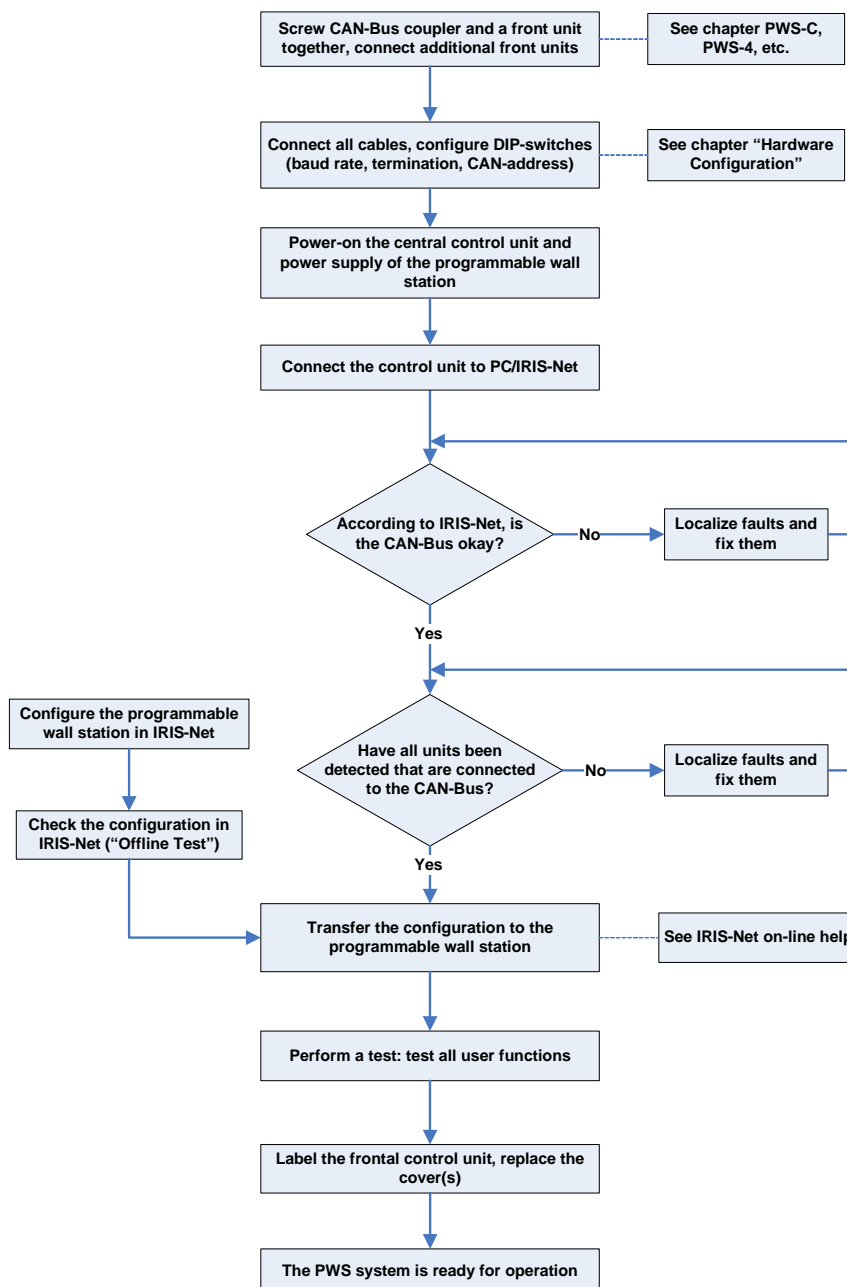


Abbildung 3.1: Connecting two front units of a programmable wall station

Other than connections, no physical configuration of the front units is required, as the assignment of functions and other configurations are performed in IRIS-Net™. Adjacent front units have to be installed and connected in the following order: from left to right and from top to bottom.

4 Initial Operation

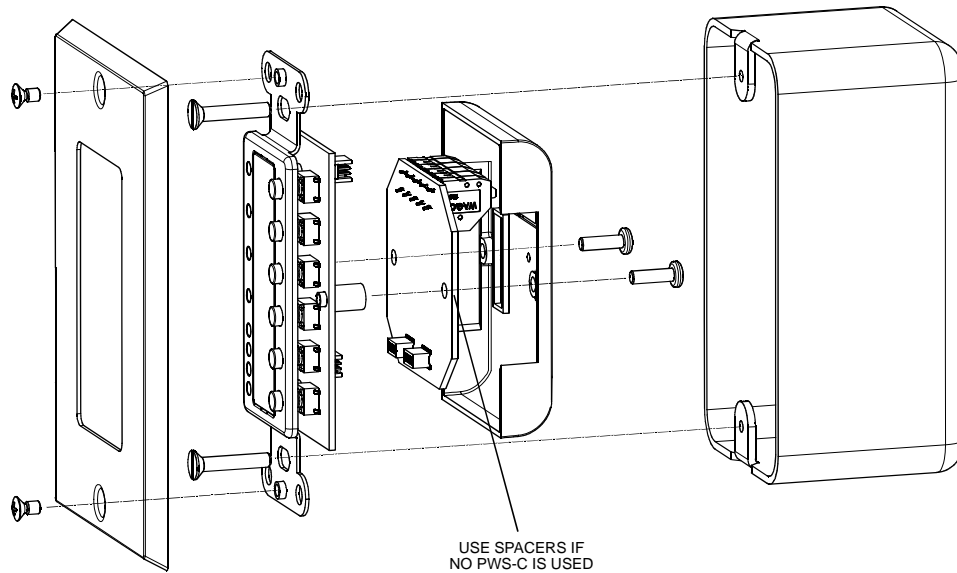
When shipped, PWS panels have not been configured yet. The following illustration provides an overview of the entire procedure of installing and configuring a PWS for the first time. Please also refer to the descriptions of other connected devices in the corresponding chapters as well as the IRIS-Net™ on-line help feature.



NOTE:
The system automatically recognizes and configures spare units (see page 18)

Mounting a Programmable wall station in a US Single Gang Wall Box

For mounting a programmable wall station you have to lock the PWS-C and a front unit of a programmable wall station together using two screws. Using the supplied connection cables, connect additional front units. Please also refer to this manual's corresponding chapters describing the connection procedure for the front units being used.



4.1 Hardware Configuration

The DIP-switches of the PWS-C allow setting the baud rate (page 11), termination (page 13), and CAN-address (page 14). An overview of default DIP-switch settings is provided on page 6.

Baud Rate

CAUTION:

All devices on the CAN-Bus have to be set to the same baud rate.

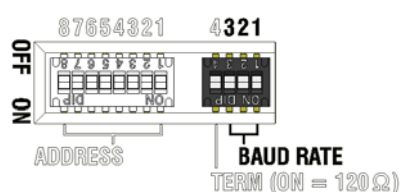
Determination of a suitable baud rate

The maximum allowable baud rate of the CAN-Bus is indirect proportion to the bus length. For smaller networks, baud rates of up to 500 kbit/s are possible. Large networks require a lower baud rate (down to the minimum baud rate of 10 kbit/s). The following table illustrates the relationship between baud rate and bus length, i.e. network dimensions. Generally, bus lengths over 1000 meters should always employ CAN-repeaters.

Baud rate (in kbit/s)	Bus-length (in m)
500	100
250	250
125	500
62,5	1000
20	2500
10	5000

Table 4.1: Baud rate and Bus-length in CAN-networks

Setting the Baud Rate



Setting the bus coupler's baud rate is possible by using switches 1, 2 and 3 of the TERM/BAUD DIP-switches. Potential baud rates and corresponding switch settings are shown in the following table. Only when set to PROG Mode, it is possible to change the programmable wall station's baud rate via IRIS-Net™. With all other switch settings, the previously selected value for the baud rate is maintained.

A dark shaded field in the table marks the default value when shipped. In PROG mode, the default data rate is 10 kbit/s.

DIP switch TERM/BAUD			Baud rate (in kbit/s)
Switch 3	Switch 2	Switch 1	
OFF	OFF	OFF	10
OFF	OFF	ON	20
OFF	ON	OFF	62.5
OFF	ON	ON	125
ON	OFF	OFF	250
ON	OFF	ON	500
ON	ON	OFF	not available
ON	ON	ON	PROG mode

Table 4.2: Setting the baud rate

NOTE:

Changing a previously set fixed baud rate is not possible via IRIS-Net™. The PWS must be in PROG mode to allow the changing of the baud rate via IRIS-Net™.

Setting a default baud rate in PROG mode

As shown in the above table, setting a fixed baud rate is possible when connecting a PWS-C to an already existing CAN-Bus. When connecting a PWS-C in PROG mode, setting the baud rate directly on the PWS-C is possible by following these instructions:

1. Activate the power supply of the PWS-C
2. Set the desired baud rate using the DIP-switch TERM/BAUD (see page 12)
3. Wait until the new baud rate is adopted, which is signaled by a dimmed CAN-Status-LED.

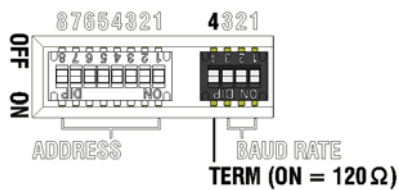
NOTE:

The CAN-Status-LED light for 3 seconds whenever changes are applied to the DIP-switches with the power supply being activated. The new setting is adopted only when the CAN-Status-LED is dimmed.

4. PROG mode settings with DIP-switch TERM/BAUD (see page 12)

The PWS-C can now be taken into operation with the baud rate set under step 2.

Termination



Both ends of a CAN-Bus have to be terminated using a 120 Ω terminator. Missing or erroneous termination can result in malfunction. Contact 4 of DIP-switch 1 allows activating the PWS-C's integrated terminator (see the following table).

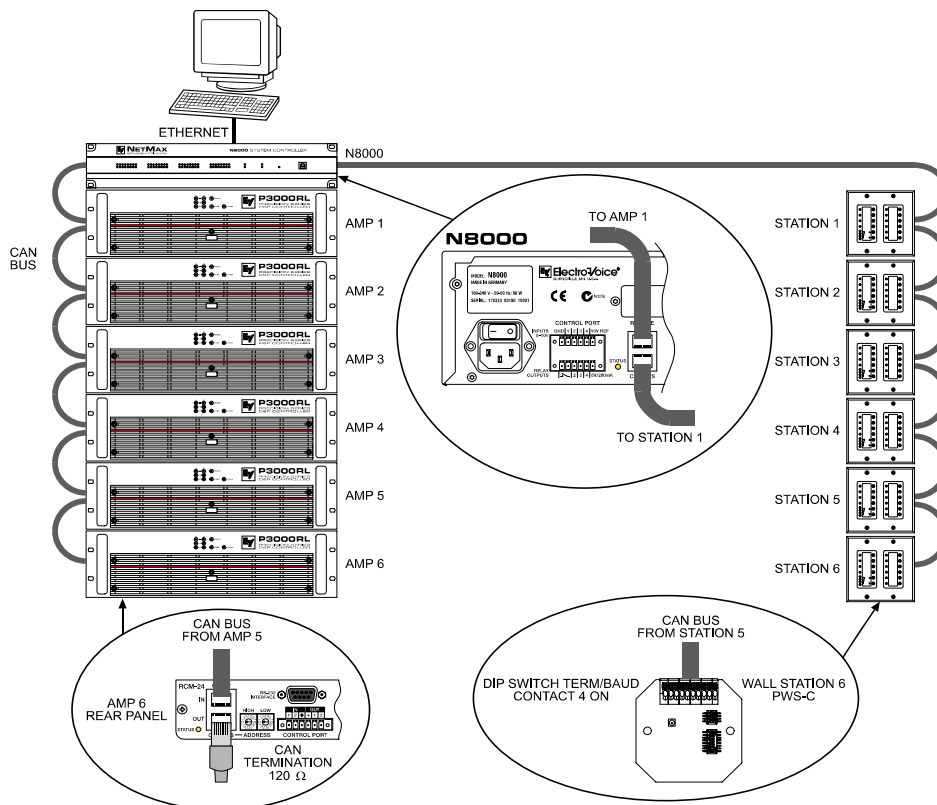
A dark shaded field in the table marks the default setting when shipped.

DIP switch 1, Contact 4	Termination
OFF	open
ON	closed (120 Ω)

Table 4.3: CAN-Bus Termination

The following illustration provides an example of a NetMax-Systems, with Remote Power Amps and programmable wall station being connected via CAN-Bus. Both ends of the CAN-Bus are terminated using terminators.

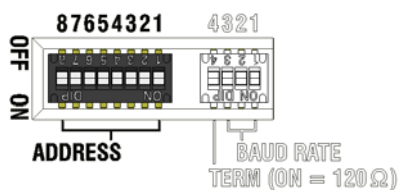
PROGRAMMABLE WALL STATION



CAN address

CAUTION:

To prevent network faults, each CAN address may exist once only throughout a system. Conflicts on the network would be the result.



Every programmable wall station has to have a unique CAN address to be identified on the CAN-Bus. The usable address range is: 1 (01 hex) up to 250 (FA hex). The PWS-C's ADDRESS DIP switch (see page 6) allows specifying the CAN address by setting a two-digit hexadecimal number. A table of possible CAN addresses and corresponding DIP-switch settings is provided on page 45.

The default CAN address when shipped is 0 (00 hex).

NOTES:

Various programmable wall stations of a system can be easily configured when their CAN addresses are in consecutive order.

A programmable wall station is disconnected from the CAN-Bus when its CAN address has been set to 0.

If the setting of the DIP-switch is changed, the CAN status LED lights up for 3 seconds. The new setting becomes effective when the CAN status LED is dimmed.

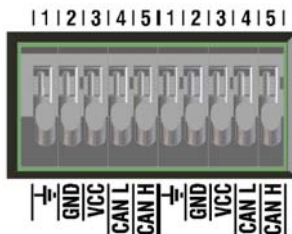
4.2 CAN-Status-LED

The entries in following table are arranged after falling priority, i.e. if two conditions arise at the same time, only the upper condition in the table is indicated.

CAN-Status-LED	Description
Off	No power supply
Continuously lit	Firmware Update / Configuration in progress
Continuously lit for 3 seconds	Changes applied to the DIP-switch setting are adopted
Blinks fast (50 ms ON, 50 ms OFF)	Find function active
Activation for 100 ms	Sending data
Blinks every second twice for 100 ms	Error state (Hardware fault, wrong configuration, no connection to a CAN unit, missing/wrong panel)
Blinks rhythmically every 3 seconds for 100 ms	The PWS-C is separated from the CAN-Bus via software (CAN address 00)
Blinks rhythmically every second for 100 ms	Normal operation, no data transfer

Table 4.4: CAN-Status-LED - modes of indication

4.3 Connection



The PWS-C has a 10-pole terminal clip for the connection of CAN-Bus signal transmission and power supply. Using cable with diameters between 0.5 mm and 0.8 mm (20 -24 AWG) is possible. For further information, please refer to the chapter "cable specifications" on page 20.

Connection	Description
	Cable shield
GND	Operating voltage (-) / CAN_GND
VCC	Operating voltage (+)
CAN L	CAN_L
CAN H	CAN_H

NOTE:

Power supply ground and CAN-Bus ground are not galvanically separated. The potential difference on the GND-line may not exceed 5 volts.

Connecting the CAN-Bus

Comprehensive guidelines regarding cabling and bus length are provided in chapter “CAN-Bus Principles” starting on page 19.

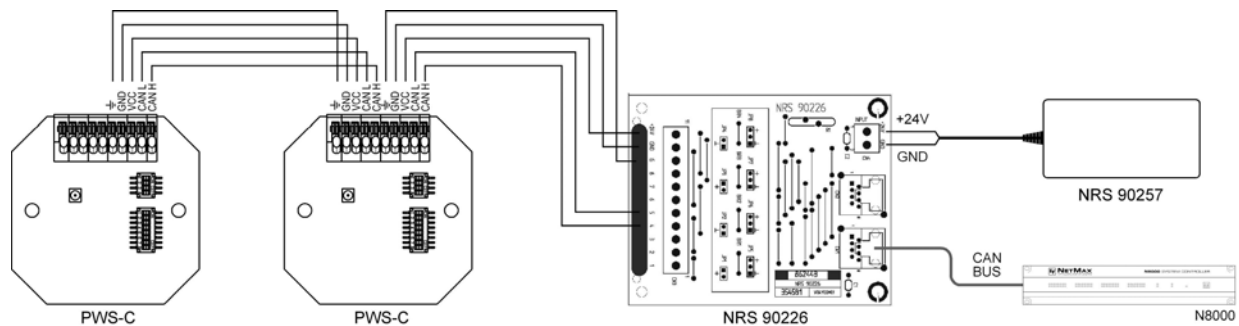
Supply Voltage

Programmable wall stations need to be operated on a power source that delivers a direct-current voltage between 9 volts and 58 volts. A central power supply unit or local power sources can be used if various wall panels are operated on a single CAN-Bus. When using a central power supply unit, the supply voltage is carried along with CAN-Bus signal transmission. The employed power supply unit’s capacity has to match the maximum power requirements of the wall panels.

Power Rating Evaluation Example:

The total power rating for a wall station that consists of 1 PWS-C, 1 PWS-4 and 2 PWS-6 can be evaluated by simply summing up the power consumption of all panels (see individual specifications), i.e.: $1 * 480 \text{ mW} + 1 * 175 \text{ mW} + 2 * 150 \text{ mW} = 955 \text{ mW}$

The following illustration shows the connection between an Electro-Voice NetMax N8000 System Controller and a wall panel using a Dynacord NRS 90257 (PART NO. D121789) 24 volts power supply unit and a RJ45 adapter board NRS 90226 (PART NO. D121678).



PWS-C	NRS 90226
	G
GND	GND
VCC	+24V
CAN L	5
CAN H	4

4.4 Find Function

The Find Function simplifies identifying a programmable wall station when a variety of (identical) wall stations are operated on the same CAN-Bus. When the Find Function is active, the CAN-STATUS-LED on the PWS-C's rear blinks (and, if existing, the LEDs of the front unit selected in IRIS-Net™) as shown in the table on page 15. The LEDs of all other wall stations for which the Find Function has not been activated do not light. Notes on how to use the Find Function can be found in the IRIS-Net™ documentation.

4.5 Diagnostic Mode

The diagnostic mode allows the convenient querying the hardware configuration of a PWS wall panel, including CAN-Bus address, baud rate, etc., without dismantling the wall panel. In diagnostic mode the front unit that is directly connected to the CAN-Bus coupler is being queried.

Button (numbered from top to bottom)	Indicated Parameter	Annotation
1	CAN-Status-LED and DIP-switch fault indication	The information indicated by the upper LED is identical to the information signaled by the CAN-Status-LED on the PWS-C (see page 15). The second LED from the top lights when the PWS-C's DIP-switches have been invalidly set.
2	CAN-address (low-order digit)	Switch setting 1-4 (LOW) of the DIP-switch ADDRESS (see page 14) from top to bottom
3	CAN-address (high-order digit)	Switch setting 5-8 (HIGH) of the DIP-switch ADDRESS (see page 14) from top to bottom
4	Baud rate	Setting of contacts 1-3 of the DIP-switch TERM/BAUD (see page 11), setting of contact 4 (Termination) is not indicated

Table 4.5: Parameters of the bus coupler that can be queried in diagnostic mode

Manually accessing diagnostic mode is possible under following conditions:

- Either the CAN-Bus is out of operation (e.g. when CAN-address 0 has been set)
- or activation for the wall panel's diagnostic mode has been unlocked in IRIS-Net™ (refer to the online help in IRIS-Net™).

If one of these conditions is true, please proceed as follows to access diagnostic mode:

- 1. Press any button on the programmable wall station and hold it down for at least 5 seconds.**
Three times flashing all of the LEDs on the front panel of the PWS indicates that diagnostic mode has been activated. Following that, the 4 upper LEDs light, as explained in line "1" of table 4.5
- 2. The 4 upper buttons of this front unit can be used to query the desired parameters.**
Parameters that can be queried in diagnostic mode are listed in table 4.5.

Diagnostic mode is automatically cancelled under following conditions:

- Either no button on the front unit has been pressed for at least 15 seconds
- or the CAN-Bus is operational again
- or unlocking the diagnostic mode has been deactivated in IRIS-Net™.

4.6 Automatic Configuration

If a PWS-C of an existing PWS system needs to be replaced,

- the new device's firmware version has to be the same or newer than the one of the previously installed unit and
- the settings of the DIP-switches ADDRESS and TERM/BAUD of the old and the new model have to be identical.

NOTE:

If the to be replaced unit had been used in PROG-Mode with a baud rate unequal 10 kbit/s, the factory default baud rate of the new device needs to be set (see page 13).

If these two conditions are true, the wall station will automatically be configured and put into operation by the CAN-Bus master.

4.7 Firmware Update

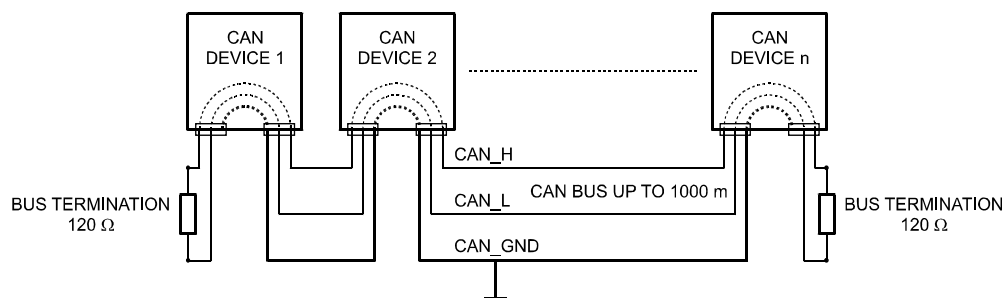
Updating the firmware of a wall panel is done in IRIS-Net™. The current firmware version is included in the IRIS-Net™ package. If an error occurs during the firmware update procedure (e.g. missing supply voltage), you can simply start the entire process from the beginning. For detailed information about the update procedure, please refer to the online help in IRIS-Net™.

5 CAN-Bus Principles

The network topology used by the CAN bus is based on the so-called “bus or line topology”, i.e. all participants are connected via a single two-wire cable (Twisted-Pair cable, shielded or unshielded) with the cabling running from one participant on the bus to the next, allowing unlimited communication among all devices. In general, it does not matter if the bus member is a power amplifier, a N8000 or a UCC1 USB-CAN converter. Thus, the N8000 can be connected at any place of the CAN bus. In total, up to 100 devices can be connected to one CAN bus.

The CAN bus has to be terminated with a $120\ \Omega$ terminating resistor at both ends. If the termination is missing or an improper resistor value is used, network errors can occur as a signal is reflected on the bus at both bus ends. Because of the superposition of the reflection with the original signal, the original signal is blurred. This may result in the loss of data. In order to prevent or minimize reflections at the bus ends, terminators are used as they “absorb” the energy of the signal.

Since the CAN interfaces of all EVI Audio appliances are galvanically separated from the rest of the circuitry, network cabling also carries a common ground conductor (CAN_GND) ensuring that all CAN-interfaces in the network are connected to a common ground potential.



Bus Topology of the CAN bus

By using a CAN bus repeater a connection between two independent and self-contained CAN bus systems can be created. Thus, the following can be achieved:

- Increase of the max. number of members
A maximum of 100 devices can be connected to one CAN bus. This number can be increased up to 250 by connecting several CAN bus systems. This limitation of exactly 250 devices results from the addressing scheme used by the CAN bus. The addressing scheme allows the allocation of a maximum of 250 different CAN device addresses.
- Improvement of signal quality
With CAN bus systems, whose bus length exceeds 1000 meters, a CAN bus repeater should be used. The CAN bus repeater accomplishes a signal processing and a reinforcement of the bus signals. The internal running time of the repeaters of approx. 150 ns corresponds to an extension of the bus over approx. 45 meters.
- Creation of alternative network topologies
By using one or several repeaters, not only the above-mentioned bus topology, but the creation of other network topologies are also possible.

CAN-Bus Cabling Specifications

According to the ISO 11898-2 standard, CAN-bus data transfer cabling has to be carried out using Twisted-Pair cables with or without shielding providing a characteristic impedance of 120 Ω . Both ends of a CAN-bus need to be terminated with 120 Ω termination-plugs. The maximum bus-length depends on the actual data transfer rate, the kind of data transfer cable being used, as well as the total number of participants on the bus. The following table shows the most essential requirements for CAN-networks consisting of up to 64 participants.

Bus Length (in m)	Data Transmission Cable		Termination (in Ω)	Max. Data Transfer Rate
	Resistance per Unit Length (in m Ω /m)	Cable Diameter		
0...40	< 70	0,25...0,34 mm ² AWG23, AWG22	124	1000 kbit/s at 40 m
40...300	< 60	0,34...0,6 mm ² AWG22, AWG20	127	500 kbit/s at 100 m
300 ... 600	< 40	0,5...0,6 mm ² AWG 20	150...300*	100 kbit/s at 500 m
600...1000	< 26	0,75...0,8 mm ² AWG 18	150...300*	62,5 kbit/s at 1000 m

* With longer cables and many participants on the CAN-bus, termination resistors with higher impedance than the specified 120 Ω are recommended to reduce the ohmic load of the interface drivers and therefore the voltage drop between the two cable-ends.

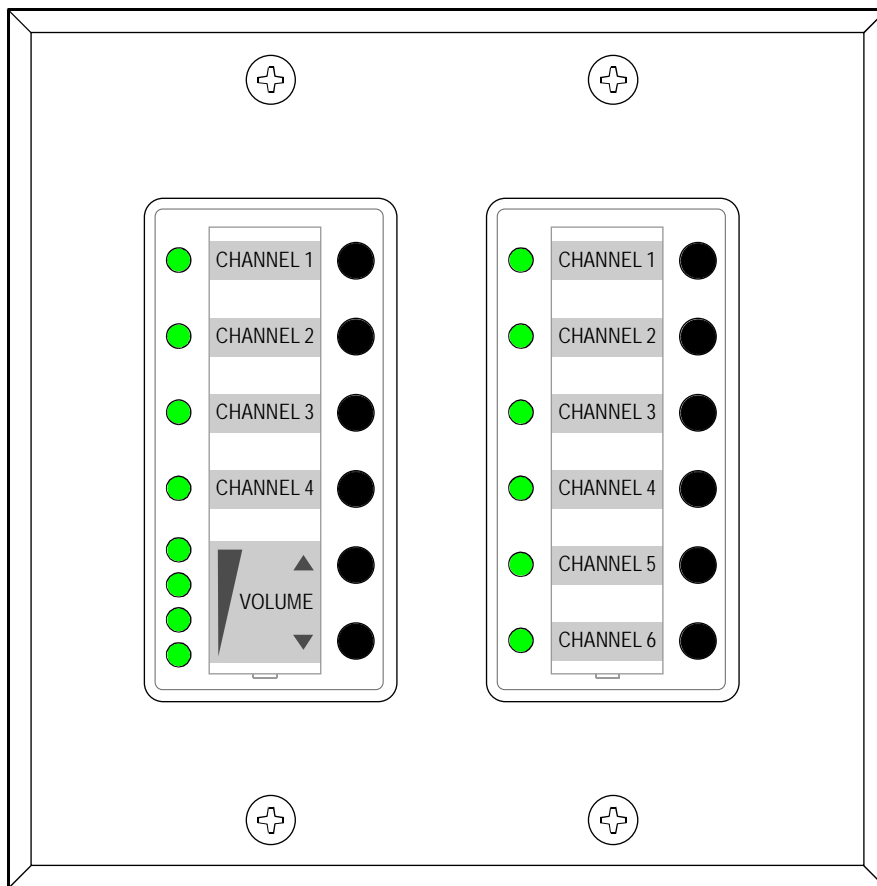
The following table is meant for first assessment of necessary cable diameters for different bus lengths and bus-participant numbers.

Bus Length (in m)	Number of Units on the CAN-Bus		
	32	64	100
100	0,25 mm ² / AWG24	0,34 mm ² / AWG22	0,34 mm ² / AWG22
250	0,34 mm ² / AWG22	0,5 mm ² / AWG20	0,5 mm ² / AWG20
500	0,75 mm ² / AWG18	0,75 mm ² / AWG18	1,0 mm ² / AWG17



Additionally, the length of branch lines - for participants that are not directly connected to the CAN-bus - is also of importance. For data transfer rates of up to 125 kbit/s, the maximum length of a single stub cable should not exceed 2 meters. For higher bit rates a maximum length of only 0.3 meter is still permissible. The entire length of all branch lines should not exceed 30 meters.

General Note:

- As long as only short distances (up to 10 meters) are concerned, common RJ-45 patch cables with a characteristic impedance of 100 Ω (AWG 24 / AWG 26) can be used for the cabling inside of a rack mounted system.
- The previously outlined guidelines for network cabling are mandatory as far as the rack mounted shelf interconnection or fixed installations are involved.



WICHTIGE SICHERHEITSHINWEISE

	CAUTION RISK OF ELECTRIC SHOCK DO NOT OPEN	
WARNING: TO REDUCE THE RISK OF FIRE OR ELECTRIC SHOCK, DO NOT EXPOSE THIS APPLIANCE TO RAIN OR MOISTURE.		
AVIS: RISQUÉ DE CHOC ELECTRIQUE, NE PAS OUVRIR.		
WARNING: CONNECT ONLY TO MAINS SOCKET WITH PROTECTIVE EARTHING CONNECTION.		



Das Blitzsymbol innerhalb eines gleichseitigen Dreiecks soll den Anwender auf nicht isolierte Leitungen und Kontakte im Geräteinneren hinweisen, an denen hohe Spannungen anliegen, die im Fall einer Berührung zu lebensgefährlichen Stromschlägen führen können.



Das Ausrufezeichen innerhalb eines gleichseitigen Dreiecks soll den Anwender auf wichtige Bedienungs- sowie Servicehinweise in der zum Gerät gehörenden Literatur aufmerksam machen.

1. Lesen Sie diese Hinweise.
2. Heben Sie diese Hinweise auf.
3. Beachten Sie alle Warnungen.
4. Richten Sie sich nach den Anweisungen.
5. Betreiben Sie das Gerät nicht in unmittelbarer Nähe von Wasser.
6. Verwenden Sie zum Reinigen des Gerätes ausschließlich ein trockenes Tuch.
7. Verdecken Sie keine Lüftungsschlitze. Beachten Sie bei der Installation des Gerätes stets die entsprechenden Hinweise des Herstellers.
8. Vermeiden Sie die Installation des Gerätes in der Nähe von Heizkörpern, Wärmespeichern, Öfen oder anderer Wärmequellen.
9. Achtung: Gerät nur an Netzsteckdose mit Schutzleiteranschluss betreiben. Setzen Sie die Funktion des Schutzleiteranschlusses des mitgelieferten Netzanschlusskabels nicht außer Kraft. Sollte der Stecker des mitgelieferten Kabels nicht in Ihre Netzsteckdose passen, setzen Sie sich mit Ihrem Elektriker in Verbindung.
10. Sorgen Sie dafür, dass das Netzkabel nicht betreten wird. Schützen Sie das Netzkabel vor Quetschungen insbesondere am Gerätestecker und am Netzstecker.
11. Verwenden Sie mit dem Gerät ausschließlich Zubehör/Erweiterungen, die vom Hersteller hierzu vorgesehen sind.
12. Ziehen Sie bei Blitzschlaggefahr oder bei längerem Nichtgebrauch den Netzstecker.
13. Überlassen Sie sämtliche Servicearbeiten und Reparaturen einem ausgebildeten Kundendiensttechniker. Servicearbeiten sind notwendig, sobald das Gerät auf irgendeine Weise beschädigt wurde, wie z.B. eine Beschädigung des Netzkabels oder des Netzsteckers, wenn eine Flüssigkeit in das Gerät geschüttet wurde oder ein Gegenstand in das Gerät gefallen ist, wenn das Gerät Regen oder Feuchtigkeit ausgesetzt wurde, oder wenn es nicht normal arbeitet oder fallengelassen wurde.
14. Stellen Sie bitte sicher, dass kein Tropf- oder Spritzwasser ins Geräteinnere eindringen kann. Platzieren Sie keine mit Flüssigkeiten gefüllten Objekte, wie Vasen oder Trinkgefäße, auf dem Gerät.
15. Um das Gerät komplett spannungsfrei zu schalten, muss der Netzstecker gezogen werden.
16. Beim Einbau des Gerätes ist zu beachten, dass der Netzstecker leicht zugänglich bleibt.
17. Stellen Sie keine offenen Brandquellen, wie z.B. brennende Kerzen auf das Gerät.
18. Dieses SCHUTZKLASSE I Gerät muss an eine NETZ-Steckdose mit Schutzleiter-Anschluss angeschlossen werden.



Entsorgung von gebrauchten elektrischen und elektronischen Geräten (Anzuwenden in den Ländern der Europäischen Union und anderen europäischen Ländern mit einem separaten Sammelsystem für diese Geräte). Das Symbol auf dem Produkt oder seiner Verpackung weist darauf hin, dass dieses Produkt nicht als normaler Haushaltsabfall zu behandeln ist, sondern bei einem Telex Händler abgegeben werden muss.

WICHTIGE SERVICEHINWEISE

ACHTUNG: Diese Servicehinweise sind ausschließlich zur Verwendung durch qualifiziertes Servicepersonal. Um die Gefahr eines elektrischen Schlages zu vermeiden, führen Sie keine Wartungsarbeiten durch, die nicht in der Bedienungsanleitung beschrieben sind, außer Sie sind hierfür qualifiziert. Überlassen Sie sämtliche Servicearbeiten und Reparaturen einem ausgebildeten Kundendiensttechniker.

1. Bei Reparaturarbeiten im Gerät sind die Sicherheitsbestimmungen nach EN 60065 (VDE 0860) einzuhalten.
2. Bei allen Arbeiten, bei denen das geöffnete Gerät mit Netzspannung verbunden ist und betrieben wird, ist ein Netz-Trenntransformator zu verwenden.
3. Vor einem Umbau mit Nachrüstsätzen, Umschaltung der Netzspannung oder sonstigen Modifikationen ist das Gerät stromlos zu schalten.
4. Die Mindestabstände zwischen netzspannungsführenden Teilen und berührbaren Metallteilen (Metallgehäuse) bzw. zwischen den Netzpole betragen 3 mm und sind unbedingt einzuhalten.
5. Die Mindestabstände zwischen netzspannungsführenden Teilen und Schaltungsteilen, die nicht mit dem Netz verbunden sind (sekundär), betragen 6 mm und sind unbedingt einzuhalten.
6. Spezielle Bauteile, die im Stromlaufplan mit dem Sicherheitssymbol gekennzeichnet sind, (Note) dürfen nur durch Originalteile ersetzt werden.
7. Eigenmächtige Schaltungsänderungen dürfen nicht vorgenommen werden.
8. Die am Reparaturort gültigen Schutzbestimmungen der Berufsgenossenschaften sind einzuhalten. Hierzu gehört auch die Beschaffenheit des Arbeitsplatzes.
9. Die Vorschriften im Umgang mit MOS-Bauteilen sind zu beachten.

NOTE:



SAFETY COMPONENT (MUST BE REPLACED BY ORIGINAL PART)

1 Einführung

1.1 Überblick

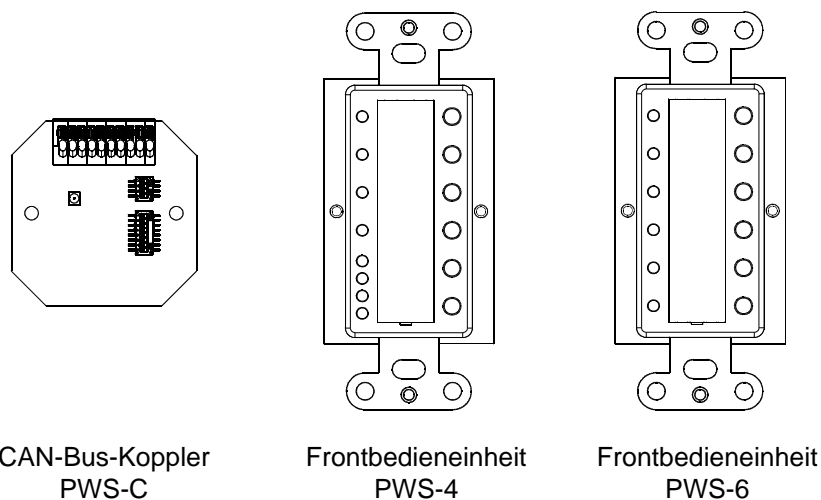
Die Wand-Bedienpanels des modularen PWS-Systems (Programmable Wall Station) ermöglichen die lokale Bedienung und Steuerung verschiedener Geräte und Systeme über den CAN-Bus. Über ein Wand-Bedienpanel können verschiedenste Funktionen, zum Beispiel Quellenwahl, Lautstärkeregelung, Stummschaltung oder Ein-/Ausschalten von Geräten ausgeführt werden. Bei Verwendung einer geeigneten zentralen Steuereinheit ist zudem die Steuerung von Gebäudefunktionen (Beleuchtung, Heizung/Lüftung usw.) möglich.

Die Minimalkonfiguration für den Betrieb eines Wand-Bedienpanel besteht aus:

- Einer Frontbedieneinheit (z. B. PWS-4)
- Einem CAN-Bus-Koppler (PWS-C)
- Einer in IRIS-Net™ erstellten und per CAN-Bus zum Wand-Bedienpanel übertragenen Software-Konfiguration
- Einem zu steuernden CAN-Bus-Master (z.B. Electro-Voice NetMax N8000)

Die Frontbedieneinheiten stellen den für den Benutzer sichtbaren Teil des Wand-Bedienpanels, also die Benutzeroberfläche, dar. Es stehen verschiedene Frontbedieneinheiten zur Verfügung, die sich in Anzahl und Art der Bedien- bzw. Anzeigeelemente unterscheiden. Bei Verwendung mehrerer Frontbedieneinheiten in einem Wand-Bedienpanel werden diese in Reihe geschaltet, wobei bis zu drei Bedieneinheiten an einen Bus-Koppler angeschlossen werden können.

Der CAN-Bus-Koppler PWS-C stellt die Verbindung zwischen den Frontbedieneinheiten und dem CAN-Bus her. Die maximal verwendbare Anzahl von Geräten an einem CAN-Bus (z.B. PWS-C, Remote Amplifier usw.) hängt von der verwendeten zentralen Steuereinheit ab. Bitte beachten Sie die zugehörigen Geräteunterlagen.



CAN-Bus-Koppler
PWS-C

Frontbedieneinheit
PWS-4

Frontbedieneinheit
PWS-6

1.2 Anwendungsmöglichkeiten

Anwendungsmöglichkeiten für PWS-Wand-Bedienpanels sind alle Arten von Audio-Installationen, z.B.

- Stadien und Theater
- Kreuzfahrtschiffe
- Mehrzweckhallen
- Schulen und Universitäten
- Behörden
- Flughäfen
- Freizeitparks
- Ausstellungsräume und Museen
- Konferenzzentren und Hotels

1.3 IRIS-Net™

Ab Werk werden Wand-Bedienpanels ohne Konfiguration ausgeliefert, für die Zuweisung der Bedien- bzw. Anzeigefunktionen wird die PC-Software IRIS-Net™ (Intelligent Remote & Integrated Supervision) verwendet. Hierbei kann die gesamte Konfiguration des Wand-Bedienpanels offline in IRIS-Net™ erstellt werden. Nach der Übertragung der gewünschten Einstellungen zum Wand-Bedienpanel ist diese funktionsfähig und das zu steuernde System kann ohne PC bzw. IRIS-Net™ bedient werden.

In den Hilfe-Dateien von IRIS-Net™ finden Sie sämtliche Hinweise für die Konfiguration, Bedienung und Überwachung aller Wand-Bedienpanel-Funktionen. Folgende Abbildung zeigt ein Beispiel eines PWS-Systems in IRIS-Net™.

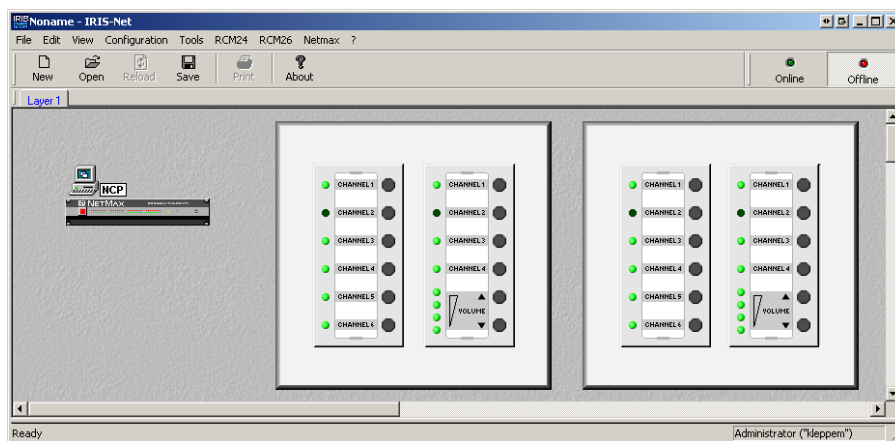
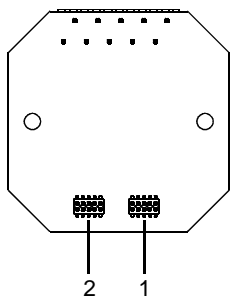


Abbildung 1.1: PWS-System in IRIS-Net

2 CAN-Bus-Koppler PWS-C

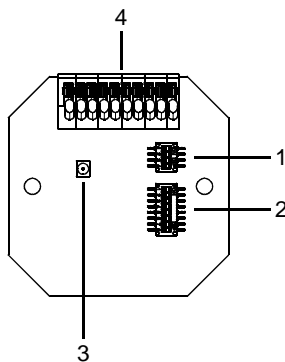
Der CAN-Bus-Koppler PWS-C stellt die Verbindung zwischen den Frontbedieneinheiten (z. B. PWS-4) und dem CAN-Bus her. Hierbei erfasst der CAN-Bus-Koppler einerseits die Betätigung von Schaltelementen auf den angeschlossenen Bedieneinheiten und sendet Informationen über den CAN-Bus an zu steuernde Geräte. Andererseits werden vom CAN-Bus empfangene Informationen auf den Bedieneinheiten angezeigt. Der CAN-Bus-Koppler enthält Anschlüsse für den CAN-Bus und die Spannungsversorgung sowie DIP-Schalter zur Parametrisierung des CAN-Bus-Anschlusses (Baudrate, Bus-Terminierung und CAN-Bus-Adresse). Der CAN-Bus-Koppler PWS-C ist sowohl für Unterputzdosen nach europäischer als auch nach US-Norm geeignet.

Frontseite:



- 1 Anschluss für Frontbedieneinheit
- 2 Anschluss für zukünftige Erweiterungen

Rückseite:



- 1 DIP-Schalter TERM/BAUD zur Einstellung der Baudrate und Terminierung des CAN-Bus (siehe Seite 30)
- 2 DIP-Schalter ADDRESS zur Einstellung der CAN-Adresse (siehe Seite 33)
- 3 CAN-Status-LED zur Kontrolle der Kommunikation auf dem CAN-Bus.
- 4 Anschlussklemme für CAN-Bus und Versorgungsspannung (siehe Seite 34)

Voreinstellungen:

Parameter	Wert
Baudrate	PROG-Modus (10 kbaud, über IRIS-Net™ änderbar)
Terminierung	aus
CAN-Bus-Adresse	00 (CAN-Bus off, Stand-alone)

3 PWS-Frontbedieneinheiten PWS-4/PWS-6

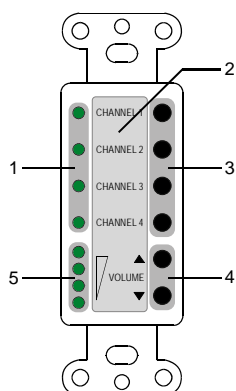
PWS-4 und PWS-6 sind Frontbedieneinheiten des modularen PWS-Systems. Sie sind für den Einbau in eine US Wallbox vorgesehen. Typische Anwendungsmöglichkeiten sind Quellenauswahl, Lautstärkeregelung und Preset-Umschaltung.

Alle Bedien- und Anzeigeelemente der Frontbedieneinheiten sind über IRIS-Net™ frei konfigurierbar. Die Beschriftung ist nach Entfernen der Beschriftungsfeld-Abdeckung zugänglich und kann entsprechend den zugewiesenen Funktionen angepasst werden. Die Frontbedieneinheiten PWS-4 bzw. PWS-6 werden in Kombination mit dem CAN-Bus-Koppler PWS-C verwendet. Maximal ist der gleichzeitige Betrieb von drei Frontbedieneinheiten an einem PWS-C möglich.

3.1 PWS-4

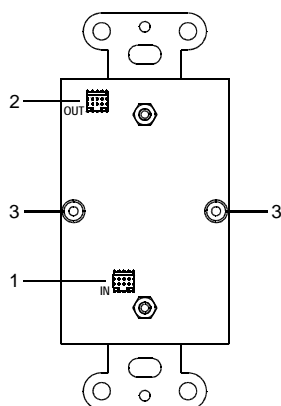
Das PWS-4 besitzt insgesamt 6 Tasten, die oberen vier Tasten besitzen jeweils eine Status-LED. Die beiden unteren Tasten können als Up/Down-Buttons verwendet werden, wobei für den eingestellten Parameter-Zustand eine LED-Kette zur Verfügung steht.

Frontseite:



- 1 Status-LEDs für Funktionstasten (3)
- 2 Beschriftungsfeld
- 3 Frei konfigurierbare Funktionstasten
- 4 Up/Down-Tasten
- 5 LED-Kette zur Anzeige eines über die Up/Down-Tasten (4) änderbaren Werts

Rückseite:

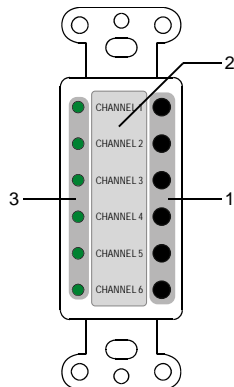


- 1 Anschluss für PWS-C bzw. Eingangsbuchse (IN) zur Verbindung des PWS-4 mit einer vorhergehenden Frontbedieneinheit
- 2 Ausgangsbuchse (OUT) zur Verbindung des PWS-4 mit einer nachfolgenden Frontbedieneinheit
- 3 Mechanische Befestigung für PWS-C und Abdeckung

3.2 PWS-6

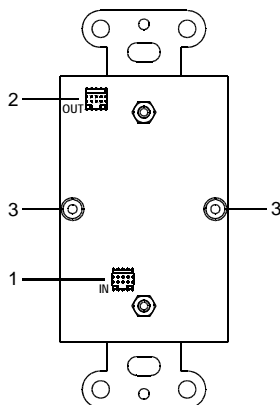
Das PWS-6 besitzt 6 Tasten mit Status-LED.

Frontseite:



- 1 Frei konfigurierbare Funktionstasten
- 2 Beschriftungsfeld
- 3 Status-LEDs für Funktionstasten (1)

Rückseite:



- 1 Anschluss für PWS-C bzw. Eingangsbuchse (IN) zur Verbindung des PWS-6 mit einer vorhergehenden Frontbedieneinheit
- 2 Ausgangsbuchse (OUT) zur Verbindung des PWS-6 mit einer nachfolgenden Frontbedieneinheit
- 3 Mechanische Befestigung für PWS-C und Abdeckung

3.3 Montage und Konfiguration

Die Frontbedieneinheit PWS-4 bzw. PWS-6 wird mit zwei Schrauben mit dem CAN-Bus-Koppler PWS-C verbunden, siehe hierzu Seite 30. Werden in einem Wand-Bedienpanel mehrere Frontbedieneinheiten verwendet, müssen diese in Reihe geschaltet werden. Zur Verbindung von Frontbedieneinheiten wird stets die Ausgangsbuchse (OUT) der einen Fronteinheit mit der Eingangsbuchse (IN) der benachbarten Fronteinheit verbunden.

HINWEIS:

Die Verbindung gleicher Buchsen (IN mit IN bzw. OUT mit OUT) ist nicht zulässig.

Um Verdrahtungsfehler zu vermeiden sollten ausschließlich die mitgelieferten Verbindungskabel verwendet werden. Folgende Abbildung zeigt die Verbindung von zwei Frontbedieneinheiten eines Wand-Bedienpanels.

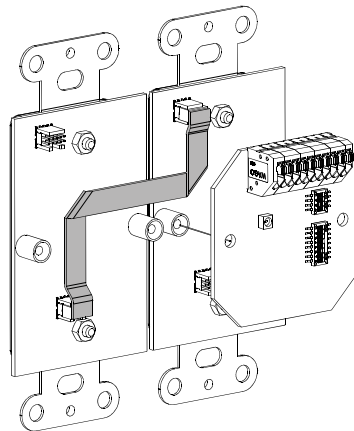
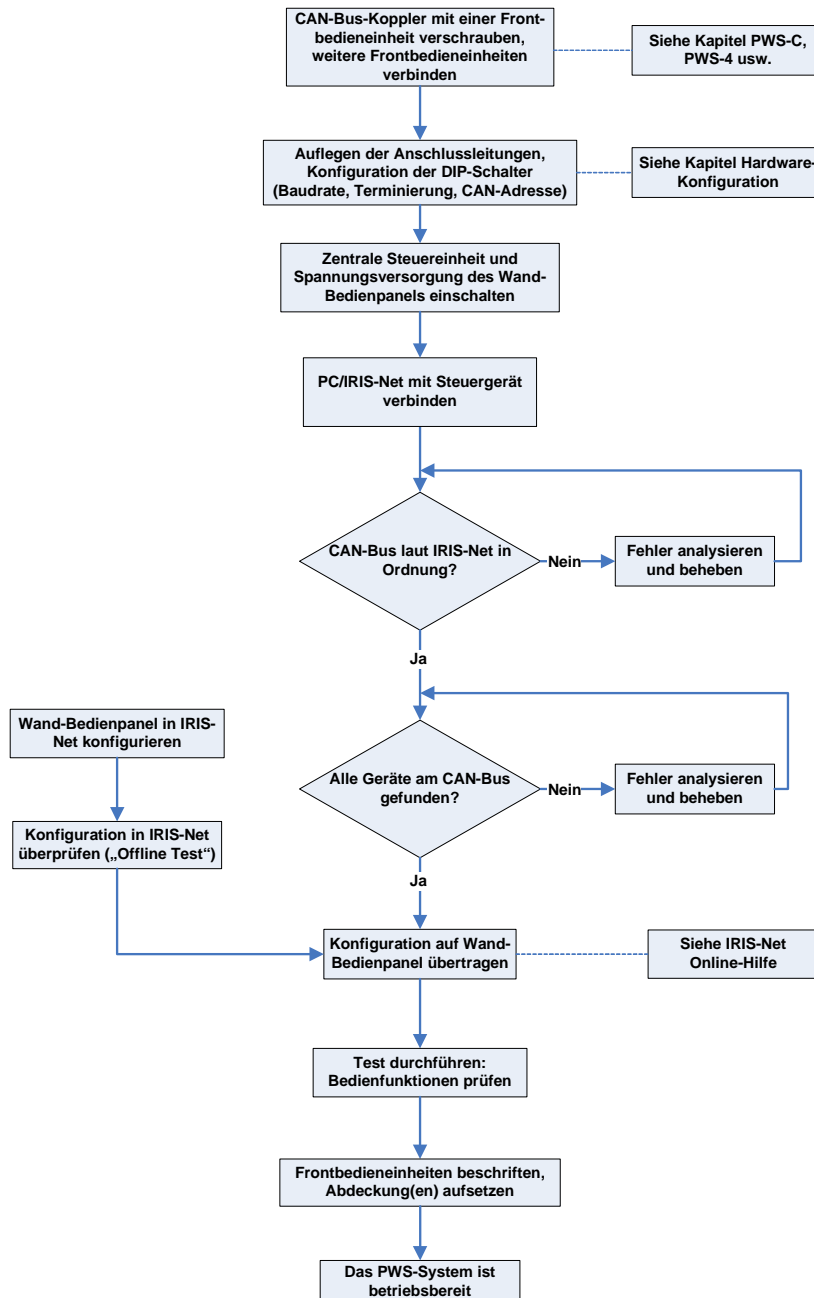


Abbildung 3.1: Verbindung von zwei Frontbedieneinheiten eines Wand-Bedienpanels

An den Frontbedieneinheiten muss keinerlei Hardware-Konfiguration vorgenommen werden. Die Zuweisung von Funktionen erfolgt vollständig über IRIS-Net™. Benachbarte Fronteinheiten müssen der Reihe nach (von links nach rechts bzw. von oben nach unten) verbunden und eingebaut werden.

4 Inbetriebnahme

PWS-Wand-Bedienpanels werden unkonfiguriert ausgeliefert. Folgende Abbildung zeigt den gesamten Ablauf der Inbetriebnahme eines PWS-Systems im Überblick. Bitte beachten Sie die Kapitel der verwendeten Geräte und die Online-Hilfe von IRIS-Net™.

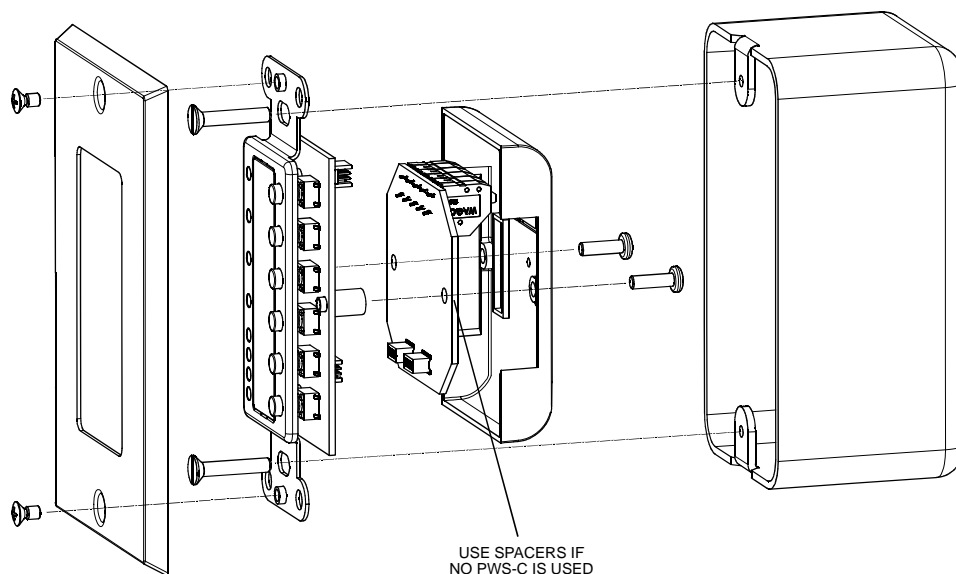


HINWEIS:

Ersatzgeräte werden vom System automatisch erkannt und konfiguriert (siehe Seite 37)

Montage eines Wand-Bedienpanels in eine US Single Gang Wall Box

Für den Einbau des Wand-Bedienpanel wird der PWS-C mittels zweier Schrauben mit einer Frontbedieneinheit des Wand-Bedienpanels verbunden. Weitere Frontbedieneinheiten werden mit den im Lieferumfang enthaltenen Verbindungskabeln verbunden, beachten Sie hierzu die Hinweise in den Kapiteln der verwendeten Frontbedieneinheiten in diesem Dokument.



4.1 Hardware-Konfiguration

Die DIP-Schalter des PWS-C ermöglichen die Einstellung der Baudrate (Seite 30), Terminierung (Seite 32) und der CAN-Adresse (Seite 33). Eine Übersicht der Schalterstellungen im Auslieferungszustand finden Sie auf Seite 25 .

Baudrate

ACHTUNG:
Alle Geräte am CAN-Bus müssen dieselbe Baudrate verwenden.

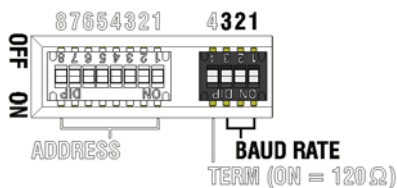
Bestimmung der geeigneten Baudrate

Die maximal zulässige Baudrate des CAN-Bus ist indirekt proportional zur Buslänge. Wenn das Netzwerk nur eine geringe Ausdehnung hat, sind Baudraten bis zu 500 kbit/s möglich. Bei größeren Ausdehnungen muss die Baudrate herabgesetzt werden (bis zur minimalen Baudrate von 10 kbit/s). Die folgende Tabelle erläutert den Zusammenhang zwischen Baudrate und Buslänge bzw. Netzwerkausdehnung. Buslängen über 1000 Meter sollten grundsätzlich nur mit CAN-Repeatern realisiert werden.

Baudrate (in kbit/s)	Buslänge (in m)
500	100
250	250
125	500
62,5	1000
20	2500
10	5000

Tabelle 4.1: Baudrate und Buslänge in CAN-Netzwerken

Einstellung der Baudrate



Zur Einstellung der Baudrate des Bus-Kopplers werden die Kontakte 1, 2 und 3 von DIP-Schalter TERM/BAUD verwendet. Die möglichen Baudraten und zugehörigen Schalterstellungen sind in folgender Tabelle angegeben. Nur in der Schalterstellung PROG-Modus kann die Baudrate des Wand-Bedienpanels über IRIS-Net™ geändert werden, in allen anderen Schalterstellungen bleibt die Baudrate stets auf den gewählten Wert eingestellt.

Der Auslieferungszustand ist in der Tabelle durch Schattierung hervorgehoben. Voreingestellt ist im PROG-Modus eine Datenrate von 10 kbit/s.

DIP-Schalter TERM/BAUD			Datenrate (in kbit/s)
Kontakt 3	Kontakt 2	Kontakt 1	
OFF	OFF	OFF	10
OFF	OFF	ON	20
OFF	ON	OFF	62.5
OFF	ON	ON	125
ON	OFF	OFF	250
ON	OFF	ON	500
ON	ON	OFF	nicht zulässig
ON	ON	ON	PROG-Modus

Tabelle 4.2: Einstellung der Baudrate

HINWEIS:

Bei Einstellung einer festen Baudrate ist eine Baudraten-Änderung über IRIS-Net™ nicht möglich.

Voreinstellung einer Baudrate im PROG-Modus

Beim Anschluss eines PWS-C an einen bestehenden CAN-Bus kann wie in obenstehender Tabelle angegeben die Baudrate fest eingestellt werden. Soll das PWS-C im PROG-Modus angeschlossen werden, kann die Baudrate mit folgenden Schritten direkt am PWS-C voreingestellt werden.

1. Spannungsversorgung des PWS-C aktivieren
2. Einstellung der gewünschten Baudrate an DIP-Schalter TERM/BAUD (siehe Seite 31)
3. Warten bis die Übernahme der Baudrate durch Erlöschen der CAN-Status-LED signalisiert wird.

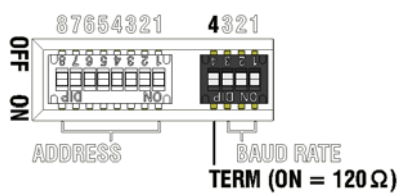
HINWEIS:

Wird bei aktivierter Spannungsversorgung die Schalterstellung geändert, leuchtet die CAN-Status-LED für 3 Sekunden auf. Die neue Einstellung wird erst nach Erlöschen der CAN-Status-LED übernommen.

4. Einstellung des PROG-Modus an DIP-Schalter TERM/BAUD (siehe Seite 31)

Der PWS-C kann nun mit mit der in Schritt 2 eingestellten Baudrate in Betrieb genommen werden.

Terminierung



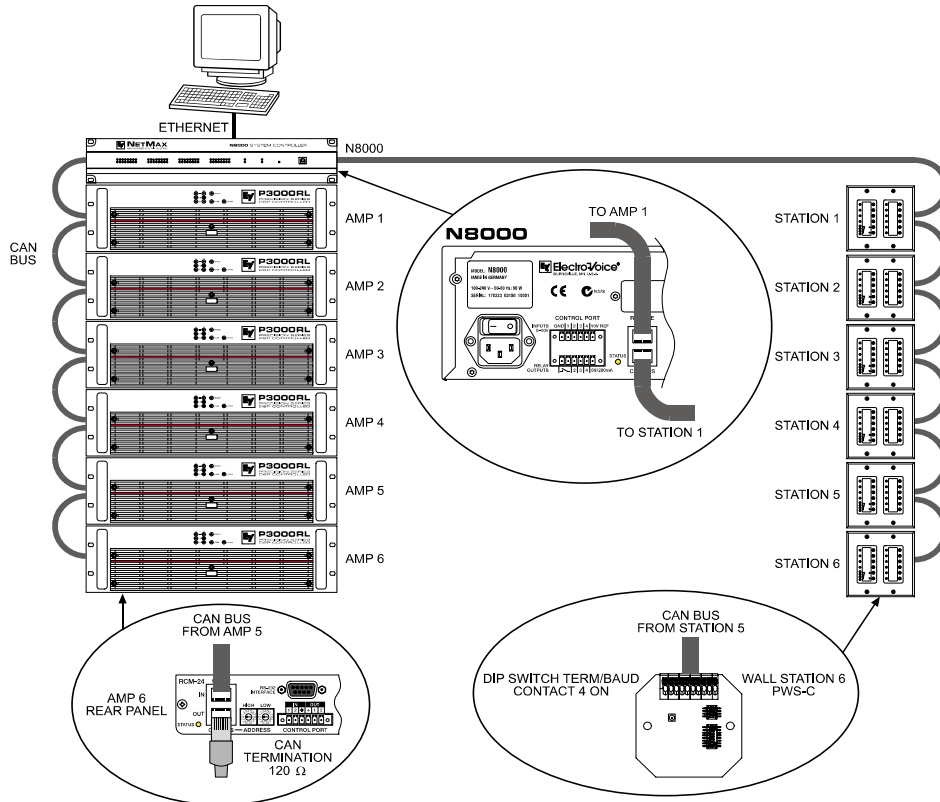
Der CAN-Bus muss an beiden Enden mit einem 120 Ω-Abschlusswiderstand terminiert werden. Bei fehlender oder falscher Terminierung können Funktionsstörungen auftreten. Über Kontakt 4 des DIP-Schalters 1 kann der integrierte Abschlusswiderstand des PWS-C aktiviert werden, siehe folgende Tabelle.

Der Auslieferungszustand ist in der Tabelle durch Schattierung hervorgehoben.

DIP-Schalter 1, Kontakt 4	Terminierung
OFF	offen
ON	geschlossen (120 Ω)

Tabelle 4.3: Terminierung des CAN-Bus

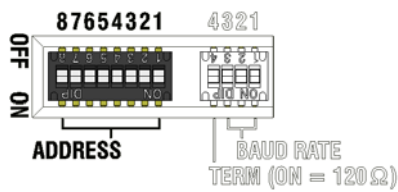
Folgende Abbildung zeigt ein Beispiel eines NetMax-Systems, in dem Remote Endstufen und Wand-Bedienpanels über CAN-Bus verbunden sind. Beide Enden des CAN-Busses sind mit Terminatoren abgeschlossen.



CAN-Adresse

ACHTUNG:

Jede CAN-Adresse darf im System nur einmal vorkommen, da es sonst zu Netzwerk-Konflikten kommt.



Jedes Wand-Bedienpanel benötigt eine eindeutige CAN-Adresse zur Identifikation am CAN-Bus. Es können die Adressen 1 (01 hex) bis 250 (FA hex) verwendet werden. Mit DIP-Schalter ADDRESS des PWS-C (siehe Seite 25) wird die CAN-Adresse als zweistellige Zahl im hexadezimalen Zahlensystem eingestellt. Eine Tabelle der möglichen CAN-Adressen und zugehörigen DIP-Schalter-Einstellungen finden Sie auf Seite 45.

Im Auslieferungszustand ist die CAN-Adresse 0 (00 hex) voreingestellt

HINWEISE:

Zur einfacheren Konfiguration mehrerer Wand-Bedienpanels in einem System sollten diese aufeinander folgende CAN-Adressen erhalten.

Bei Einstellung der CAN-Adresse 0 ist das Wand-Bedienpanel vom CAN-Bus getrennt.

Wird bei aktivierter Spannungsversorgung die Schalterstellung geändert, leuchtet die CAN-Status-LED für 3 Sekunden auf. Die neue Einstellung wird erst nach Erlöschen der CAN-Status-LED übernommen.

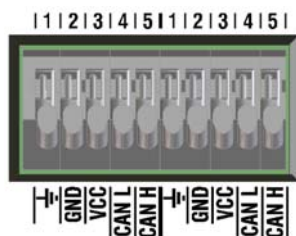
4.2 CAN-Status-LED

Folgende Tabelle zeigt die verschiedenen Anzeigemöglichkeiten der CAN-Status-LED. Die Einträge sind nach fallender Priorität angeordnet, d.h. treten zwei Zustände gleichzeitig auf, wird nur der in der Tabelle weiter oben stehende Zustand signalisiert.

CAN-Status-LED	Bedeutung
Aus	Keine Spannungsversorgung
Dauerlicht	Update von Firmware/Konfiguration läuft
Dauerlicht für 3 Sekunden	Änderung der Stellung von DIP-Schaltern wird übernommen
Blinkt schnell (50 ms ein, 50 ms aus)	Find-Funktion aktiv
Aktivierung für 100 ms	Daten werden über CAN-Bus gesendet
Blinkt jede Sekunde zweimal für 100 ms auf	Fehlerzustand (Hardwarefehler, Konfigurationsfehler, fehlendes/falsches Bedienteil, keine Verbindung zum CAN-Gerät möglich)
Blinkt regelmäßig alle 3 Sekunden für 100 ms auf	CAN-Bus softwaremäßig vom PWS-C abgekoppelt (CAN-Adresse 00 eingestellt)
Blinkt regelmäßig jede Sekunde für 100 ms kurz auf	Normalbetrieb, keine Datenübertragung

Tabelle 4.4: Funktion der CAN-Status-LED

4.3 Anschluss



Der PWS-C besitzt eine 10polige Anschlussklemme für den Anschluss der CAN-Bus-Signalleitungen und Spannungsversorgung. Es können Kabeldurchmesser von 0.5 mm bis 0.8 mm (20 - 24 AWG) verwendet werden. Weiter Informationen hierzu finden Sie im Kapitel Leitungsspezifikation auf Seite 39.

Anschluss	Bedeutung
	Kabelschirm
GND	Betriebsspannung (-) / CAN_GND
VCC	Betriebsspannung (+)
CAN L	CAN_L
CAN H	CAN_H

HINWEIS:

Die Versorgungsmasse und die CAN-Masse sind nicht galvanisch getrennt. Der Spannungsabfall auf der GND-Leitung darf 5 Volt nicht überschreiten.

Anschluss des CAN-Busses

Ausführliche Richtlinien zur Verdrahtung und Buslänge sind im Abschnitt CAN-Bus-Grundlagen ab Seite 38 zu finden.

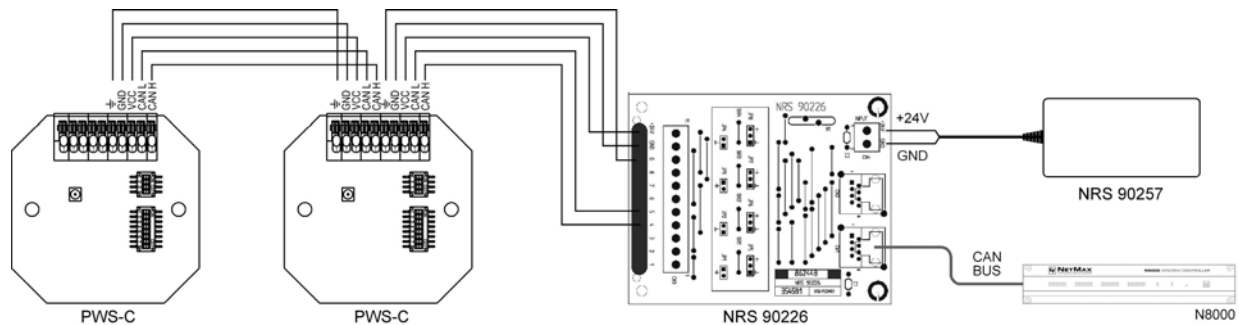
Versorgungsspannung

Zur Spannungsversorgung des Wand-Bedienpanels kann eine Gleichspannung im Bereich 9 Volt bis 58 Volt verwendet werden. Werden mehrere Wand-Bedienpanels an einem CAN-Bus betrieben, kann die Spannungsversorgung entweder über ein zentrales Netzteil oder lokal erfolgen. Bei zentraler Spannungsversorgung wird die Versorgungsspannung parallel zum CAN-Bus mitgeführt. Das verwendete Netzteil muss stets für den maximalen Leistungsbedarf der Wand-Bedienpanels ausgelegt sein.

Beispiel zur Leistungsermittlung:

Bei einem Wand-Bedienpanel bestehend aus 1 PWS-C, 1 PWS-4 und 2 PWS-6 ergibt sich die benötigte Gesamtleistung durch einfache Summierung der einzelnen Leistungsaufnahmen (siehe jeweilige Spezifikation), also: $1 * 480 \text{ mW} + 1 * 175 \text{ mW} + 2 * 150 \text{ mW} = 955 \text{ mW}$

Folgende Abbildung zeigt die Verbindung eines Electro-Voice NetMax N8000 System Controller mit zwei Wand-Bedienpanels. Hierbei wird das 24 Volt Netzteil Dynacord NRS 90257 (PART NO. D121789) und die RJ45-Adapterplatine Dynacord NRS 90226 (PART NO. D121678) verwendet. Zur Verbindung der Massen von PWS-C und N8000 muss Jumper 2 auf der NRS 90226 gesetzt sein.



PWS-C	NRS 90226
	G
GND	GND
VCC	+24V
CAN L	5
CAN H	4

4.4 Find-Funktion

Die Find-Funktion erleichtert die Identifikation eines Wand-Bedienpanels bei Verwendung mehrerer (gleichartiger) Wand-Bedienpanels an einem CAN-Bus. Bei aktivierter Find-Funktion blinkt die rückseitige CAN-STATUS-LED auf dem PWS-C (und, falls vorhanden, die LEDs einer in IRIS-Net™ ausgewählten Frontbedieneinheit) wie in der Tabelle auf Seite 34 angegeben. Die LEDs aller anderen Wand-Bedienpanels, deren Find-Funktion nicht aktiviert sind, leuchten währenddessen nicht. Hinweise zur Verwendung der Find-Funktion entnehmen Sie bitte der Dokumentation von IRIS-Net™.

4.5 Diagnosemodus

Zur Abfrage der Hardware-Konfiguration eines PWS-Wand-Bedienpanels kann der Diagnosemodus verwendet werden. Hierdurch ist eine schnelle und komfortable Überprüfung von Parametern wie CAN-Bus-Adresse, Baudrate usw. ohne Ausbau des Wand-Bedienpanels möglich. Im Diagnosemodus wird diejenige Frontbedieneinheit verwendet, die unmittelbar mit dem CAN-Bus-Koppler verbunden ist.

Taste (von oben nach unten durchnummeriert)	Dargestellter Parameter	Kommentar
1	CAN-Status-LED und DIP-Schalter-Fehleranzeige	Die oberste LED zeigt die selbe Information wie die CAN-Status-LED am PWS-C an (siehe Seite 34), die zweite LED von oben leuchtet, wenn die DIP-Schalter des PWS-C eine ungültige Einstellung besitzen
2	CAN-Adresse (niederwertiges Digit)	Einstellung der Kontakte 1-4 (LOW) des DIP-Schalters ADDRESS (siehe Seite 33) von oben nach unten
3	CAN-Adresse (höherwertiges Digit)	Einstellung der Kontakte 5-8 (HIGH) des DIP-Schalters ADDRESS (siehe Seite 33) von oben nach unten
4	Baudrate	Einstellung der Kontakte 1-3 des DIP-Schalters TERM/BAUD (siehe Seite 30), die Einstellung von Kontakt 4 (Terminierung) wird nicht angezeigt

Tabelle 4.5: Abfragbare Parameter des Bus-Kopplers im Diagnosemodus

Der Diagnose-Modus kann unter folgenden Bedingungen manuell aufgerufen werden:

- Entweder ist der CAN-Bus außer Betrieb (z.B. wenn die CAN-Adresse 0 eingestellt ist)
- oder in IRIS-Net™ ist die Aktivierung des Diagnose-Modus für das Wand-Bedienpanels freigeschaltet (siehe IRIS-Net™ Online Hilfe).

Ist eine der beiden Voraussetzungen erfüllt, gehen Sie zum Aufruf des Diagnosemodus wie folgt vor:

- 1. Drücken Sie eine beliebige Taste des Wand-Bedienpanels und halten Sie diese für mindestens 5 Sekunden gedrückt.**

Das Erreichen des Diagnosemodus wird durch dreimaliges Aufblitzen aller LED's der Frontbedieneinheit signalisiert. Anschließend leuchten die 4 obersten LEDs entsprechend Zeile „1“ von Tabelle 4.5

2. Verwenden Sie die 4 obersten Tasten dieser Frontbedieneinheit zur Abfrage der gewünschten Parameter.

Die im Diagnosemodus abfragbaren Parameter sind in Tabelle 4.5 aufgeführt

Der Diagnosemodus wird unter folgenden Bedingungen automatisch verlassen:

- Entweder wurde mindestens 15 Sekunden lang keine Taste an der Frontbedieneinheit betätigt
- oder der CAN-Bus ist wieder in Betrieb
- oder die Freischaltung des Diagnose-Modus wurde in IRIS-Net™ deaktiviert.

4.6 Automatische Konfiguration

Wird in einem bestehenden PWS-System ein PWS-C ausgewechselt,

- darf die Firmware-Version des Neugeräts nicht älter als die des zu ersetzenden Geräts sein und
- müssen die Einstellungen der DIP-Schalter ADDRESS und TERM/BAUD von Alt- und Neugerät exakt übereinstimmen.

HINWEIS:

Wurde das Altgerät im PROG-Modus mit einer Baudrate ungleich 10 kbit/s betrieben, muss die werksseitig voreingestellte Baudrate im PROG-Modus des Neugeräts entsprechend eingestellt werden (siehe Seite 32).

Sind diese beiden Bedingungen erfüllt wird das Wand-Bedienpanel automatisch vom zu steuernden CAN-Bus-Master konfiguriert und in Betrieb genommen.

4.7 Firmware-Update

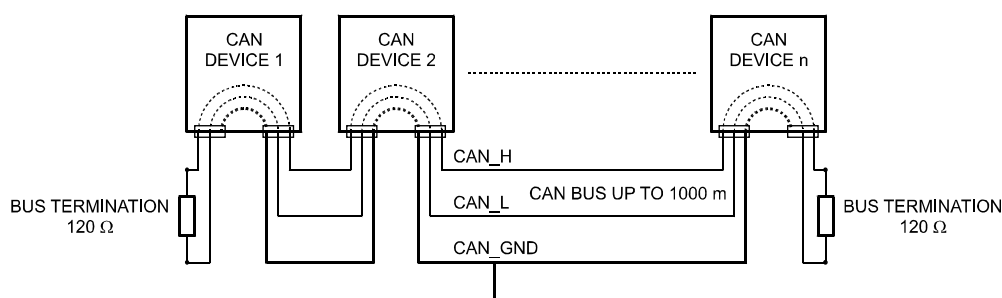
Das Firmware-Update eines Wand-Bedienpanels erfolgt über IRIS-Net™, die aktuelle Firmware-Version ist im Lieferumfang von IRIS-Net™ enthalten. Falls während des Update-Vorgangs ein Fehler (z. B. ein Ausfall der Versorgungsspannung) auftritt, kann der gesamte Vorgang einfach wiederholt werden. Einzelheiten über den Update-Vorgang entnehmen Sie bitte der IRIS-Net™ Online Hilfe.

5 CAN-Bus-Grundlagen

Der CAN-Bus verwendet als Netzwerktopologie die so genannte „Bus- oder Linien-Topologie“. Das heißt, alle Teilnehmer sind an einer einzigen Zweidrahtleitung (Twisted-Pair-Kabel, geschirmt oder ungeschirmt) angeschlossen, wobei die Verkabelung von einem Busteilnehmer zum nächsten verlaufen muss. Jedes Gerät kann hierbei uneingeschränkt mit jedem anderen Gerät kommunizieren. Dabei ist es grundsätzlich egal, ob der Busteilnehmer eine Endstufe, ein N8000 oder ein UCC1 USB-CAN Converter ist. Somit kann der N8000 an beliebiger Stelle am CAN-Bus betrieben werden. Insgesamt können bis zu 100 Geräte an einem CAN-Bus angeschlossen werden.

Der CAN-Bus muss an beiden Enden mit einem $120\ \Omega$ -Abschlusswiderstand terminiert werden. Bei fehlender oder falscher Terminierung können Funktionsstörungen auftreten, da ein Signal auf einem Bus an beiden Bus-Enden reflektiert wird. Durch Überlagerung der Reflexionen mit dem ursprünglichen Signal wird dieses verzerrt, was zu Datenverlusten führen kann. Zur Verhinderung oder Minimierung von Reflexionen an den Bus-Ende werden daher Terminatoren verwendet, um die Energie des Signals dort zu "absorbieren".

Da die CAN-Schnittstelle in vielen EVI Audio Geräten galvanisch getrennt von den übrigen Schaltungsteilen aufgebaut ist, wird auch eine gemeinsame Masseleitung (CAN_GND) in der Netzwerkverkabelung mitgeführt (siehe folgende Abbildung). Damit ist sichergestellt, dass alle CAN-Schnittstellen im Netzwerk auf einem gemeinsamen Potential liegen.



CAN Bus mit Linien-Topologie

Durch einen CAN-Bus-Repeater kann eine Verbindung zwischen zwei unabhängigen und in sich abgeschlossenen CAN-Bus-Systemen hergestellt werden. Hierdurch lassen sich folgende Ziele erreichen:

- Erhöhung der maximalen Teilnehmerzahl am CAN-Bus
An einem einzelnen CAN-Bus können maximal 100 Geräte angeschlossen sein, durch die Verbindung mehrerer CAN-Bus-Systeme durch CAN-Bus-Repeater lässt sich diese Zahl auf bis zu 250 erhöhen. Die Beschränkung auf genau 250 Geräte folgt aus dem verwendeten Adressierungsschema des CAN-Busses, dieses erlaubt die Vergabe von höchstens 250 unterschiedlichen CAN-Geräteadressen.
- Verbesserung der Signalqualität auf dem CAN-BUS
Bei CAN-Bus-Systemen, deren Bus-Länge 1000 Meter überschreitet, sollte ein CAN-Bus-Repeater verwendet werden. Der CAN-Bus-Repeater führt eine Aufbereitung und Verstärkung der Bussignale durch. Die dabei auftretende interne Laufzeit des Repeaters von ca. 150 ns entspricht einer Verkürzung der max. Buslänge um ca. 45 Meter.

- Bildung alternativer Netztopologien

Durch die Verwendung von einem oder mehreren Repeatern ist neben der oben dargestellten Bus-Topologie auch der Aufbau anderer Netztopologien möglich.

Leitungsspezifikation

Gemäß dem ISO 11898-2 Standard sollten für den CAN-Bus als Datenübertragungskabel vorzugsweise Twisted-Pair-Leitungen, geschirmt oder ungeschirmt, mit einem Wellenwiderstand von $120\ \Omega$ zum Einsatz kommen. Als Leitungsabschluss muss an beiden Enden ein Abschlusswiderstand von $120\ \Omega$ vorgesehen werden. Die maximale Buslänge ist abhängig von der Datenübertragungsrate, von der Art des Datenübertragungskabels sowie von der Anzahl der Bus-Teilnehmer. Die folgende Tabelle zeigt die wesentlichen Zusammenhänge für CAN-Netzwerke mit bis zu 64 Teilnehmern.

Buslänge (in m)	Datenübertragungskabel		Abschlusswiderstand (in Ω)	Max. Datenübertragungsrate
	Widerstandsbelag (in $m\Omega/m$)	Kabelquerschnitt		
0...40	< 70	0,25...0,34 mm ² AWG23, AWG22	124	1000 kbit/s bei 40 m
40...300	< 60	0,34...0,6 mm ² AWG22, AWG20	127	500 kbit/s bei 100 m
300 ... 600	< 40	0,5...0,6 mm ² AWG 20	150...300*	100 kbit/s bei 500 m
600...1000	< 26	0,75...0,8 mm ² AWG 18	150...300*	62,5 kbit/s bei 1000 m

* Bei langen Leitungen und vielen Geräten am CAN-Bus werden hochohmigere Abschlusswiderstände als die spezifizierten $120\ \Omega$ empfohlen, um die ohmsche Last für die Schnittstellentreiber und damit den Spannungsabfall von einem zum anderen Leitungsende zu verringern.

Die nächste Tabelle dient zur ersten Abschätzung des erforderlichen Kabelquerschnitts für unterschiedliche Buslängen und verschiedene Anzahl der Bus-Teilnehmer.

Buslänge (in m)	Anzahl der Geräte am CAN-Bus		
	32	64	100
100	0,25 mm ² bzw. AWG24	0,34 mm ² bzw. AWG22	0,34 mm ² bzw. AWG22
250	0,34 mm ² bzw. AWG22	0,5 mm ² bzw. AWG20	0,5 mm ² bzw. AWG20
500	0,75 mm ² bzw. AWG18	0,75 mm ² bzw. AWG18	1,0 mm ² bzw. AWG17

Wenn ein Teilnehmer nicht direkt am CAN-Bus angeschlossen werden kann, muss eine Stichleitung (Abzwegleitung) verwendet werden. Da an einem CAN-Bus immer genau zwei Abschlusswiderstände vorhanden sein müssen, kann eine Stichleitung nicht terminiert sein. Dadurch entstehen wiederum Reflexionen, die den übrigen Bus beeinträchtigen. Zur Begrenzung dieser Reflexionen sollten diese Stichleitungen bei Datenübertragungsraten bis zu 125 kbit/s eine Einzellänge von max. 2 Meter und bei höheren Bitraten von max. 0,3 Meter nicht überschreiten. Die Gesamtlänge aller Abzwegleitungen sollte 30 Meter nicht übersteigen.

Grundsätzlich gilt:

- Für die Rack-Verdrahtung können handelsübliche RJ-45 Patchkabel mit 100 Ω Wellenwiderstand verwendet werden (AWG 24 / AWG 26), wenn es sich nur um kurze Strecken handelt (bis zu 10 Meter).
- Für die Verdrahtung der Racks untereinander und in der Gebäudeinstallation sind unbedingt die oben genannten Richtlinien für die Netzwerkverkabelung einzuhalten.

6 Specification

PWS-C

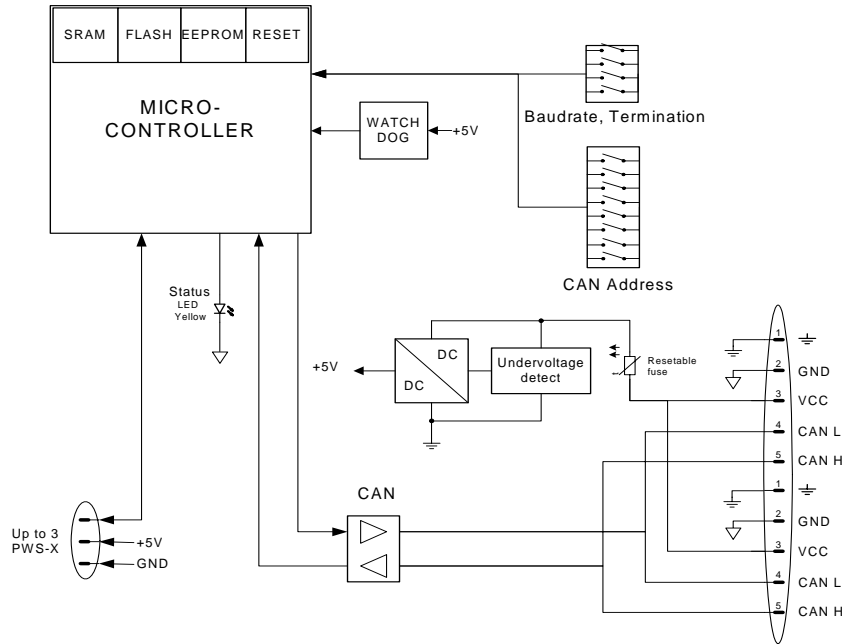
PWS-C GENERAL SPECIFICATIONS	
Supply Voltage Range	9...58 V DC
Supply Current	20 mA @ 24 V DC
Power Consumption	480 mW
Operating Temperature Range	-5 °C...+40 °C
Max. Line Length (CAN bus)	1000 m
Cable diameter (solid wire)	0.5 - 0.8 mm / 20 - 24 AWG
Dimensions (W x H x D)	48 x 48.5 x 19 mm
Weight	15 g

PWS-4 / PWS-6

	PWS-4	PWS-6
Supply Voltage (via PWS-C)	5 V DC	
Supply Current (via PWS-C)	35 mA	30 mA
Max. Power Consumption	175 mW	150 mW
Buttons	4 with green status LED 2 Up/Down-Buttons	6 with green status LED
LED chain	4 green LEDs	-
Dimensions (W x H x D)	48 x 105 x 34 mm	
Weight	80 g	
Operating Temperature Range	-5 °C... 40 °C	

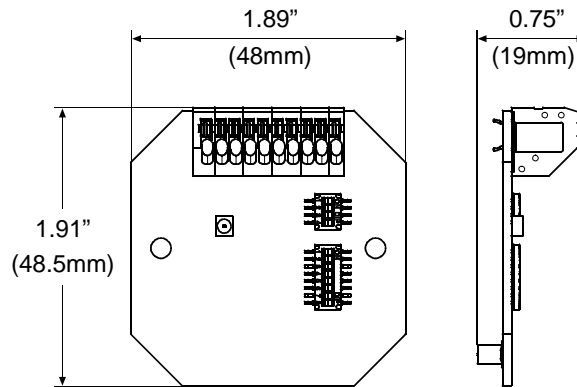
6.1 Block Diagram

PWS-C

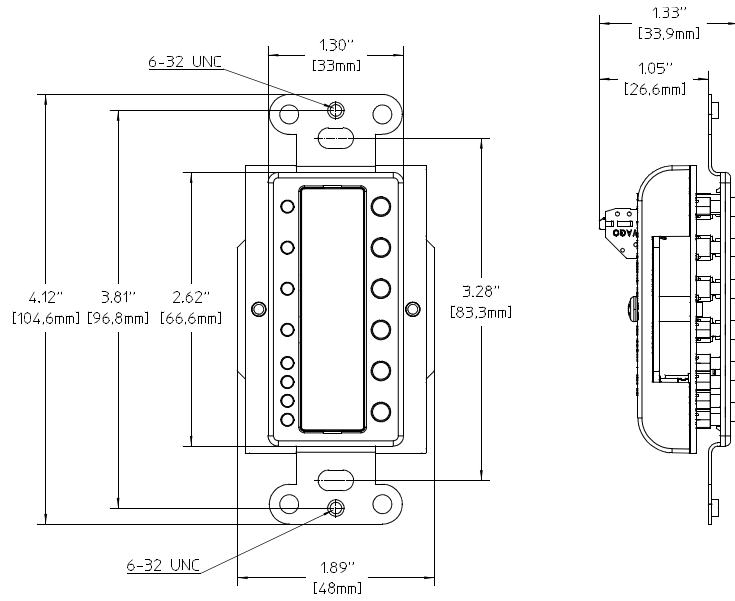


6.2 Dimensions

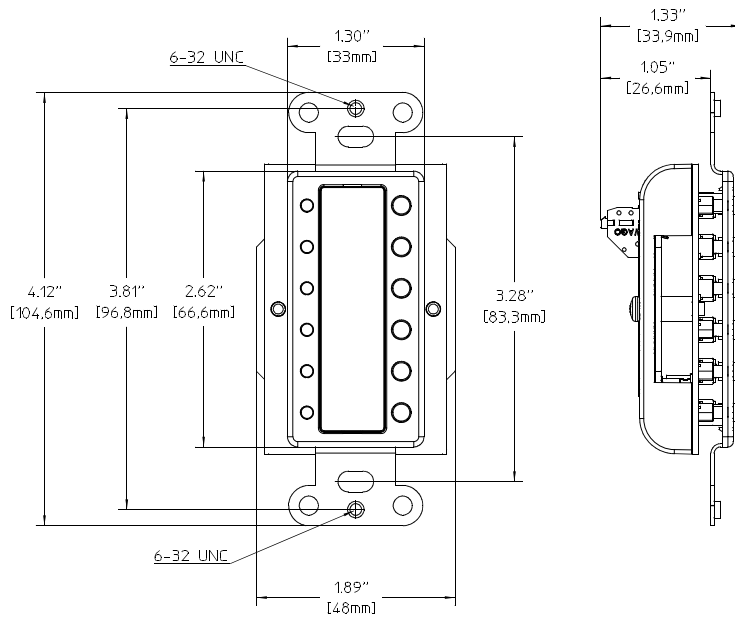
PWS-C



PWS-4



PWS-6



6.4 Setting CAN-Address via DIP-Switch ADDRESS

CAN address		DIP switch ADDRESS								CAN address		DIP switch ADDRESS								CAN address		DIP switch ADDRESS							
decimal	hex	8	7	6	5	4	3	2	1	decimal	hex	8	7	6	5	4	3	2	1	decimal	hex	8	7	6	5	4	3	2	1
0	00	OFF	OFF	OFF	OFF	OFF	OFF	OFF	OFF	84	54	OFF	ON	OFF	ON	OFF	ON	OFF	OFF	168	A8	ON	OFF	ON	OFF	ON	OFF	OFF	OFF
1	01	OFF	OFF	OFF	OFF	OFF	OFF	OFF	ON	85	55	OFF	ON	OFF	ON	OFF	ON	OFF	ON	169	A9	ON	OFF	ON	OFF	ON	OFF	OFF	ON
2	02	OFF	OFF	OFF	OFF	OFF	OFF	ON	OFF	86	56	OFF	ON	OFF	ON	OFF	ON	ON	OFF	170	AA	ON	OFF	ON	OFF	ON	OFF	ON	OFF
3	03	OFF	OFF	OFF	OFF	OFF	OFF	ON	ON	87	57	OFF	ON	OFF	ON	OFF	ON	ON	ON	171	AB	ON	OFF	ON	OFF	ON	OFF	ON	ON
4	04	OFF	OFF	OFF	OFF	OFF	ON	OFF	OFF	88	58	OFF	ON	OFF	ON	ON	OFF	OFF	OFF	172	AC	ON	OFF	ON	OFF	ON	ON	OFF	OFF
5	05	OFF	OFF	OFF	OFF	OFF	ON	OFF	ON	89	59	OFF	ON	OFF	ON	ON	OFF	OFF	ON	173	AD	ON	OFF	ON	OFF	ON	ON	OFF	ON
6	06	OFF	OFF	OFF	OFF	OFF	ON	ON	OFF	90	5A	OFF	ON	OFF	ON	ON	OFF	ON	OFF	174	AE	ON	OFF	ON	OFF	ON	ON	ON	OFF
7	07	OFF	OFF	OFF	OFF	OFF	ON	ON	ON	91	5B	OFF	ON	OFF	ON	ON	OFF	ON	ON	175	AF	ON	OFF	ON	OFF	ON	ON	ON	ON
8	08	OFF	OFF	OFF	OFF	ON	OFF	OFF	OFF	92	5C	OFF	ON	OFF	ON	ON	ON	OFF	OFF	176	B0	ON	OFF	ON	ON	OFF	OFF	OFF	OFF
9	09	OFF	OFF	OFF	OFF	ON	OFF	OFF	ON	93	5D	OFF	ON	OFF	ON	ON	ON	OFF	ON	177	B1	ON	OFF	ON	ON	OFF	OFF	OFF	ON
10	0A	OFF	OFF	OFF	OFF	ON	OFF	ON	OFF	94	5E	OFF	ON	OFF	ON	ON	ON	ON	OFF	178	B2	ON	OFF	ON	ON	OFF	OFF	ON	OFF
11	0B	OFF	OFF	OFF	OFF	ON	OFF	ON	ON	95	5F	OFF	ON	OFF	ON	ON	ON	ON	ON	179	B3	ON	OFF	ON	ON	OFF	OFF	ON	ON
12	0C	OFF	OFF	OFF	OFF	ON	ON	OFF	OFF	96	60	OFF	ON	ON	OFF	OFF	OFF	OFF	OFF	180	B4	ON	OFF	ON	ON	OFF	ON	OFF	OFF
13	0D	OFF	OFF	OFF	OFF	ON	ON	OFF	ON	97	61	OFF	ON	ON	OFF	OFF	OFF	OFF	ON	181	B5	ON	OFF	ON	ON	OFF	ON	OFF	ON
14	0E	OFF	OFF	OFF	OFF	ON	ON	ON	OFF	98	62	OFF	ON	ON	OFF	OFF	OFF	ON	OFF	182	B6	ON	OFF	ON	ON	OFF	ON	ON	OFF
15	0F	OFF	OFF	OFF	OFF	ON	ON	ON	ON	99	63	OFF	ON	ON	OFF	OFF	OFF	ON	ON	183	B7	ON	OFF	ON	ON	OFF	ON	ON	ON
16	10	OFF	OFF	OFF	OFF	ON	OFF	OFF	OFF	100	64	OFF	ON	ON	OFF	OFF	ON	OFF	OFF	184	B8	ON	OFF	ON	ON	ON	OFF	OFF	OFF
17	11	OFF	OFF	OFF	ON	OFF	OFF	OFF	ON	101	65	OFF	ON	ON	OFF	OFF	ON	OFF	ON	185	B9	ON	OFF	ON	ON	ON	OFF	OFF	ON
18	12	OFF	OFF	OFF	ON	OFF	ON	OFF	ON	102	66	OFF	ON	ON	OFF	OFF	ON	ON	OFF	186	BA	ON	OFF	ON	ON	ON	ON	OFF	ON
19	13	OFF	OFF	OFF	ON	OFF	ON	ON	ON	103	67	OFF	ON	ON	OFF	OFF	ON	ON	ON	187	Bb	ON	OFF	ON	ON	ON	OFF	ON	ON
20	14	OFF	OFF	OFF	ON	OFF	ON	OFF	OFF	104	68	OFF	ON	ON	OFF	ON	OFF	OFF	OFF	188	BC	ON	OFF	ON	ON	ON	ON	OFF	OFF
21	15	OFF	OFF	OFF	ON	OFF	ON	OFF	ON	105	69	OFF	ON	ON	OFF	ON	OFF	OFF	ON	189	BD	ON	OFF	ON	ON	ON	ON	ON	OFF
22	16	OFF	OFF	OFF	ON	OFF	ON	ON	OFF	106	6A	OFF	ON	ON	OFF	ON	OFF	ON	OFF	190	BE	ON	OFF	ON	ON	ON	ON	ON	OFF
23	17	OFF	OFF	OFF	ON	OFF	ON	ON	ON	107	6B	OFF	ON	ON	OFF	ON	OFF	ON	ON	191	BF	ON	OFF	ON	ON	ON	ON	ON	ON
24	18	OFF	OFF	OFF	ON	ON	OFF	OFF	OFF	108	6C	OFF	ON	ON	OFF	ON	ON	OFF	OFF	192	C0	ON	ON	OFF	OFF	OFF	OFF	OFF	OFF
25	19	OFF	OFF	OFF	ON	ON	OFF	OFF	ON	109	6D	OFF	ON	ON	OFF	ON	ON	OFF	ON	193	C1	ON	ON	OFF	OFF	OFF	OFF	OFF	ON
26	1A	OFF	OFF	OFF	ON	ON	OFF	ON	OFF	110	6E	OFF	ON	ON	OFF	ON	ON	ON	OFF	194	C2	ON	ON	OFF	OFF	OFF	OFF	OFF	ON
27	1B	OFF	OFF	OFF	ON	ON	OFF	ON	ON	111	6F	OFF	ON	ON	OFF	ON	ON	ON	ON	195	C3	ON	ON	OFF	OFF	OFF	OFF	ON	ON
28	1C	OFF	OFF	OFF	ON	ON	OFF	OFF	OFF	112	70	OFF	ON	ON	OFF	OFF	OFF	OFF	OFF	196	C4	ON	ON	OFF	OFF	OFF	ON	OFF	OFF
29	1D	OFF	OFF	OFF	ON	ON	ON	OFF	ON	113	71	OFF	ON	ON	ON	OFF	OFF	OFF	ON	197	C5	ON	ON	OFF	OFF	OFF	ON	OFF	ON
30	1E	OFF	OFF	OFF	ON	ON	ON	ON	OFF	114	72	OFF	ON	ON	ON	OFF	OFF	ON	OFF	198	C6	ON	ON	OFF	OFF	OFF	ON	ON	OFF
31	1F	OFF	OFF	OFF	ON	ON	ON	ON	ON	115	73	OFF	ON	ON	ON	OFF	OFF	ON	ON	199	C7	ON	ON	OFF	OFF	OFF	ON	ON	ON
32	20	OFF	OFF	ON	OFF	OFF	OFF	OFF	OFF	116	74	OFF	ON	ON	ON	OFF	ON	OFF	OFF	200	C8	ON	ON	OFF	OFF	ON	OFF	OFF	OFF
33	21	OFF	OFF	ON	OFF	OFF	OFF	OFF	ON	117	75	OFF	ON	ON	ON	OFF	ON	OFF	ON	201	C9	ON	ON	OFF	OFF	ON	OFF	OFF	ON
34	22	OFF	OFF	ON	OFF	OFF	OFF	ON	OFF	118	76	OFF	ON	ON	ON	OFF	ON	ON	OFF	202	CA	ON	ON	OFF	OFF	ON	OFF	ON	OFF
35	23	OFF	OFF	ON	OFF	OFF	OFF	ON	ON	119	77	OFF	ON	ON	ON	OFF	ON	ON	ON	203	CB	ON	ON	OFF	OFF	ON	OFF	ON	ON
36	24	OFF	OFF	ON	OFF	OFF	ON	OFF	OFF	120	78	OFF	ON	ON	ON	ON	OFF	OFF	OFF	204	CC	ON	ON	OFF	OFF	ON	ON	OFF	OFF
37	25	OFF	OFF	ON	OFF	OFF	ON	OFF	ON	121	79	OFF	ON	ON	ON	ON	OFF	OFF	ON	205	CD	ON	ON	OFF	OFF	ON	ON	OFF	ON
38	26	OFF	OFF	ON	OFF	OFF	ON	ON	OFF	122	7A	OFF	ON	ON	ON	ON	OFF	ON	OFF	206	CE	ON	ON	OFF	OFF	ON	ON	ON	OFF
39	27	OFF	OFF	ON	OFF	OFF	ON	ON	ON	123	7B	OFF	ON	ON	ON	ON	OFF	ON	ON	207	CF	ON	ON	OFF	OFF	ON	ON	ON	ON
40	28	OFF	OFF	ON	OFF	ON	OFF	OFF	OFF	124	7C	OFF	ON	ON	ON	ON	ON	OFF	OFF	208	D0	ON	ON	OFF	ON	OFF	OFF	OFF	OFF
41	29	OFF	OFF	ON	OFF	ON	OFF	OFF	ON	125	7D	OFF	ON	ON	ON	ON	ON	ON	OFF	209	D1	ON	ON	OFF	ON	OFF	OFF	OFF	ON
42	2A	OFF	OFF	ON	OFF	ON	OFF	ON	OFF	126	7E	OFF	ON	ON	ON	ON	ON	ON	OFF	210	D2	ON	ON	OFF	ON	OFF	OFF	OFF	ON
43	2B	OFF	OFF	ON	OFF	ON	OFF	ON	ON	127	7F	OFF	ON	ON	ON	ON	ON	ON	ON	211	D3	ON	ON	OFF	ON	OFF	OFF	ON	ON
44	2C	OFF	OFF	ON	OFF	ON	ON	OFF	OFF	128	80	ON	OFF	OFF	OFF	OFF	OFF	OFF	OFF	212	D4	ON	ON	OFF	ON	OFF	ON	OFF	OFF
45	2D	OFF	OFF	ON	OFF	ON	ON	OFF	ON	129	81	ON	OFF	OFF	OFF	OFF	OFF	OFF	ON	213	D5	ON	ON	OFF	ON	OFF	ON	OFF	ON
46	2E	OFF	OFF	ON	OFF	ON	ON	ON	OFF	130	82	ON	OFF	OFF	OFF	OFF	OFF	ON	OFF	214	D6	ON	ON	OFF	ON	OFF	ON	ON	OFF
47	2F	OFF	OFF	ON	OFF	ON	ON	ON	ON	131	83	ON	OFF	OFF	OFF	OFF	OFF	ON	ON	215	D7	ON	ON	OFF	ON	OFF	ON	ON	ON
48	30	OFF	OFF	ON	ON	OFF	OFF	OFF	OFF	132	84	ON	OFF	OFF	OFF	OFF	OFF	OFF	OFF	216	D8	ON	ON	OFF	ON	ON	OFF	OFF	OFF
49	31	OFF	OFF	ON	ON	OFF	OFF	OFF	ON	133	85	ON	OFF	OFF	OFF	OFF	OFF	ON	OFF	217	D9	ON	ON	OFF	ON	ON	ON	OFF	OFF
50	32	OFF	OFF	ON	ON	OFF	OFF	ON	OFF	134	86	ON	OFF	OFF	OFF	OFF	ON	ON	OFF	218	DA	ON	ON	OFF	ON	ON	OFF	ON	OFF
51	33	OFF	OFF	ON	ON	OFF	OFF	ON	ON	135	87	ON	OFF	OFF	OFF	OFF	ON	ON	ON	219	DB	ON	ON	OFF	ON	ON	OFF	ON	ON
52	34	OFF	OFF	ON	ON	OFF	ON	OFF	OFF	136	88	ON	OFF	OFF	OFF	ON	OFF	OFF	OFF	220	DC	ON	ON	OFF	ON	ON	ON	OFF	OFF
53	35	OFF	OFF	ON	ON	OFF	ON	OFF	ON	137	89	ON	OFF	OFF	OFF	ON	OFF	OFF	ON	221	DD	ON	ON	OFF	ON	ON	ON	OFF	ON
54	36	OFF	OFF	ON	ON	OFF	ON	ON	OFF	138	8A	ON	OFF	OFF	OFF	ON	OFF	ON	OFF	222	DE	ON	ON	OFF	ON	ON	ON	ON	OFF
55	37	OFF	OFF	ON	ON	OFF	ON	ON	ON	139	8B	ON	OFF	OFF	OFF	ON	OFF	ON	ON	223	DF	ON	ON	OFF	ON	ON	ON	ON	ON
56	38	OFF	OFF	ON	ON	ON	OFF	OFF	OFF	140	8C	ON	OFF	OFF	OFF	ON	ON	OFF	OFF	224	E0	ON	ON	ON	OFF	OFF	OFF	OFF	OFF
57	39	OFF	OFF	ON	ON	ON	OFF	OFF	ON	141	8D	ON	OFF	OFF	OFF	ON	ON	ON	OFF	225	E1	ON	ON	ON	OFF	OFF	OFF	OFF	ON
58	3A	OFF	OFF	ON	ON	ON	OFF	ON	OFF	142	8E	ON	OFF	OFF	OFF	ON	ON	ON	OFF	226	E2	ON	ON	ON	OFF	OFF	OFF	ON	OFF
59	3B	OFF	OFF	ON	ON	ON	ON	ON	ON	143	8F	ON	OFF	OFF	OFF	ON	ON	ON	ON	227	E3	ON	ON	ON	OFF	OFF	OFF	ON	ON
60	3C	OFF	OFF	ON	ON	ON	ON	OFF	OFF	144	90	ON	OFF	OFF	ON	OFF	OFF	OFF	OFF	228	E4	ON	ON	ON	OFF	OFF	ON	OFF	OFF
61	3D	OFF	OFF	ON	ON	ON	ON	OFF	ON	145	91	ON	OFF	OFF	ON	OFF	OFF	OFF	ON	229	E5	ON	ON	ON	OFF	OFF	ON	OFF	ON
62	3E	OFF	OFF	ON	ON	ON	ON	ON	OFF	14																			

Notes

Americas

Telex Communications Inc.
12000 Portland Ave South,
Burnsville, MN 55337, USA
USA:

Phone: 1-800-392-3497
Fax: 1-800-955-6831

Canada:

Phone: 1-866-505-5551
Fax: 1-866-336-8467

Latin America:

Phone: 1-952-887-5532
Fax: 1-952-736-4212

Asia & Pacific Rim

Japan:

EVI Audio Japan Ltd.
5-3-8 Funabashi
Setagaya-Ku
Tokyo
Japan 156-0055
Phone: +81 3-5316-5020
Fax: +81 3-5316-5031

China:

Telex EVI Audio (Shanghai) Ltd.
Room 3105-3109
No. 1 Building
No. 218, Tian Mu West Road
Shanghai
China
PC: 200070
Phone: +86 21-6317-2155
Fax: +86 21-6317-3023

Europe, Africa & Middle-East

Germany:

EVI Audio GmbH
Hirschberger Ring 45
D-94315 Straubing
Germany
Phone: +49 9421 706-0
Fax: +49 9421 706-265

Hong Kong:

Telex EVI Audio (HK) Ltd.
Unit 5, 1/F,
Topsail Plaza 11 On Shum Street Shek Mun
Shatin
HK
Phone: +852 2351-3628
Fax: +852 2351-3329

France:

EVI Audio France S.A.
Parc de Courcerin
Allée Lech Walesa
F 77185 Lognes
France
Phone: +33 1-6480-0090
Fax: +33 1-6006-5103

Singapore:

Telex Pte. Ltd.
38C Jalan Pemimpin
Singapore 577180
Phone: (65) 6319 0621
Fax: (65) 6319 0620

UK:

Shuttlesound
4 The Willows Centre
Willow Lane
Mitcham
Surrey CR4 4NX
UK
Phone: +44 208 646 7114
Fax: +44 208 254 5666