



GENERAL INFORMATION

The Irideon FPZ builds on the beauty and punch of the Source Four® beam and puts it into a fixture designed to work in any architectural environment. With built-in zoom optics, three-plane shutters and a rotating barrel, the FPZ can create a sharp or soft focused light in any shape you need. And when used with either glass or metal gobos, logos and designs look sharp and distinctive.

With the addition of local level control as well as individual DMX addressing, the Irideon FPZ can do it all, and look great while doing it.

VENUES

- Museums
- Retail stores
- Restaurants
- Hospitality/Lobbies
- Theaters

FEATURES

- Rugged, die-cast fixture body
- 25-50 degree zoom optics
- Uniquely efficient optical system
- Long-life dimmable white LED sources
- Three-plane shutters
- Integrated media holder
- DataTrack® mount with built-in intensity trim and DMX control
- Available in black, white and silver
 - Custom paint colors available; contact ETC

GENERAL

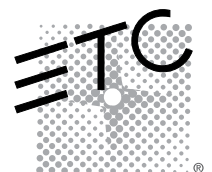
- ETL listed to the following standards
 - Track mount: UL/cUL1574 and CAN/CSA C22.2 No. 9.0

ORDERING INFORMATION

| MODEL | DESCRIPTION |
|------------------|---|
| IRFPZ-30/80-120T | Irideon FPZ 3000K (black) |
| IRFPZ-30/90-120T | Irideon FPZ Gallery 3000K (90+ CRI) (black) |
| IRFPZ-40/80-120T | Irideon FPZ 4000K (black) |
| IRFPZ-50/80-120T | Irideon FPZ 5000K (black) |

| COLOR OPTIONS | |
|---------------|--------------|
| -1 | White |
| -5 | Silver |
| -8 | Custom Color |

Note: To designate colors other than black, add the options above to the model number. For example, an Irideon FPZ 3000K Silver fixture would be IRFPZ-30/80-120T-5.



SPECIFICATIONS

PHYSICAL

- A380 grade, die-cast aluminum construction
- Fine-texture, high-temperature powder-coated paint
- Steel yoke
- Track mount with fully integrated driver-
 - Compatible and ETL-listed for ETCDataTrack (EUTRAC) brand track
 - DataTrack two-circuit (120V) and Eutrac three-circuit (230V)
 - color matched track adapter included
- Rotating shutter assembly $\pm 175^\circ$
- E-size gobo pattern holder (included)
 - 37.5mm with a 25.4mm image area
- Locking, A301 grade stainless steel, full hard shutters in a tri-plane assembly, 0.40mm
- Tool-free tilt and beam adjustment
- High-impact resistant, thermally insulated knobs and shutter handles
- Captive accessory slot for pattern holder (included)
- Magnetically held media holder
- IP20 rated

ELECTRICAL

- Power at full intensity: 20W typical
- DMX/RDM built in
- - Up to 32 DMX devices per data run
- - Up to 20 RDM devices per data run
- Input voltage options:
 - 100-120VAC 50/60 hz
 - 230-240VAC 50/60 Hz
- Inrush (first half-cycle)
 - 120V: 11A
 - 240V: 24A

SOURCE

- Cree LED (Available in 80+ and 90+ CRI)
 - Irideon FPZ 3000K: 80+ CRI
 - Irideon FPZ 3000K Gallery: 90+ CRI
 - Irideon FPZ 4000K: 80+ CRI
 - Irideon FPZ 5000K: 80+ CRI
- 35,000 hours L70 lumen maintenance

OPTICAL

- Built-in zoom optics (25-50 degree beam-angle)
- Projector-quality, high-contrast lenses
- Beam edge continually adjustable hard to soft

THERMAL

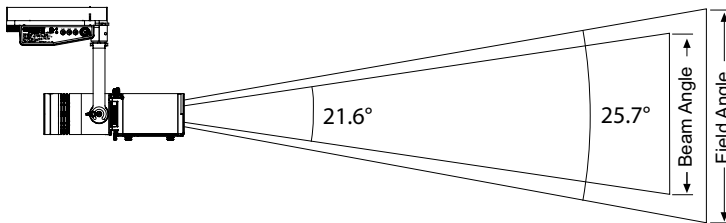
- 0°C to 40°C (32°F to 104°F)

PHOTOMETRY

Narrow Focus

| Mode | Focus | Candela | Field Lumens | Beam Lumens | Power Consumption | Efficacy (lpw) |
|----------------|--------|---------|--------------|-------------|-------------------|----------------|
| 3000K / 90 CRI | Narrow | 6,785 | 700 | 564 | 20 | 35.0 |
| 3000K / 80 CRI | Narrow | 7,543 | 808 | 665 | 20 | 40.4 |
| 4000K / 80 CRI | Narrow | 8,964 | 957 | 783 | 20 | 47.9 |
| 5000K / 80 CRI | Narrow | 9,117 | 929 | 688 | 20 | 46.5 |

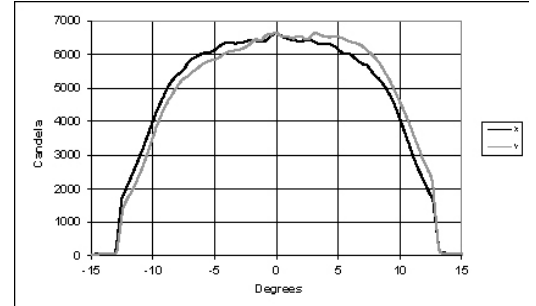
Metric conversions: For meters, multiply feet by 0.3048
For lux, multiply footcandles by 10.76



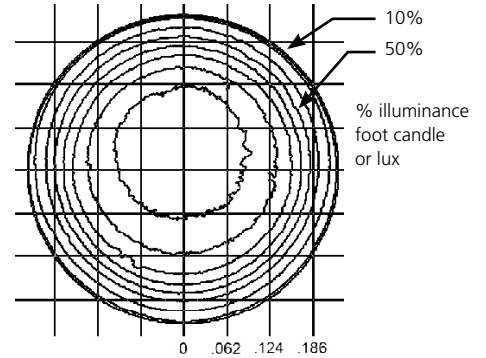
| Throw Distance (d) | 10ft | 15ft | 20ft | 30ft | 86.9ft |
|--------------------|-------|-------|-------|--------|--------|
| | 3.0m | 4.6m | 6.1m | 9.1m | 26.5m |
| Field Diameter | 4.6ft | 6.8ft | 9.1ft | 13.7ft | - |
| | 1.4m | 2.1m | 2.8m | 4.2m | - |
| Illuminance (fc) | 75 | 34 | 19 | 8 | 1 |
| Illuminance (lux) | 812 | 361 | 203 | 90 | 10.76 |

For field diameter at any distance, multiply distance by 0.456
For beam diameter at any distance, multiply by 0.382

Candela Plot



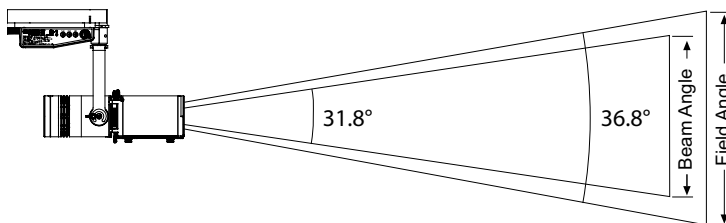
Iso-Illuminance Diagram (Flat Surface Distribution)



Mid Focus

| Mode | Focus | Candela | Field Lumens | Beam Lumens | Power Consumption | Efficacy (lpw) |
|----------------|-------|---------|--------------|-------------|-------------------|----------------|
| 3000K / 90 CRI | Mid | 3,487 | 721 | 566 | 20 | 36.1 |
| 3000K / 80 CRI | Mid | 3,915 | 836 | 669 | 20 | 41.8 |
| 4000K / 80 CRI | Mid | 4,658 | 988 | 788 | 20 | 49.4 |
| 5000K / 80 CRI | Mid | 4,619 | 964 | 766 | 20 | 48.2 |

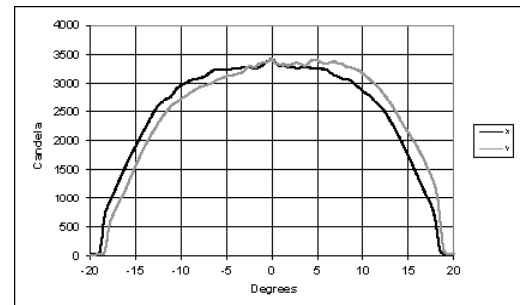
Metric Conversions: For meters, multiply feet by 0.3048
For lux, multiply footcandles by 10.76



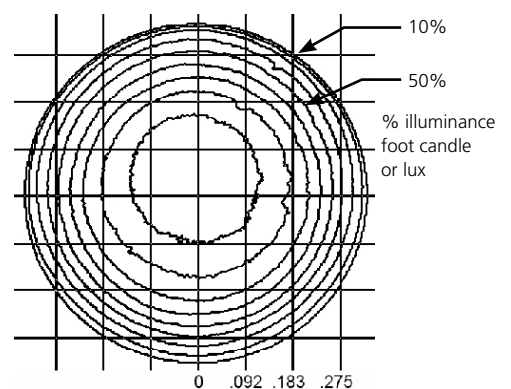
| Throw Distance (d) | 10ft | 15ft | 20ft | 30ft | 62.6ft |
|--------------------|-------|--------|--------|--------|--------|
| | 3.0m | 4.6m | 6.1m | 9.1m | 19.1m |
| Field Diameter | 6.7ft | 10.0ft | 13.3ft | 20.0ft | - |
| | 2.0m | 3.0m | 4.1m | 6.1m | - |
| Illuminance (fc) | 39 | 17 | 10 | 4 | 1 |
| Illuminance (lux) | 421 | 187 | 105 | 47 | 10.76 |

For field diameter at any distance, multiply distance by 0.665
For beam diameter at any distance, multiply by 0.570

Candela Plot



Iso-Illuminance Diagram (Flat Surface Distribution)

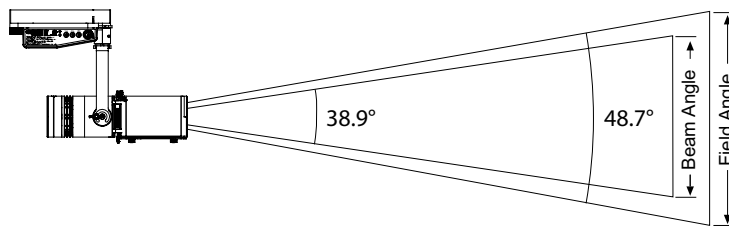


PHOTOMETRY

Wide Focus

| Mode | Focus | Candela | Field Lumens | Beam Lumens | Power Consumption | Efficacy (lpw) |
|----------------|-------|---------|--------------|-------------|-------------------|----------------|
| 3000K / 90 CRI | Wide | 2,184 | 682 | 511 | 20 | 34.1 |
| 3000K / 80 CRI | Wide | 2,413 | 786 | 596 | 20 | 39.3 |
| 4000K / 80 CRI | Wide | 2,797 | 923 | 691 | 20 | 46.2 |
| 5000K / 80 CRI | Wide | 2,753 | 904 | 678 | 20 | 45.2 |

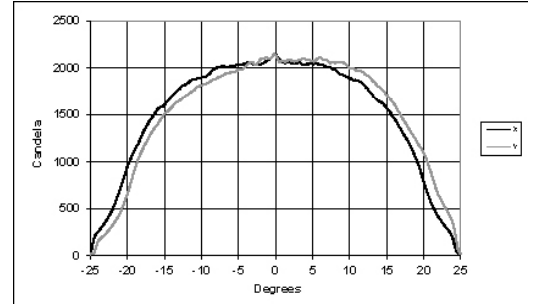
Metric conversions: For meters, multiply feet by 0.3048
 For lux, multiply footcandles by 10.76



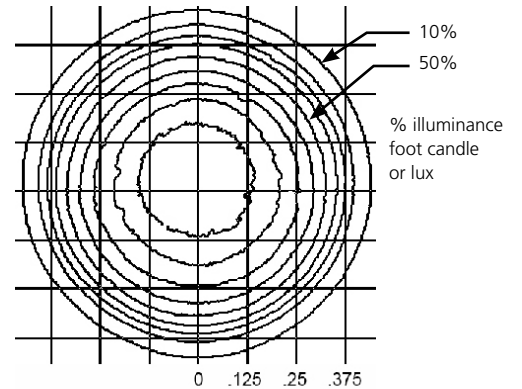
| Throw Distance (d) | 10ft | 15ft | 20ft | 30ft | 49.1ft |
|--------------------|-------|--------|--------|--------|--------|
| | 3.0m | 4.6m | 6.1m | 9.1m | 15.0m |
| Field Diameter | 9.1ft | 13.6ft | 18.1ft | 27.2ft | - |
| | 2.8m | 4.1m | 5.5m | 8.3m | - |
| Illuminance (fc) | 24 | 11 | 6 | 3 | 1 |
| Illuminance (lux) | 260 | 115 | 65 | 29 | 10.76 |

For field diameter at any distance, multiply distance by 0.905
 For beam diameter at any distance, multiply by 0.706

Candela Plot



Iso-Illuminance Diagram (Flat Surface Distribution)



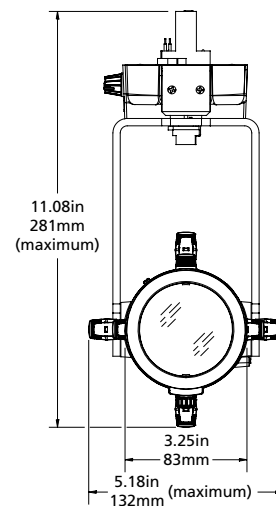
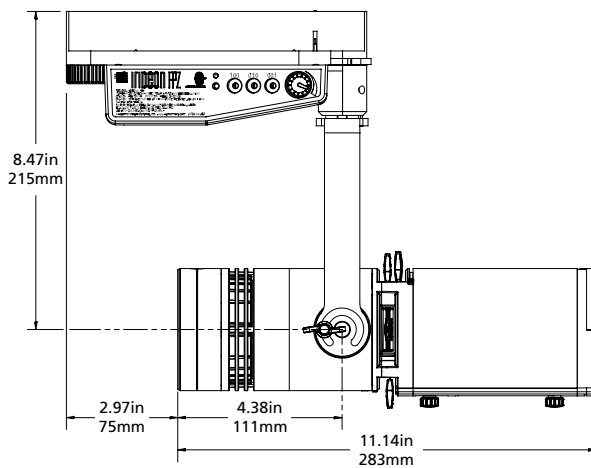
PHYSICAL

FPZ Dimensions

| | HEIGHT | | WIDTH | | DEPTH | |
|-------------|--------|-----|-------|-----|-------|-----|
| | in | mm | in | mm | in | mm |
| Track Mount | 11.08 | 281 | 5.18 | 132 | 14.11 | 358 |

FPZ Weights

| | WEIGHT | | SHIPPING WEIGHT | |
|-------------|--------|------|-----------------|------|
| | lbs. | kgs | lbs | kgs |
| Track Mount | 4.25 | 1.93 | 6.25 | 2.83 |



Corporate Headquarters • 3031 Pleasant View Rd, PO Box 620979, Middleton WI 53562 0979 USA • Tel +1 608 831 4116 • Fax +1 608 836 1736
London, UK • Unit 26-28, Victoria Industrial Estate, Victoria Road, London W3 6UU, UK • Tel +44 (0)20 8896 1000 • Fax +44 (0)20 8896 2000

Rome, IT • Via Pieve Torina, 48, 00156 Rome, Italy • Tel +39 (06) 32 111 683 • Fax +44 (0)20 8752 8486

Holzkirchen, DE • Ohmstrasse 3, 83607 Holzkirchen, Germany • Tel +49 (80 24) 47 00-0 • Fax +49 (80 24) 47 00-3 00

Hong Kong • Room 1801, 18/F, Tower 1 Phase 1, Enterprise Square, 9 Sheung Yuet Road, Kowloon Bay, Kowloon, Hong Kong • Tel +852 2799 1220 • Fax +852 2799 9325

Web • www.etconnect.com • Copyright©2016 ETC. All Rights Reserved. All product information and specifications subject to change. 7191L1001 Rev. A USA 03/2016

U.S. and international patents pending.