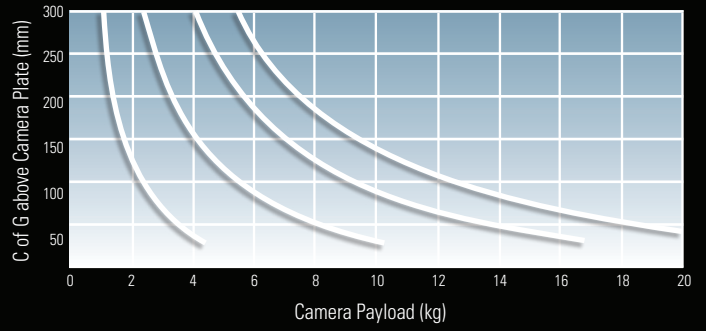


Compass 20 Fluid Head

The Compass 20 fluid head with 2-12kg payload range enables a large choice of cameras and camera configurations to be used. From HDV/ DVCAM to XDCAM and P2HD cameras the Compass 20 fluid head is one of the most versatile pan/tilt heads available. The Compass 20 incorporates the best pan and tilt fluid drag range in its class combined with a selectable counterbalance system. A quick release camera mounting system utilising the Euro mini camera plates allows it to integrate easily into existing camera support inventories.

Counterbalance Performance



Product Features



Replaceable tilt end rosette

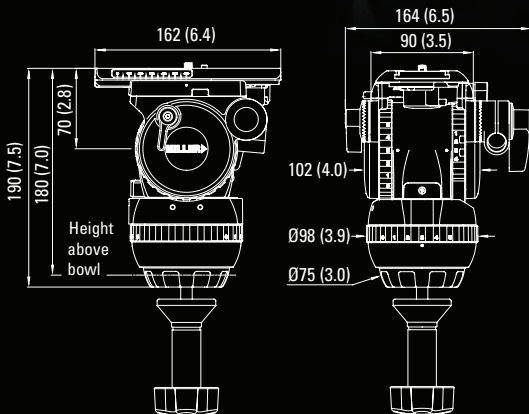
Quick release, 60mm sliding camera platform with mini Euro plate mounting

Selectable counterbalance system for payloads between 2-12kg

Superior pan/tilt locks utilising disc brakes

Readily accessible controls and illuminated bubble level

Five selectable positions of high performance drag plus a zero position



Product Specifications

Product Cat#	1036
Product Name:	Compass 20 Fluid Head
Weight:	2.7kg (5.95 lb)
Payload Range:	2-12kgs (4-26 lb)
Pan Drag:	5 selectable fluid drag positions + zero
Pan Range:	360 degrees
Pan Lock:	Calliper disc brake system
Tilt Drag:	5 selectable fluid drag positions + zero
Tilt Angle:	+90/-75 degrees
Tilt Lock:	Caliper disc brake system
Counterbalance:	4 selectable positions
Camera Platform:	Sliding Camera Platform with quick release Mini Euro Plate with 1/4" & pin and 1/4" and 3/8" screws
Sliding Range:	60mm
Height Above Bowl:	180 mm
Mounting Base:	75mm Ball Levelling
Illumination:	Bubble level
Temperature Range:	-40°C to +65°C
Pan Handle:	Fixed length

#1840

Components:	
Compass 20 Fluid Head	(1036)
2 Stage 75mm Alloy Tripod	(420)
Ground Spreader	(411)
Pan Handle with Handle Carrier	(679)
Tripod Shoulder Strap	(554)
Softcase	(876)

Specifications:	
Weight*:	8.0 kg (17.6 lb)
Payload range:	2-12 kg (4.4-26.5 lb)
Transport length:	870 mm (34.3 in)
Height range:	570-1740 mm (22.4-68.5 in)



#1841

Components:	
Compass 20 Fluid Head	(1036)
2 Stage 75mm Alloy Tripod	(420)
Above Ground Spreader	(508)
ENG/EFP Tripod Rubber Feet	(550)
Pan Handle with Handle Carrier	(679)
Tripod Shoulder Strap	(554)
Softcase	(876)

Specifications:	
Weight*:	8.0 kg (17.6 lb)
Payload range:	2-12 kg (4.4-26.5 lb)
Transport length:	870 mm (34.3 in)
Height range:	570-1740 mm (22.4-68.5 in)



#1844

Components:	
Compass 20 Fluid Head	(1036)
Solo DV 2 Stage Alloy Tripod	(1630)
Pan Handle with Handle Carrier	(679)
Solo Shoulder Strap	(1520)
Softcase	(876)

Specifications:	
Weight*:	7.5 kg (16.5 lb)
Payload range:	2-12 kg (4.4-26.5 lb)
Transport length:	880 mm (34.6 in)
Height range:	414-1805 mm (16.3-71.1 in)



#1846

Components:	
Compass 20 Fluid Head	(1036)
Solo DV 2 Stage Carbon Fibre Tripod	(1501)
Pan Handle with Handle Carrier	(679)
Solo Shoulder Strap	(1520)
Softcase	(876)

Specifications:	
Weight*:	6.9 kg (15.2 lb)
Payload range:	2-12 kg (4.4-26.5 lb)
Transport length:	874 mm (34.4 in)
Height range:	414-1794 mm (16.3-70.6 in)



#2030

Components:	
Compass 20 Fluid Head	(1036)
Solo DV 3 Stage Carbon Fibre Tripod	(2001)
Pan Handle with Handle Carrier	(679)
Solo Shoulder Strap	(1520)
Softcase	(876)

Specifications:	
Weight*:	7.4 kg (16.3 lb)
Payload range:	2-12 kg (4.4-26.5 lb)
Transport length:	838 mm (33.0 in)
Height range:	400-2050 mm (15.7-80.7 in)



*Weight includes softcase