

Model No.

LVR22-1421

- **Panel space: 22U**
- **Slim width: 19.21"**
- **Adjustable depth (set during assembly): 14-21"**

The VARI-RACK™ is an innovative design that allows a custom fit on-the-fly with a top/base that can be set to any depth between 14" and 21" and corner post rails with printed marks to guide field cuts if height needs trimming. Made to fit where a standard rack won't, the Vari-Rack is great for use in cabinets, closets or credenzas. Ships unassembled.

Construction & Features

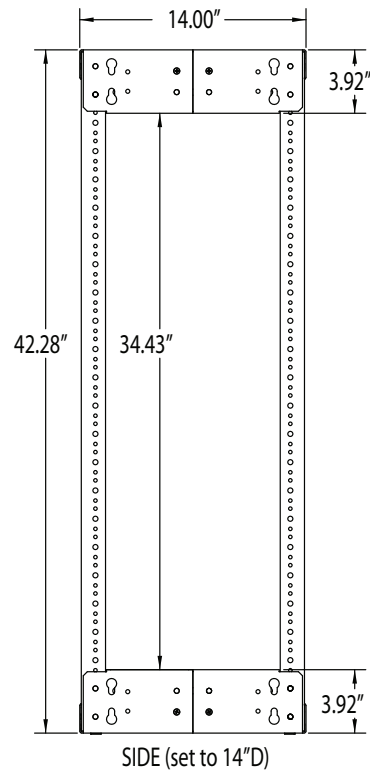
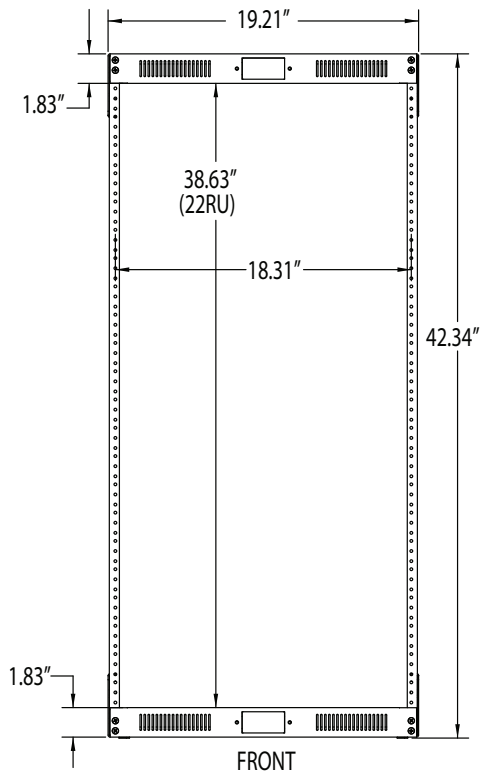
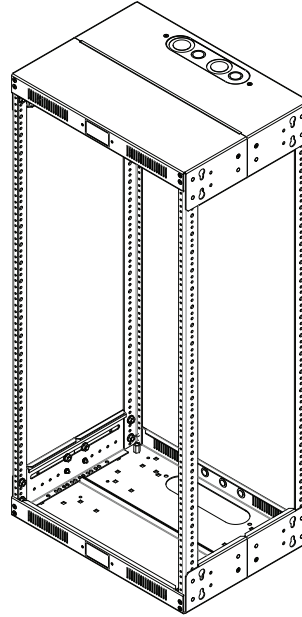
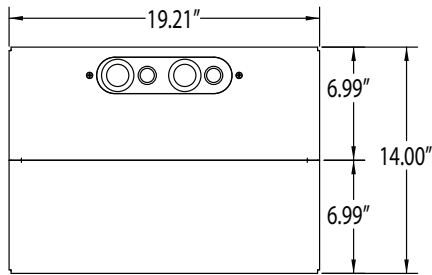
- **Frame:** 14-gauge steel top and base; 11-gauge steel corner post rails. Top and base ship assembled except for depth selection.
- **Front:** Vents and Decora® style cutouts with covers for optional low voltage devices.
- **Rear:** Vents and holes for cable/wire management.
- **Top:** Removable knockout panel with 0.5" knockout for wireless antennas and .75-.5" and 1.5-1" combination knockouts for conduit.
- **Base:** Obround opening.
- **Rails:** Corner post rails, tapped 10-32, feature printed rack unit scale and trim marks to aid field adjustments.
- **Load Capacity:** 400 lbs.
- **EIA/TIA/RoHS:** Compliant
- **Hardware:** 5/16 in. hex nuts, 10-32 hex nuts, and 10-32 x 1/2 inch flat-head screws.
- **Finish:** Smooth black powder epoxy.
- **Origin:** Made in the U.S.A. with certified U.S. steel



The VARI-RACK's top and base ship pre-assembled except for the depth which is selected during assembly.



Technical Drawings



A&E Specifications

The unassembled (knockdown) rack shall be Lowell Model No. LVR22-1421, which shall provide 22 rack units of panel space and measure 19.21"W by 42.34"H and have a depth that can be set anywhere between 14" to 21" during assembly. Base and top components shall ship pre-assembled except for the depth selection. Corner post mounting rails shall be 11-gauge steel tapped 10-32 with a printed rack unit scale. Rack finish shall be smooth black powder epoxy paint.

Options

- **Front Door:** Solid steel or smoked plexiglass door sits 1.38" from frame and mounts left or right without drilling. Includes key lock.
- **Rear Access Cover:** Solid steel panel opens from top. Includes key lock.
- **Swivel Casters:** Available as set of 4 swivel or 2 swivel/2 swivel-locking casters. Choose standard casters or fine floor casters that won't mar wood, marble or tile.
- **Protective Runner Kit:** Set of 4 plastic glides protects wood when rack is placed in credenza or custom millwork.

Model No. Summary

<i>Model No.</i>	<i>Description</i>	<i>Panel Space</i>	<i>Overall Height</i>	<i>Inside Height (side)</i>	<i>Overall Width</i>	<i>Overall Depth</i>
LVR22-1421	Slim rack, variable depth	22U	42.34"	34.43	19.21"	14" to 21"
LXR-FD-22	Solid front door					
LXR-FD-22P	Smoked plexiglass front door					
LXR-RAC-22	Rear access cover					
LXR-C3S	Set of 4 swivel casters					
LXR-C3SL	Set of 4 swivel casters (2 locking)					
LXR-C3SF	Set of 4 fine floor swivel casters					
LXR-C3SFL	Set of 4 fine floor swivel casters (2 locking)					
PRK	Protective runner kit					