



Delvcam DELV-SDI-7 User Guide



IMPORTANT SAFETY INSTRUCTIONS:

- Please read manual before using this product.
- Please keep manual for future reference.
- Please read the cautions to prevent possible danger and loss of property
- Please enjoy the benefits of convenience, safety, and space-saving from this TFT LCD monitor in different ways.

FEATURES:

- This product employs integrate circuits, lower power consumption, and lower radiation emission. It has fashion designed appearance and good portability.
- HD-SDI、HDMI & YPbPr Input, to connect with Full HD Video Camera.
- LED backlight display, support 1920×1080 HD resolution.
- High contrast & dizzy-proof monitor with flexible folding sun shade cover, to see clearly under sunshine.
- DC 6.5-24V wide range voltage.
- Functions: **Peaking Filter, False Colors, Exposure, Histogram**, 5D-II Camera, Center Marker, Pixel-to-Pixel, Color Bar, Screen Marker, Aspect Ratio, Check Field, Underscan/Overscan, Freeze Input, H/V Delay and 4x Zoom, Image Flip, Picture-in-Picture.

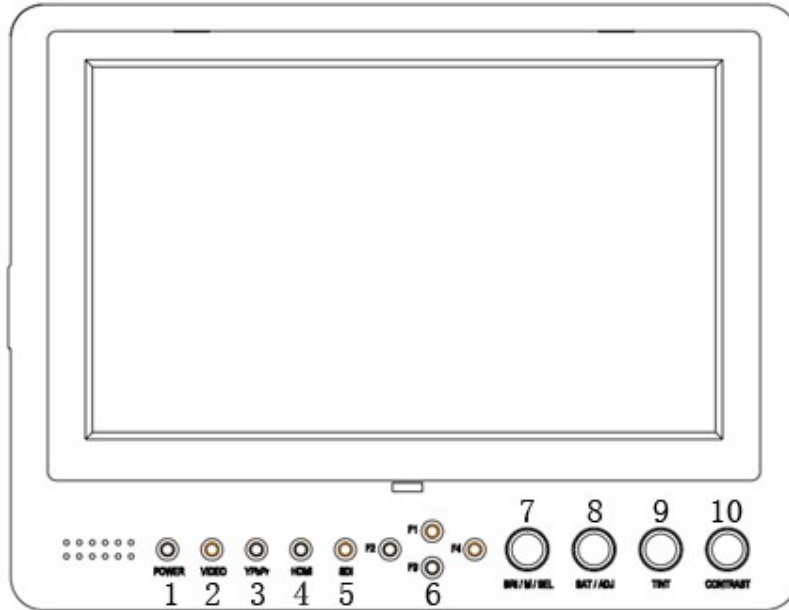
CAUTIONS :

1. Please do not place the display screen towards the ground.
2. Please avoid heavy impact or drop onto the ground.
3. Please do NOT use chemical solutions to clean this product. Please wipe with a clean soft cloth to maintain the brightness of the surface.
4. Please do not block any vent hole.
5. Please follow the instructions and trouble-shootings to adjust the product. Other improper adjustment may result in damage. Any further adjustment must be performed or conducted by a qualified technician.
6. Please unplug the power and remove the battery if long-term no-use, or thunder weather.

Contents

PRODUCT DESCRIPTION	-----
INSTALLATION OF SUNSHADECOVER AND BATTERY PLATE	-----
DV BATTERY MOUNT PLATE	-----
SETTING MENU	-----
ACCESSORIES	-----
PARAMETER	-----
TROUBLESHOOTING	-----

PRODUCT DESCRIPTION



1. POWER : ON/OFF (Light turns to red when power on.)
2. VIDEO: Indicator lights up when signal switch to video state.
3. YPbPr: Indicator lights up when signal switch to YPbPr state.
4. HDMI: Indicator lights up when signal switch to HDMI state.
5. SDI: Indicator lights up when signal switch to SDI state (optional).
6. F1、F2、F3、F4 : User-definable buttons.

Default functions:

F1 Peaking

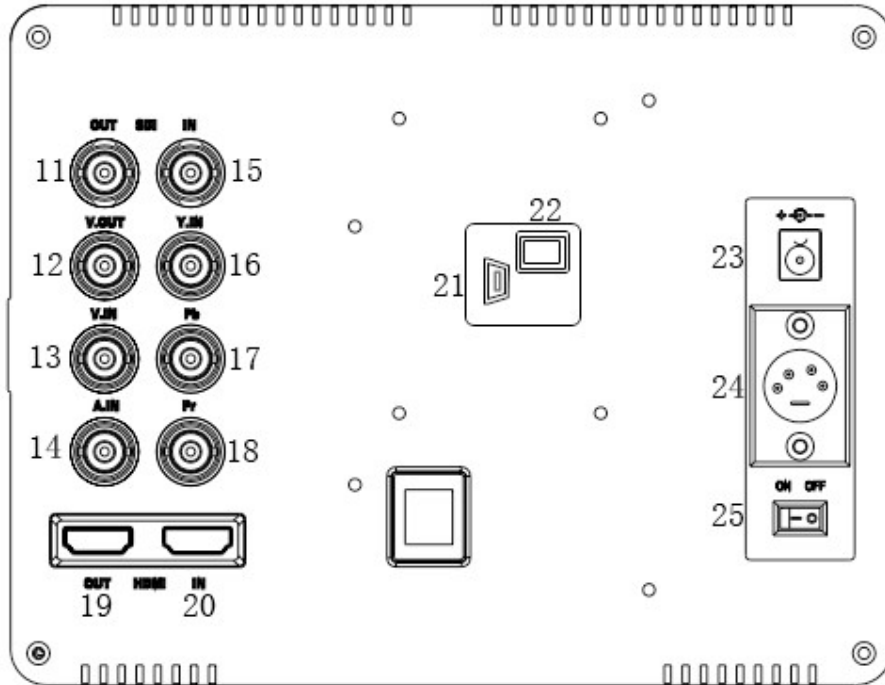
F3 Exposure

F2 False Color


F4 Histogram

(function customized to meet your needs)

7. Knob BRI/M/SEL : Press the knob to access the menu function, pressing the knob in the menu to return to the previous page or exit the menu. Rotate knob to select an option.
Default as Brightness function.
8. Knob SAT/ADJ : Press the knob to select main MENU options; rotate knob to confirm the selection and adjust parameter values.
Default as Saturation function.
9. Knob TINT : Default as Tint function.
10. Knob CONTRAST: Default as Contrast function.



- 11. SDI signal output. (Optional)
- 12. Video signal output.
- 13. Video signal input.
- 14. Audio signal input.
- 15. SDI signal input. (Optional)
- 16. Y signal input
- 17. Pb signal input
- 18. Pr signal input
- 19. HDMI (High Definition Multimedia Interface) signal output.
- 20. HDMI (High Definition Multimedia Interface) signal input.
- 21. Mini USB input. (Only for program upgrades, do NOT use if non-professionals)
- 22. Power cable interface (connecting to the battery plate).
- 23. DC power input.
- 24. 4-pin XLR DC power input.

	Pin number	Signal
1	①	GND
2 3	②③
4	④	+12V

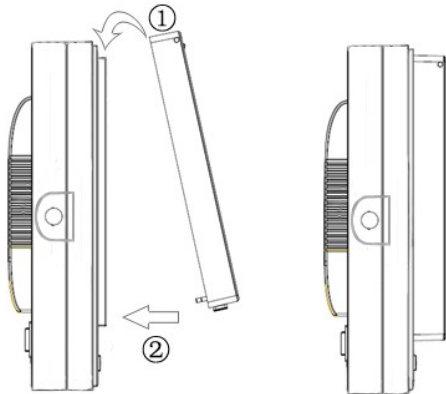
- 25. Battery power on/off switch.

INSTALLATION OF SUNSHADE COVER AND BATTERY PLATE

Installation of sunshade cover :

Installation steps

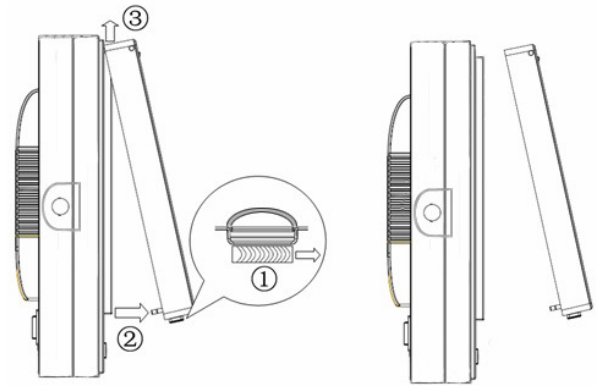
Installation completed



Disassembly of sunshade cover :

Disassembly steps

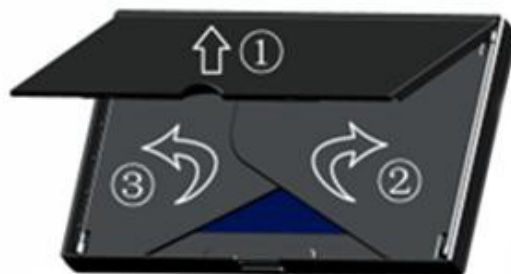
Disassembly completed



Steps of sunshade cover on / off:

* Please follow the instructions steps, or may damage the cover.

Open Step:



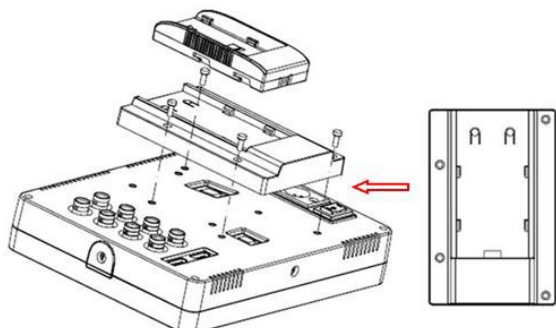
Closed steps:



* Do not press the edge in the under of the cover, otherwise it will result in open failure.

DV BATTERY MOUNT PLATE:

Standard mounts process



Following three types of battery plates are suitable for this device, model F970&QM91D are standard accessories, model DU21 is for optional.

DV Battery Mount Plate:



Model DU21 for battery of Panasonic DV:

NV-GS/PV-GS/DZ-MV/GS/H28/H258/H288GK series, comply with Panasonic battery DU06/VBD140/SANYO DZhs301sw/Hitachi DZ-HS303SW/BZ-BP14S/DZ3200/BP07W.



Model QM91D for battery of SONY DV:

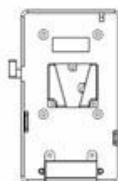
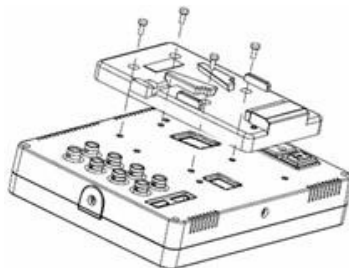
DSCR1F/S/MVCCD/E/HC15E/HC1E/AE1u/DCRTRV828/E/CCD-TRV116/DCR-DVD/PS105K/300K/10P/1E series.



Model F970 for battery of SONY DV:

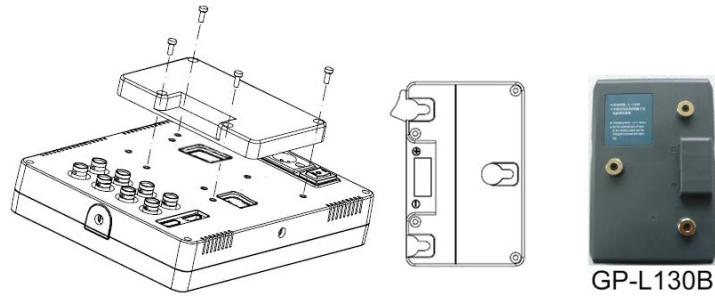
DCR-TRV series, DCR-TRV E series, VX2100E PD P series, GV-A700, GV-D800 FD/CCD-SC/TR3/FX1E/HVR-AIC, HDR-FX1000E, HVR-Z1C, HVR-V1C, FX7E F330.

V-mount battery plate (optional): Please refer to GP-L130AB type battery specifications.



GP-L130AB

Anton Bauer mount battery plate (optional): Please refer to GP-L130B type battery specifications.



SETTING MENU

Before setting the functions, please make sure the device is connected correctly.

When power on, press BRI/M/SEL knob on the device, function menus will pop-up on the screen. After confirm the option value, then press BRI/M/SEL knob to return to the previous, and press the BRI/M/SEL knob again to exit the menu settings.

BRI / M / SEL knob to select an option.

SAT / ADJ knob to select the main menu, adjusting option values and confirm the selection.



ITEMS	OPTIONS	
Color Temp	6500K/7500 K/9300 K/User	
	Red	Note: Only available under "User" mode to meet the color value you need.
	Green	
	Blue	
Check Field	OFF, MONO, Red, Green and Blue	
Aspect Ratio	Full Screen,4:3 and 16:9	
Pixel-to-Pixel	ON/OFF	
Camera	480P (SDII Mode)/ 1080I (SDIII Mode)	
H/V delay	OFF,H&V Delay, V Delay and H Delay	
Underscan	ON/OFF	

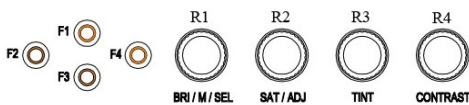


ITEMS	OPTIONS
Center Marker	ON/OFF
Screen Markers	OFF, 95%,93%,90%,88%,85% and80%



ITEMS	OPTIONS
Language	English /Chinese
PIP	Small, Medium, Large, PBP, POP In small, medium and large interface can adjust the source, position, and swap; In PBP and POP interface can adjust the source and swap.
SDI	ON/ OFF
Input Format OSD	5s, 10s, 15s
LOGO	ON/ OFF
Freeze Input	ON/ OFF
Image Flip	ON/ OFF
Peaking	Mono/ Color
Assistant Func.	Manual/Auto
Manufacturer Default	OK/Cancel(Reverse the SAT / ADJ knob to select "OK")
ISP	For program upgrades (Please reboot your computer if press accidentally!)

Function of buttons and knobs can be customized by users' needs.



Functions of F1-F4 buttons can also be customized:

- Aspect Ratio -Check Field -Freeze Input -Center Marker
- Underscan - H/V delay - Color Bar - Screen Marker
- Zoom - Camera - Pixel-to-Pixel - PIP
- Peaking - False Color - Exposure - Histogram.

Functions of R1-R4 buttons can also be customized:

- Contrast - Brightness - Saturation
- Tint - Volume - Sharpness

Note: Off, camera, X2, X4 and X8 options can be set when zoom function customized as shortcut key.

ACCESSORIES:

Standard accessories:



- | | |
|-------------------------------------|---------|
| 1. Flexible Folding Sun Shade Cover | 1 piece |
| 2. Battery Plate QM91D | 1 piece |
| Battery Plate F-970 | 1 piece |
| 3. Manual | 1 copy |
| 4. HDMI Type A-C | 1 piece |
| 5. DC Adapter | 1 piece |

Optional accessories



- | | |
|------------------------------------|---------|
| 1. Anton Bauer Mount Battery Plate | 1 piece |
| 2. V-mount Battery Plate | 1 piece |
| 3. Shoe Mount (for camera only) | 1 piece |
| 4. Li-ion Battery | 1 piece |
| 5. Battery Plate: DU21 | 1 piece |

PARAMETERS:

Panel Size	7" TFT LCD
Resolution	1024×600, support 1920×1080
Contrast	800:1
Viewing Angle	160°/150°(H/V)
Input Voltage	DC12V (XLR DC Connection)
Input Signal	HD-SDI (optional), HDMI , YPbPr , AV
Current	650mA
Power Consumption	≤10W
Size:(LWD)	194.5×150×38.5mm/48.5mm(with cover closed) /158.5mm (with cover open)
Weight	480g / 640g (with cover)

TROUBLE SHOOTING

1. Only black-and-white display:

Check whether the color saturation is properly setup.

2. Power on but no pictures:

Check whether the cables of Video, HDMI, YPbPr and SDI are correctly connected. Please use the standard power adapter coming with the product package. Improper power input may cause the device.


3. Wrong or abnormal colors:

Check whether the cables are correctly and properly connected. Broken or loose pins of the cables may cause a bad connection.

4. When on the picture shows size error: press “MENU→

→Underscan” to zoom in/out pictures automatically when receiving HDMI (High-Definition Multimedia Interface) signals.

5. Other problems:

Please press “MENU” button and choose “→Manufacturer Default →OK”

6. According to the ISP, the machine can not function properly :

ISP for program upgrades, non-professionals do not use. Please reboot your computer if press accidentally!

*It is normal to see some bright lines appear on the screen when turn off the device.

Note: due to constant effort to improve products and product features, specifications may change without notice.

