

# OPERATING MANUAL

P O W E R

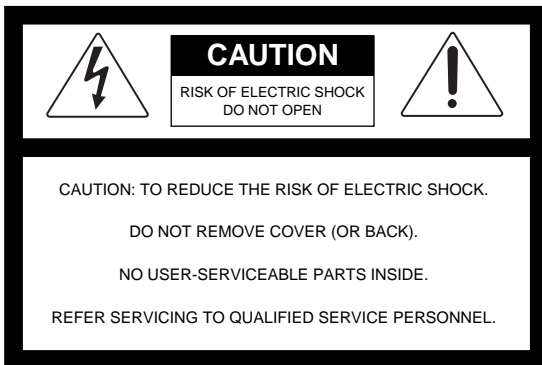
AMPLIFIER

**PA-920/935**

**interM**

## UNPACKING AND INSTALLATION

Although it is neither complicated to install nor difficult to operate your amplifier, a few minutes of your time is required to read this manual for properly wired installation and becoming familiar with its many features and how to use them. Please take a great care in unpacking your set and do not discard the carton and other packing materials. They may be needed when moving your set and are required if it ever becomes necessary to return your set for services. Never place the unit near radiator, in front of heating vents, to direct sun light, in excessive humid or dusty location to avoid early damage and for your years of quality use. Connect your complementary components as illustrated in the following page.



### WARNING

To prevent fire or shock hazard, do not expose the unit to rain or moisture.



This symbol is intended to alert the user to the presence of uninsulated "dangerous voltage" within the product's enclosure that may be of sufficient magnitude to constitute a risk of electric shock to persons.



This symbol is intended to alert the user to the presence of important operation and maintenance (servicing) instructions in the literature accompanying the appliance.

Caution: To prevent electric shock do not use this (polarized) plug with an extension cord, receptacle or other outlet unless the blades can be fully inserted to prevent blade exposure.

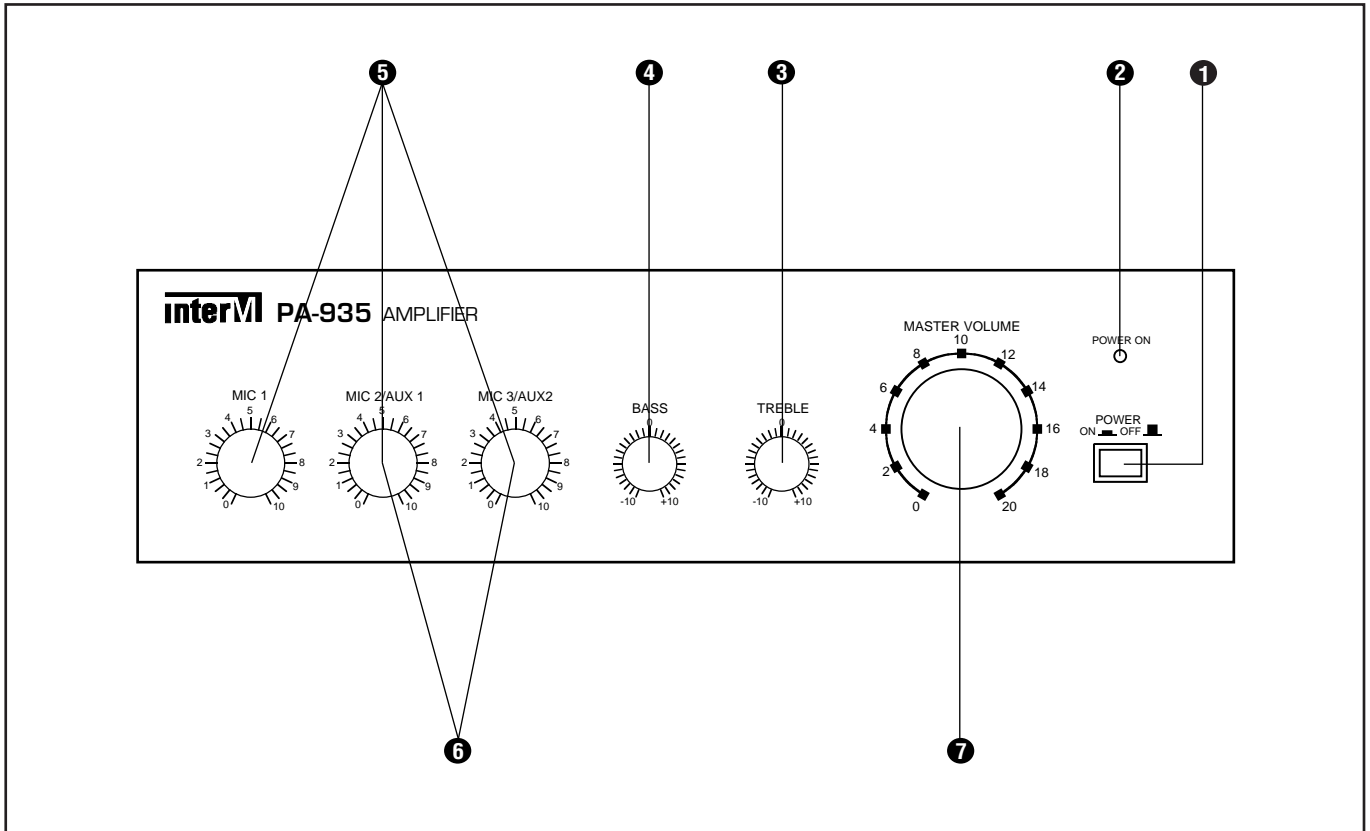
Attention: Pour prévenir les chocs électriques ne pas utiliser cette fiche polarisée avec un prolongateur, une prise de courant ou une autre sortie de courant, sauf si les lames peuvent être insérées à fond sans en laisser aucune partie à découvert.

## FEATURES

- **VERSATILE AND CONVENIENT**

3 channels of input signals from MIC1, MIC2/AUX1 and MIC3/AUX2 are provided, and Bass and Treble are incorporated for versatile and convenient use. MIC, AUX input have PL55 phone jack and Telephone IN input have screw terminal.

## FRONT PANEL CONTROLS



### 1. POWER SWITCH

Pressing this switch to ON will make the power indication LED ON and supply the power to this unit.

### 2. POWER LED

Pressing power switch to ON will make the power indication LED ON.

### 3. TREBLE

This control is used for modifying the high frequency sound.

### 4. BASS

This control is used for modifying the low frequency sound.

### 5. MIC VOLUME

You can adjust the volume level of Mic 1, Mic 2, and Mic 3.

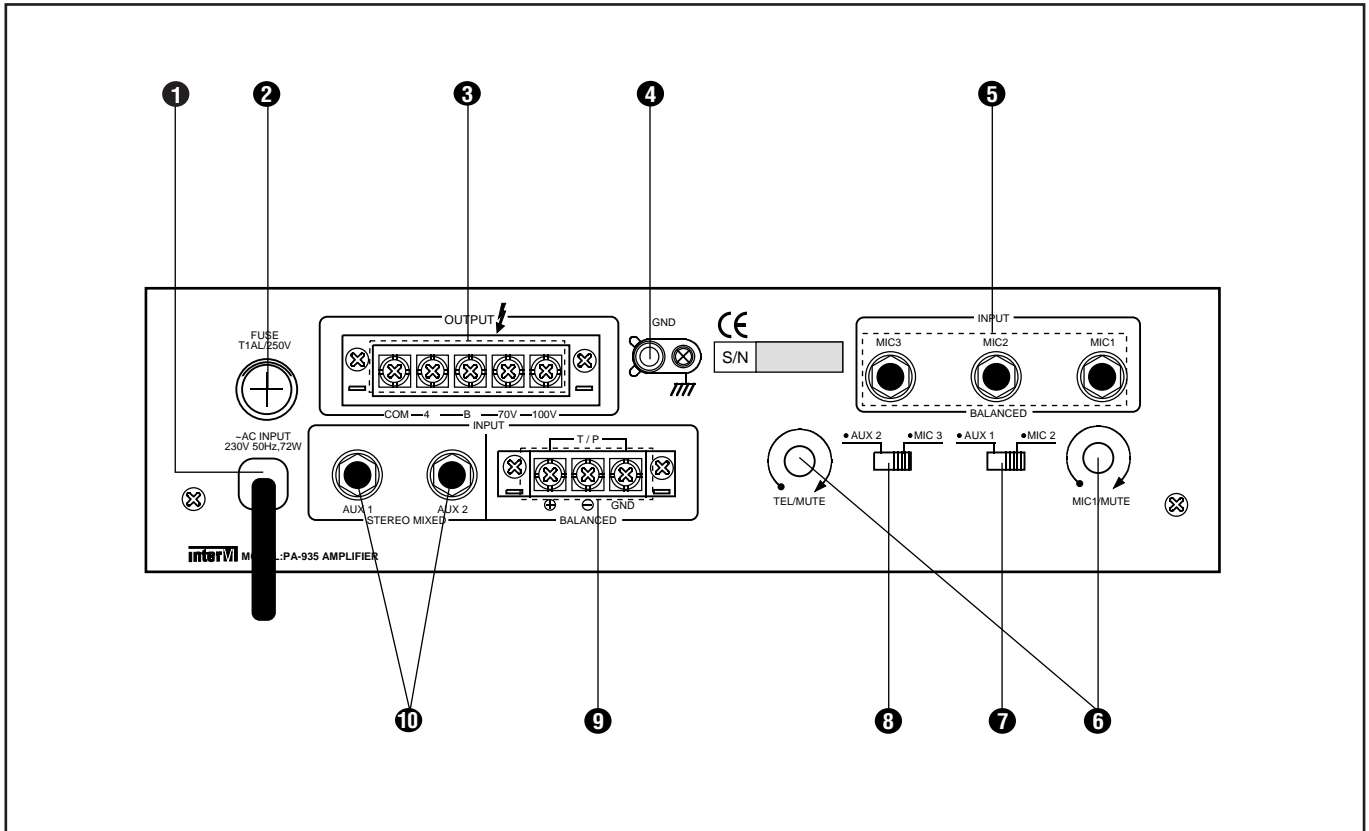
### 6. AUX VOLUME

You can adjust the volume level of Aux 1 and Aux 2.

### 7. MASTER VOLUME

This control is used for adjusting the volume of finally mixed sound.

## REAR PANEL CONTROLS



### 1. AC CORD

Plug this AC input cord into AC outlet.

### 2. FUSE HOLDER (AC)

This fuse holder contain AC fuse, replace only with same type fuse when it is blown out. If it continuously blow, stop replacing fuse and refer servicing to qualified personnel.

Voltage	AC 220V/240V
PA-920 Fuse Rating	0.5A/250V
PA-935 Fuse Rating	1A/250V

### 3. SPEAKER OUTPUT TERMINAL

This terminal is for speaker wire connection. You can select one of 4 ohms, 8 ohms, 70 volts and 100 volts. Be sure not to make the total impedance less than rated impedance.

### 4. GND TERMINAL

This is ground terminal to be connected with chassis of the turntable etc, to reduce hum to minimum. To further minimize hum, it may be necessary to connect this terminal with a wire to the nearest water pipe which goes directly to real ground.

### 5. MIC 1, 2, 3 INPUT (PHONE JACK)

These phone jacks are for the Mic 1 and Mic 2 input. Input sensitivity and impedance in PHONE JACK 2mV/600Ω.

**6. MUTE CONTROL**

When the other signal is muted by Mic 1 and Telephone paging, this control is used for adjusting the muting level.

**7. MIC 2/AUX 1 SELECTOR SWITCH**

This switch is used to select MIC 2 or AUX 1.

**8. MIC 3/AUX 2 SELECTOR SWITCH**

This switch is used to select MIC 3 or AUX 2.

**9. TELEPHONE IN TERMINAL**

These terminals are to be connected to telephone exchange system for paging.

NOTE: When there are paging signal through this terminals, the other input signals are muted.

**10. AUX INPUT (PHONE JACK)**

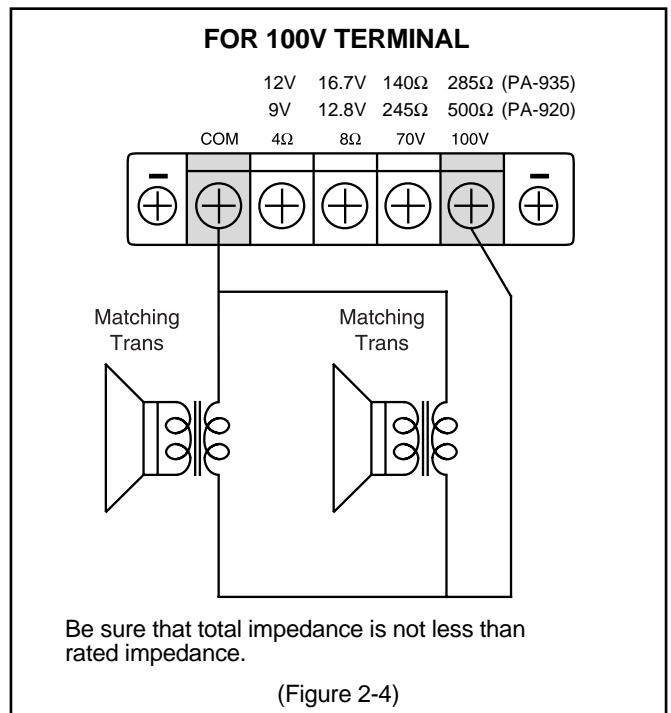
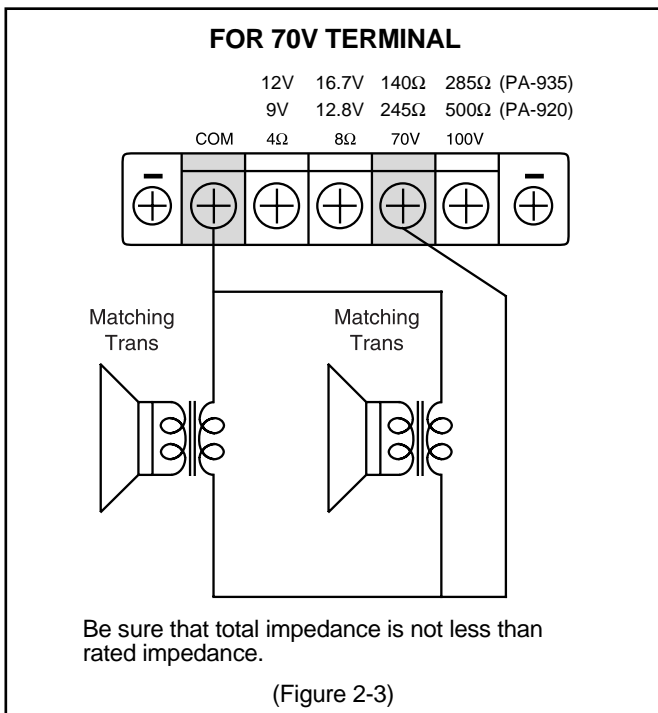
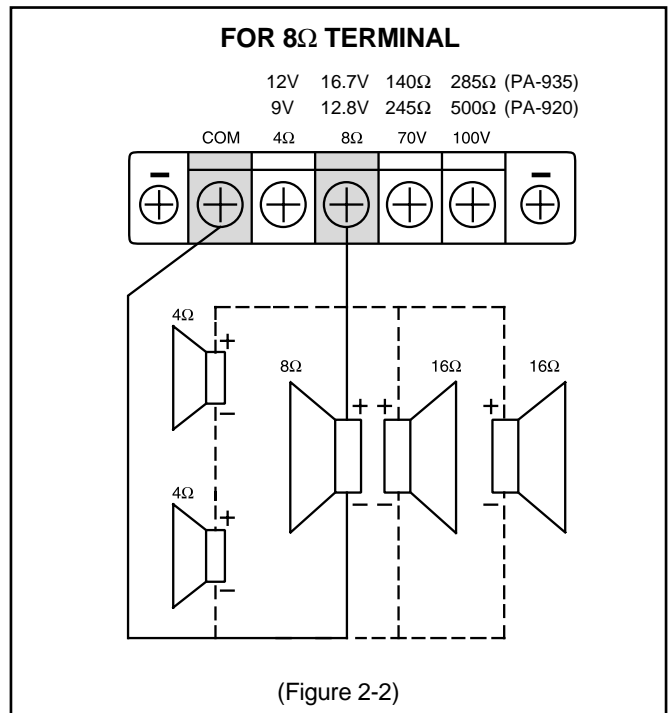
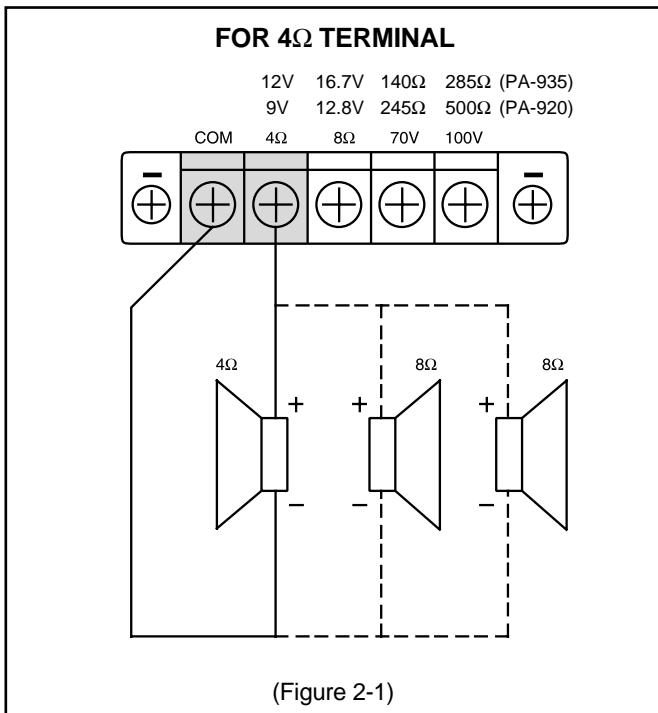
You can connect the sound source of tuner, deck, CD, video, etc to this input.

# INSTALLATION OF THE SPEAKERS

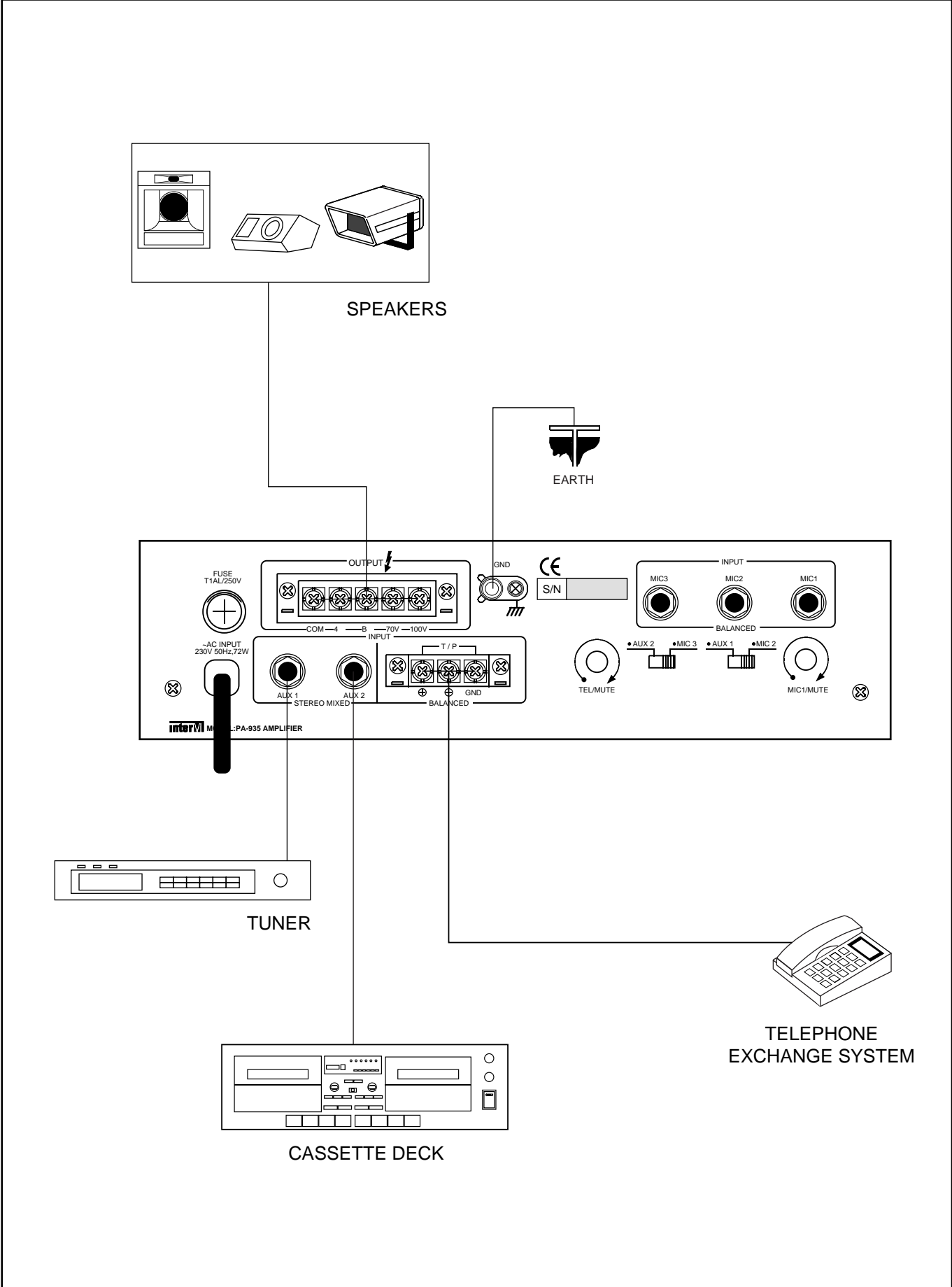
When you connect the speaker, remove the power cord from AC outlet. And use the suitable terminals connecting way as belows. Be sure that total impedance is not less than rated impedance.

**• AC VOLTAGE: 220V-240V ONLY**

VOLTAGE	PA-920	8.9V	12.65V	70V	100V
	PA-935	11.8V	16.73V	70V	100V
IMPEDANCE	PA-920	4 OHMS	8 OHMS	245 OHMS	500 OHMS
	PA-935	4 OHMS	8 OHMS	140 OHMS	285 OHMS

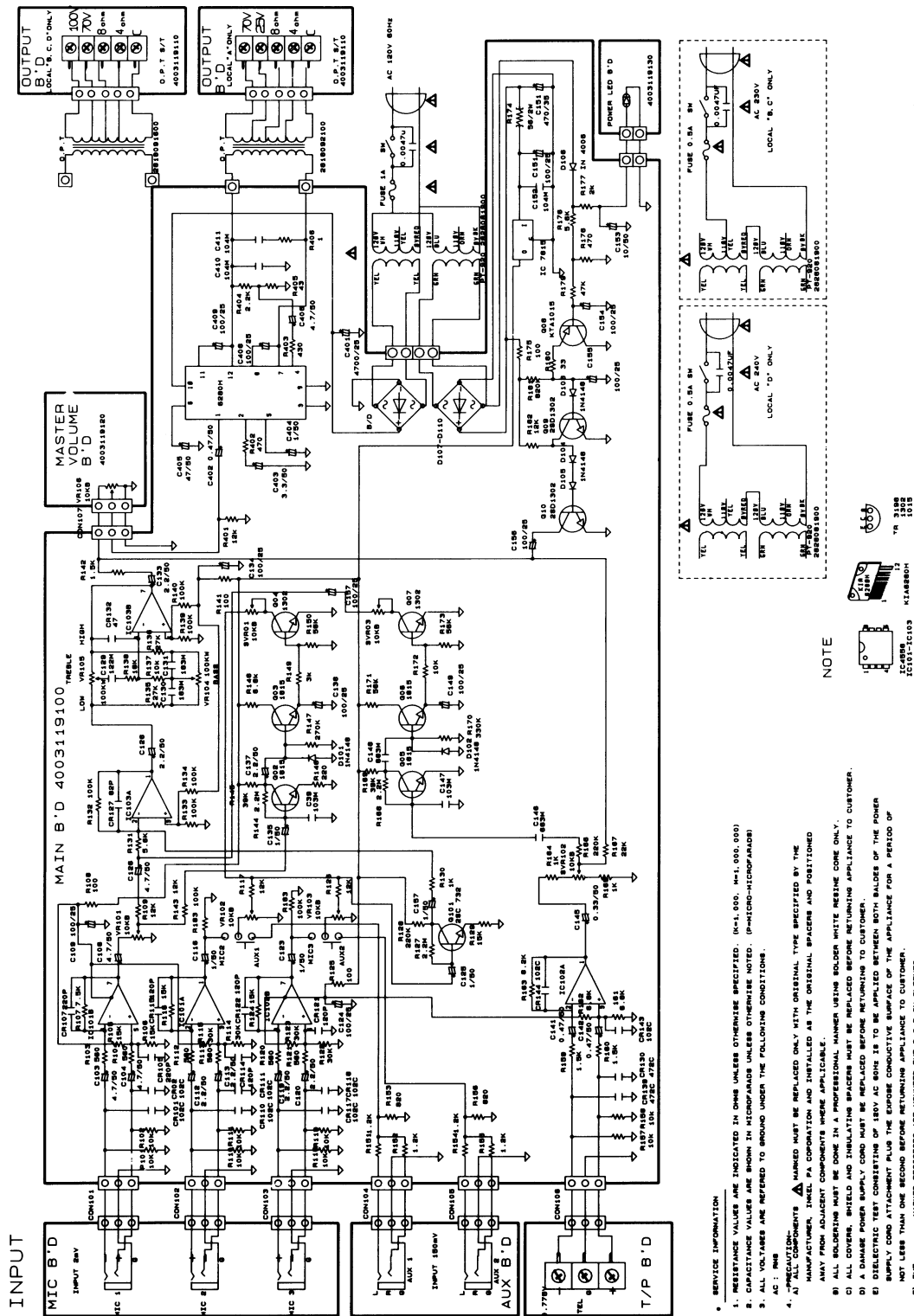


# CONNECTIONS



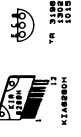


# SCHEMATIC DIAGRAM (PA-920)

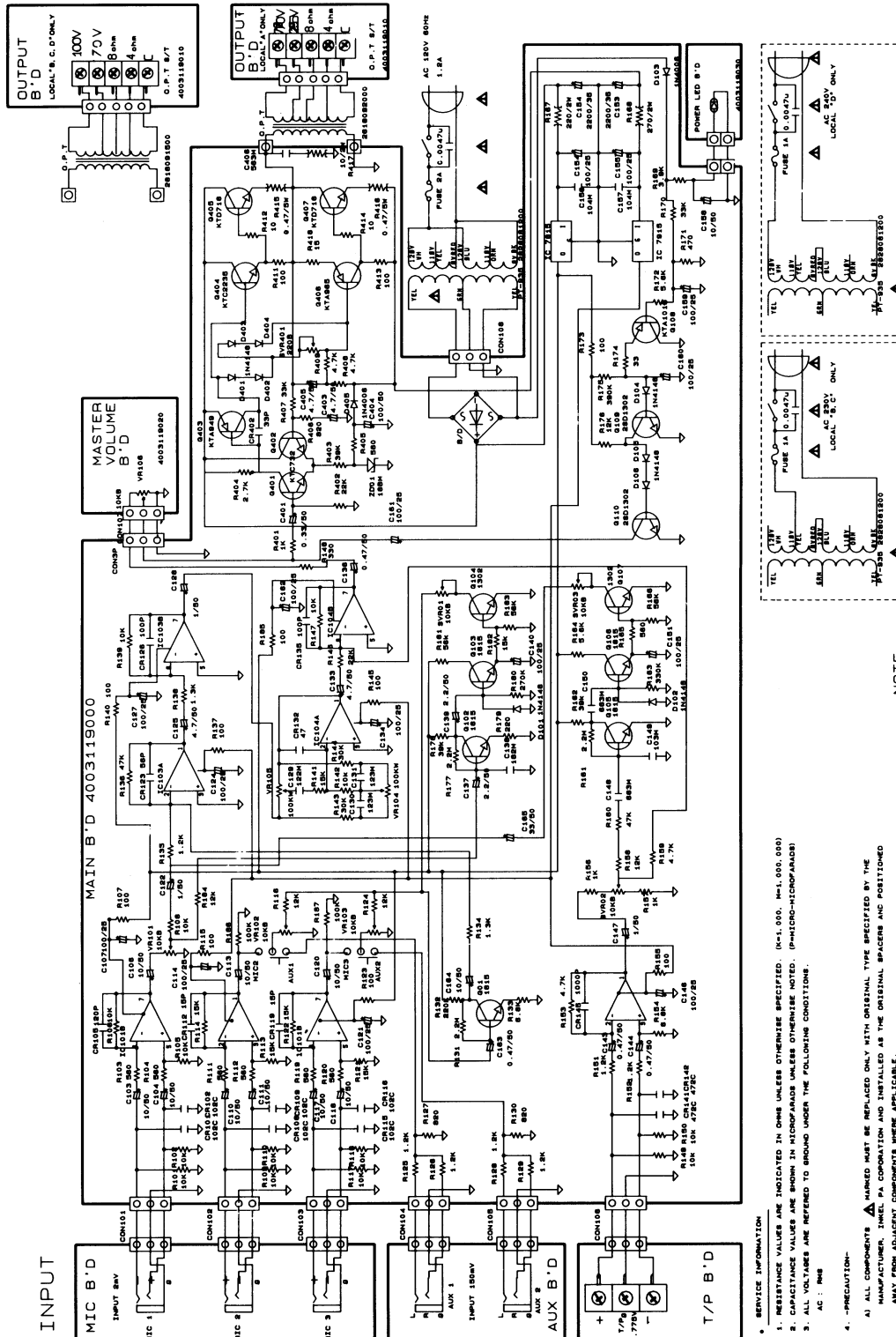


**NOTE**

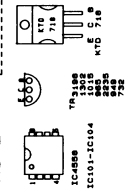
1. REFERENCE VALUES ARE INDICATED IN OHMS UNLESS OTHERWISE SPECIFIED. (K=1,000; M=1,000,000)
2. CAPACITANCE VALUES ARE SHOWN IN MICROFARADS UNLESS OTHERWISE NOTED. (P=PICTO=100-PICOFARADS)
3. ALL VOLTAGES ARE REFERRED TO GROUND UNDER THE FOLLOWING CONDITIONS.
  - A. -PRECAUTION-
  - B. AT ALL COMPONENTS
  - C. MANUFACTURER, INTEL PA CORPORATION AND INSTALLED AS THE ORIGINAL SPACERS AND POSITIONED AWAY FROM ADJACENT COMPONENTS WHERE APPLICABLE.
  - D. ALL SOLDERING MUST BE DONE IN A PROFESSIONAL MANNER USING SOLDER WHITE RESINE CORE ONLY.
  - E. A DAMAGE POWER SUPPLY CORD MUST BE REPLACED BEFORE RETURNING APPLIANCE TO CUSTOMER.
  - F. DIELECTRIC TEST CONSISTING OF 180V AC BONE IS TO BE APPLIED BETWEEN BOTH BALDES OF THE POWER SUPPLY CORD ATTACHMENT PLUS THE EXPOSED CONDUCTIVE SURFACE OF THE APPLIANCE FOR A PERIOD OF NOT LESS THAN ONE SECOND BEFORE RETURNING APPLIANCE TO CUSTOMER.
  - G. THE -MM- NAMED RESISTORS ARE MOUNTED THE P.T.B ON SLEEVES.



# SCHEMATIC DIAGRAM (PA-935)



**NOTE**



- SERVICE INFORMATION**
- RESISTANCE VALUES ARE INDICATED IN OHMS UNLESS OTHERWISE SPECIFIED. (K=1,000, M=1,000,000)
  - CAPACITANCE VALUES ARE SHOWN IN MICROFARADS UNLESS OTHERWISE NOTED. (P=PICTO-MICROFARADS)
  - ALL VOLTAGES ARE REFERRED TO GROUND UNDER THE FOLLOWING CONDITIONS:  
AC : RMS
- 4. -PRECAUTION-**
- ALL COMPONENTS  $\Delta$  MARKED MUST BE REPLACED ONLY WITH ORIGINAL TYPE SPECIFIED BY THE MANUFACTURER. TAKE PA CONNECTION AND INSTALLED AS THE ORIGINAL SPACERS AND POSITIONED AWAY FROM ADJACENT COMPONENTS WHERE APPLICABLE.
  - ALL SOLDERING MUST BE DONE IN A PROFESSIONAL MANNER USING SOLDER WHITE RESIN COME ONLY.
  - A DAMAGE POWER SUPPLY CORD MUST BE REPLACED BEFORE RETURNING APPLIANCE TO CUSTOMER.
  - DIELECTRIC TEST CONSISTING OF 150V AC 50HZ IS TO BE APPLIED BETWEEN BOTH BALDES OF THE POWER SUPPLY CORD ATTACHMENT PLUS THE EXPOSED CONDUCTIVE SURFACE OF THE APPLIANCE FOR A PERIOD OF NOT LESS THAN ONE SECOND BEFORE RETURNING APPLIANCE TO CUSTOMER.
  - THE  $\rightarrow$  MARKED RESISTORS ARE MOUNTED THE P.C.B ON SLEEVES.

## SPECIFICATIONS

### PA-920

#### ■ ELECTRICAL

- Rated Output Power (at THD: 10%).....20W (RMS)  
4Ω/8.9V, 8Ω/12.8V, 245Ω/70V, 500Ω/100V
- Frequency Response.....150Hz to 15KHz
- Total Harmonic Distortion.....Less than 0.5%
- Tone Control Effect.....±10dB
- Signal to Noise Ratio .....Better than 60dB
- Input Sensitivity/Impedance.....Mic Input 2mV/600Ω  
Aux Input 150mV/1KΩ  
Telephone Input 0.775V/600Ω

#### ■ GENERAL

- Power Source .....AC 220V–240V
- Weight .....3.5 Kg
- Dimensions .....290(W) × 76(H) × 196(D) mm

### PA-935

#### ■ ELECTRICAL

- Rated Output Power (at THD: 5%).....35W (RMS)  
4Ω/11.8V, 8Ω/16.7V, 140Ω/70V, 285Ω/100V
- Frequency Response.....150Hz to 15KHz
- Total Harmonic Distortion.....Less than 0.5%
- Tone Control Effect.....±10dB
- Signal to Noise Ratio .....Better than 60dB
- Input Sensitivity/Impedance.....Mic Input 2mV/600Ω  
Aux Input 150mV/1KΩ  
Telephone Input 0.775V/600Ω

#### ■ GENERAL

- Power Source .....AC 220V–240V
- Weight .....4.4 Kg
- Dimensions .....290(W) × 76(H) × 196(D) mm

\*Specifications and design subject to change without notice for improvements.

**interM**

MADE IN KOREA  
NO: 9007931102A